

DX News

•Serving DX'ers since 1933•

Volume 62, No. 13 - December 26, 1994 (ISSN 0737-1659)



Inside...

2 .. *AM Switch*

3 .. *DDXD*

10 .. *IDXD*

18 .. *All Soul's Day*

19 .. *IDXA*

20 .. *GYDX-1340*

24 .. *WPNA Profile*

27 .. *Pro Sports Nets*

34 .. *Review: DX'd Handbook*

46 .. *Mustangs*

CPC Test Calendar

WNQM	1300	Dec. 26, 1994	0400-0430
WWSW	970	Jan. 2, 1995	0000-0030
CHEF	1450	Jan. 2, 1995	0000-0600
KIUP	930	Jan. 7, 1995	0715-0745
WSUI	910	Jan. 9, 1995	0100-0130
KTNS	1090	Jan. 9, 1995	0800-0900
KUAU	1570	Jan. 15, 1995	0501-0530
WPWA	1590	Jan. 16, 1995	0000-0030
WVWI	1000	Jan. 16, 1995	0200-0300
KUAU	1570	Jan. 16, 1995	0501-0530
KICY	850	Jan. 21, 1995	0530-0600
WXRS	1590	Jan. 21, 1995	0000-0030
KSYG	1010	Jan. 23, 1995	0315-0330
CFRY	920	Jan. 30, 1995	0100-0130
KIYU	910	Feb. 6, 1995	0500-0530
WWOL	780	Feb. 11, 1995	0200-0400
KNZZ	1100	Feb. 12, 1995	0300-0330
KGYN	1210	Feb. 13, 1995	0200-0230
WREN	1250	Feb. 14, 1995	0100-0200
KERR	750	Feb. 20, 1995	0200-0230

CHEF-1450 - 76 rue Dufferin - Granby, Quebec J2G 9L4, Canada will conduct a DX test between 12:00 and 6:00 am EST Monday, Jan. 2. The test will include Morse code ID's and will be run at 10 kW using the daytime antenna pattern. Reports may be sent to Mr. Sylvain Brunello VE2SBC, Technicien. Note: It is recommended that reception reports be written in French. Arranged by J. D. Stephens for the IRCA CPC.

KUAU-1570 - P. O. Box 565 - Kuau - Maui, HI 96779 will conduct two DX tests on Sunday, Jan. 15, and Monday, Jan. 16. The test will include Morse Code ID's. Reception reports may be sent to Mr. Richard Miller, Owner. Arranged by J. D. Stephens for the IRCA CPC.

From the publisher ... Don't forget to sign up for Ernie Wesolowski's Third Annual Fremont, NE DXpedition January 27-29. Accommodations are excellent, by the way, and the DX is good, too! Reservations must be in by January 16, and only 11 guests will be able to join Ernie. Contact him at (402) 330-7758 for more information.

We again are calling for one or more volunteers to represent the NRC at the 1995 Winter SWL Festival in Kulpville, PA March 16-18. You'd be asked to present a five-minute talk concerning the NRC's

club activities, publications, etc. to hobbyists attending the Forum. We've also been able to sell a significant number of NRC publications at the event. Any and all interested should contact the publisher at Topeka for details.

ANARC also has decided to "collapse" the various annual awards to one award, the "North American DX'er of the Year", with the "International DX'er of the Year" award remaining. This topic will receive discussion by the various ANARC Executive Board members at Kulpville. Personally, I'm glad to see the moniker "Specialty Band DX'er" go by the wayside, and as an ANARC rep and a member of the Executive Board for two years, I've fought for equal representation of AM, FM, TV, longwave, and utility band DX'ers alongside SWL's and HAMS (and received some nasty mail in return). Perhaps now we'll receive a little more respect.

Having been voted out of office, I am completing my term on ANARC's Executive Board December 31 but will continue as NRC's ANARC club rep more by default than anything else. I wouldn't mind someone with a little more time and energy than I nominate myself/herself next August and take over the job. It's not a very taxing one, but you'd have to be willing to write periodic reports to be reprinted in DXN (hopefully, more than I have, hi). Give it some thought!

DXChange ... John M. Sheehy - 1240 Maricopa Drive - Oshkosh, WI 54904-8121 is offering for sale a low-pass filter (52-72 Ohms, LF-601, manufactured by Bud Radio, Inc. Contact him for the price.

Welcome to these new members: Bob G. Mahrenholz, Tullahoma, TN; Bruce Whistance N2ZAC, Kingston, NY; Donald K. Kaskey, San Francisco, CA (rejoins); Allan G. Dunn, Holbrook MA; and Bill Hodges, Nocona, TX.

DX Time Machine

From the pages of DX News:

50 years ago ... from the Dec. 30, 1944 DXN: Harold Wagner, N. Girard, PA heard 55 LA stations between 1 and 4 am Christmas morning. Al Bartholomew, Corning, NY logged CMK-830, CMBL-860, CMCB-1330, CMKC-1250, CMX-1010, and CMJL-920 during the same period.

AM Switch

Jerry Starr
c/o WHOT Radio
4040 Simon Road
Youngstown, OH 44512-1320

Status changes in AM stations, supplied by the FCC and listeners

CALL LETTER CHANGES

Old call	New call	State	City	Comments
550	WAME	NC	Statesville	WHYM
1450	WMOC	TN	Chattanooga	WLMR
1560	*New	WI	Altoona	WJAP

KNOM

BOX 988, NOME, ALASKA 99762



APPLICATIONS FROM EXISTING FACILITIES

1110	KTLD	LA	Pineville: power to 2000 watts
1190	WOWO	IN	Fort Wayne: reduce night power to 9800 watts (this will include a modification in the night directional pattern)
1190	WLIB	NY	New York: add 30000 watts nights (no antenna specifications were supplied with this information except that there will be a "change in antenna system" so more will be forthcoming)

GRANTS TO EXISTING FACILITIES

560	WHND	MI	Monroe: add 14 watts night, relocate transmitter site, antenna to U3
710	KUET	AZ	Black Canyon City: relocate day transmitter site (station is presently silent)

OTHERNESS

690	KUSD	SD	Vermillion: license CANCELED, station's tower toppled and State Board elected to not spend the funds to rebuild it, University of South Dakota still has high powered KUSD-FM and evidently felt the AM was no longer needed
750	WPDX	WV	Clarksburg: silent station is ON THE AIR after transmitter repairs
890	WBMA	MA	Dedham: new station now operating fulltime (had previously been on days only)
960	WLPR	AL	Prichard: silent station is ON THE AIR
1090	WXBK	AL	Albertville: silent station is ON THE AIR
1270	KTRT	OK	Claremore: owner Fred Weinberg claims that he will take this 1270 kHz facility off the air on "the very first day" he puts his new 1640 kHz expanded band station on the air; this may very well be the first operation on the new band
1300	KDOV	OR	Phoenix: CP for 20000/5000 is on (corrects our listing in Issue #11 when we left a zero off their night power.
1610	---	--	Caribbean Beacon on Anguilla has announced the upgrade of their 1610 kHz facility from its present 50000 U1 (they share a single tower with their 690 kHz station) to 200000 watts into a directional antenna system with a gain of 12.5 db. Put away the calculators; we did the math for you. Their effective radiated power will be 3500000 watts (that's 3.5 MEGA watts pointed toward the U. S.) This can't be good news to WEUP in Alabama, which plans to move to 1610 kHz.

THANKS: Wayne Heinen, Bill Swiger, Ed Krejny and MSJ

73 and Good DX,

Jerry & BK

Jerry Starr & Buffalo K. Foonman

**What a Time-saver -- the
County Cross
Reference**

A complete list of counties, parishes, and similar political divisions in the U. S. and Canada. Two lists are included: alpha by county, and by state. Compiled by Bill Hale and designed and produced by Wayne and Joan Heinen. \$4.95 for members, \$8.95, non-member. Order item CCR from the NRC Publications center; NY residents, please include sales tax.

Domestic DX Digest

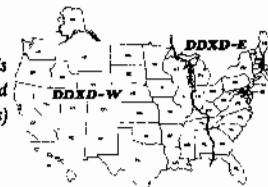
West: Bill Hale MTFH12A@Prodigy.com
495 Creekview Drive - Meridian, ID 83642-3241

East: Dave Braun 73520.657@compuserve.com

11 Mill Bend Acres - Wyoming, DE 19934-9523

DX Catches in the U. S. and Canada, with 24-hr. FLT

(Division line is
between East and
Central time zones)



DDXD-West MEDIUM WAVE RAMBLINGS

- * A courtesy letter from KBCQ-1020 to Jerry Starr indicates that this station has resumed 24 hour operation effective November 21. Regular Monday morning silent/maintenance periods will be observed from 0200-0700 ELT. Verne signer is Don Niccum, Chief Operator/Engineer. The address indicated on the letter says P.O. Box 670, Roswell, NM 88202-0670. Since I heard them early one AM, I called station, and got some more updates. See Special.
- * A nice GY update received from Don Trelford keeps me busy on the other side of the room. Shawn garners yet, another GY record from Winterpeg. A note from Rod sez he's been across the lower 48 and has returned to Kodiak, via North Pole. Not THE North Pole. Just North Pole, Alaska. He'll be looking for the HCJB test, too. And yup. Jim claims another GYer, too.
- * SRS and SSS DXing are, by far, my favorites. Especially during these frosty months. With the sun only 23 degrees above the southern horizon here during this time of year, great things happen on the old MW band.
- * Remember the proper reporting procedures... arrange your catches in frequency order, divided into the proper groups. Report DX only, and Eastern Time is our standard. Remember, you have only a few loggings to report, whereas we have to arrange many. Electronic reports are welcome at the above address.
- + We've worked our way to the annual end-of-year break. See you in a fortnight.

REPORTERS

- SA-MB Shawn Axelrod Winnipeg ICOM R-70 with filter mods and PLAM board + 4' box loop or 100' lw
- RO-AK Rod O'Connor Kodiak trusty 11-year-old GE Superadio I with 4' loop
- RS-MO Rocky Stone Hollister Kenwood R-2000, SM-1 or Nissan car radio (with world's worst avc) [via E-mail]
- JB-TX Jim Boehm San Antonio ICF-2010 + up and downspout antenna/Radio West Loop
- GS-TN George Smith Decherd Superadio II with internal antenna
- BR-CA Bruce Reynolds San Jose Superadio II
- JE-MN Jon Ellis Maple Grove [via E-mail]
- NAP-AL Neal Perdue Madison ICF-SW30 + McClintock Black Box
- Ed-ID Editor Meridian ICF-2010 alone, or * Delco AM\$/FM\$ ETR

SPECIAL

- 620 KIDD CA Monterey - 12/2 - This one rose from the dead with Magic 63, NOS, and CNN News on the hour. (BR-CA)
- 1020 KFFR AK Eagle River - is silent Went off the air in late October. Confirmed last week when I was weathered out in Anchorage. No answer to phone calls. (RO-AK)
- KBCQ NM Roswell - 12/7 0645+ - Good signal, over KTNQ, with light AC (Seals and Crofts, etc) and lots of Roswell mentions in ads and news. ABC News at :00. Call to Don Niccum (CE) on 12/9 confirms their format change from C&W. Seems there are 4 C&W FMers in the market, and they were getting killed. They carry Bruce Williams from 2000-2300 and Jim Bohannon from 2300-2400. Then to satellite-delivered REL to 0700 (all times ELT). Also affiliated with FNN for stock updates. So there's the scoop. [Ed-ID]
- 1250 KZEP TX San Antonio - 11/29 - Has returned to these CLs, retaining same 55 satellite service, Radio Labio. Call to station at number in Log confirmed CL change. Also news that there is a possibility that AM will be simulcast with FM after first of new year. (JB-TX)



1450 WTKI AL Huntsville - Follow-up to question I posed in Issue 10 about this station programming talk, where Log says "GOS" comes from Neal Perdue . . . "WTKI is TLK now, not GOS, at least at night . . . slogan is *We're the talk of Huntsville*". (NAP-AL)

UNIDs

650 EERUE- ?? - 12/5 1830 - This CW signal rides on WSM's for one hour either side of sunset every night . . . was reported recently . . . sounds like Long Wave Directional Finder . . . anybody know who? Wha? Huh? (RS-MO) [Any Low Downer's out there that can help? - Ed.]

1570 UNID MA? - 12/5 0600 - Weak, but clear announcement *WDIS Norfolk, Massachusetts* and mention of other stations. *WDIS* is on 1170. Could this be *WPWP Taunton, MA?* Is there a connection between the two?? (NAP-AL)

DX AND EQUIPMENT TESTS

570 WMAM- WI Marinette - 11/28 0100 - Not heard. Only CKY slop. (SA-MB)

590 KGLE+ MT Glendive - 12/5 0300-0330 - Heard with TTs and CIDs. (JE-MN)

940 CJGX+ SK Yorkton - 11/28 - Very poor, with two CIDs at 0113 and 0123. CJGX repeated several times. Heard under XEQ and KLXZ in weird conditions. (SA-MB)

CJGX- SK Yorkton - 11/28 - Not heard. Only rock solid regular KFRE with nothing beneath them. (RO-AK)

1150 WHBY- WI Kimberly - 12/5 0100-0200 - Not heard. due to KLRG/unID UC station/etal. (NAP-AL)

1370 KFJM+ ND Grand Forks - 11/28 0130 - Very good signals with CIDs at 0133, with mentions of the IRCA during the *Jazz Overnight* program. (SA-MB)

1580 WVKO- OH Columbus - 11/28 0130 - Not heard. Only CKMW splat, and CB]. (SA-MB)

MIDNIGHT TO 0800 HOURS ELT

620 WRJZ TN Knoxville - 12/6 0630 - Stalking this frequency, looking for elusive KTAR-AZ and this one popped up with Tennessee news and sports . . . nice surprise! (RS-MO)

KWFT TX Wichita Falls - 12/6 0758 - Semi regular, with agriculture report into CBS News . . . I know KTAR lurks around the corner . . . will maintain vigilance . . . did someone say "Target DX"? (RS-MO)

CKCK SK Regina - 12/4 0313 - With SRN Good Time Oldies, over/under WTMJ. ID *All Oldies-620 CKCK*. (JE-MN)

830 CKKY AB Wainwright - 11/18 Midnight - Thanks to a few seconds of dead air on KNCO, finally got a clear ID on this one. (BR-CA)

1060 WRHL IL Rochelle - 12/6 0730 - Fair with news, WRHL ID's, weather, and ads. Lost to WHFB at 0736. (JE-MN)

WHFB MI Benton Harbor - 12/6 0736 - With Nostalgia, then lost to WRHL just before 0730. Back at 0736 with AM 1060 WHFB. (JE-MN)

1140 KGEM ID Boise - 12/6 0135 - With NOS and *Kay-gem* mentions. Through KHTK during a good opening to the north. The best thing about talk radio is that it's easier to hear other stations behind them. (BR-CA)

1220 WSLM IN Salem - 12/5 0730 - Put the SM-1 to work on local KOMC and came up with this doing a farm report . . . real day job afforded me this pleasure . . . how do you guys do it? (RS-MO)

1230 WCBT NC Roanoke Rapids - 11/28 0010 - Poor, with WCBT ID clearly heard. In a mess due to auroral conditions. (SA-MB)

1450 XEJM NL Monterrey - 12/1 0540-0622 - In and out with US station carrying CNN News, with clear CLs and city at 0545 and CL again at 0549 and 0613. Only commentary and news heard. New. (JB-TX) [Record at 282 miles - Ed.]

1550 KXOJ OK Sapulpa - 12/5 0400 & 0500 - *KXOJ, Sapulpa-Tulsa*, FM frequencies per AM Log (approximately). [Huh? - Ed.] Listed 47 watts nite power. Editor Bill figures 537 miles. Comes out to 11.5 miles per watt. My best low power ratio so far. (NAP-AL)

1600 KGST CA Fresno - 12/8 0645+ - With SS talk and music (sounded satellite-fed). Heard many times. Suspected this, but never heard a legal EE ID until today at 0702. [Ed.-ID]

0800 TO 1600 HOURS ELT

630 KHOW CO Denver - 11/29 0850 - In clearly, over KRCV, with news, weather, traffic and local comedy bits. (BR-CA)

1210 KRSV WY Afton - 11/30 0905 - A welcome catch. Atop with sports, local ad and community calendar. (BR-CA)

1440 KODL OR The Dalles - 12/9 1100 - With C&W music, DJ chatter, legal ID including slogan as in Log, then *It's eight O'Clock in the country* into CBS News. Fair, with slight fading. [Ed-ID*]

1500 WBRI IN Indianapolis - 11/26 0800 - Fair, with *The pioneer gospel voice of Indiana*. 1500 WBRI. (GS-TN)

1600 TO 2400 HOURS ELT

620 WKNI AL Lexington - 12/6 1730-1800 - Sports talk with many WERC 960 Birmingham ID's then *KNI Sports* at 1759 into CBS News . . . thought I'd lost my mind . . . or receiver. (RS-MO)

WJDS MS Jackson - 12/6 1845 - Another sports talk show with ID's and phone numbers . . . looks like I'll clean up this channel while waiting for much-needed KTAR. (RS-MO)

660 WBLX AL Fairhope - 11/29 1746 - Fair, with ad for body shop and wrecker service. Mention of *Classic Soul* and *Solid Gold Soul*. Sign-off at 1800. (GS-TN)

690 WTIX LA New Orleans - 12/3 1858 - Poor, with slogan *Hot Talk Radio* and into news. (GS-TN)

770 WVNN AL Athens - 12/5 1830 - Had memory button on car radio set here to see how early KKOJ would come in and this was all alone with local news. (RS-MO) [The DX gods work in strange ways - Ed.]

860 KAPN UT Salt Lake City - 11/27 2015 - All-news format, penetrating SS talk on KTRB. Joint promos for news on 860 and talk on 1320. (BR-CA)

1030 WXSS TN Memphis - 12/5 1800 - With GOS . . . has been the dominant station nightly since September . . . have they made transmitter or pattern changes? (RS-MO)

1050 CHUM ON Toronto - 11/25 2124 - Poor, with lots of fading and interference. Ads for imported rugs and '95 *Neon* from Chrysler. SID not readable. Back to oldies. Later, VID as *1050 Chum*. (GS-TN)

1060 WKNG GA Tallapoosa - 11/29 1715 - Fair, with *Paul Harvey*, jewelry and food store ads, and church Christmas announcements. (GS-TN)

1070 CHOK ON Sarnia - 11/23 2044 - Poor, with young girl on phone, answering the question "What is the dumbest thing you ever did?". Her answer: *I just knocked over the Christmas tree*. Heard good ID on a peak. That's a switch. Then into sing-along with oldies. (GS-TN)

1080 WTIC CT Hartford - 11/23 1750 - Ads for *Panasonic Batteries*, a clothing store, and fast photo store. Then news with *Dan Rather*. CT #1. (GS-TN)

1190 KGBS TX Dallas - 11/24 1920 - Good, with talk with *Don Taylor*, author of *Up Against The Wal-Mart*. (GS-TN)

1550 KUAT AZ Tucson - 12/9 1805 - Excellent, with local news items including mention of Maricopa County. TC of *4-Oh-7* and into NPR's *All Things Considered*. First story about the firing of Surgeon General Joycelyn Elders. [Ed-ID*]

1580 WPGC MD Morningside - 11/25 1630 - Fair, with ad for newsletter, then news and stock market report. (GS-TN)

1590 WAKR OH Akron - 11/29 1921 - Poor, with man and woman discussing the GATT agreement. Weak, fading in and out. Took some time to get a good ID. (GS-TN)

580 CKPR

87 N. HILL STREET
THUNDER BAY, ONT
P7A 5V6
PHONE (807) 344-3526
FAX (807) 345-4671

CJSD FM...

GRAVEYARD DX UPDATE

* indicates North American record

1230 kHz:

WCBT	NC	Roanoke Rapids	Shawn Axelrod	Winnipeg, MB	1337
------	----	----------------	---------------	--------------	------

1240 kHz:

WSNY	NY	Schenectady	Don Trelford	Scarborough, ON	289
HICV	DR	Santo Domingo	Don Trelford	Runaway Bay, JMC	483

1340 kHz:

KVBR	MN	Brainerd	Don Trelford	Runaway Bay, JMC	2159
KXXY	OK	Oklahoma City	Don Trelford	Runaway Bay	1711

1450 kHz:							
WCTC	NJ	New Brunswick	Don Trelford	Scarborough, ON	(Tie)	349	
XEJM	NL	Monterrey	Jim Boehm	San Antonio, TX		282	

Totals:	1230	1240	1340	1400	1450	1490	Total
Don Trelford Runaway Bay, Jamaica	2	4	4	1	2	5	18

DDXD-East NEWS AND VIEWS

Good to hear from *DDXD-West* reporter Neal Perdue, who is requesting help from the *DDXD-East* crowd on an UNID from MA. Thanks for the card, Neal.

Mike Brooker and Morris Sorenson both let us know of CKBB's move to FM, and Mike is already racking up the logs on 950!

Tom Beaton says "I've been trying for some DX tests but no luck. I read an article about MW DXing in *Pop Con's* annual edition. It said to leave the bandwidth filter in the 1.8 khz position during DX tests to have a better chance of getting the code by reducing QRM from stations on the same frequency. I'll give that a try next time."

And, as Robert Tiara says, "Some nice tests with lousy results. Guess what...the Sun blew up again!!!"

No DXN next week for the holiday break, see you in two weeks.

SPECIAL

560 WHND MI Monroe - Finally went to brokered format 11/28. 0600-1200 is in EE with a mix of OLD and CW. 1200-1800 sign-off is SS. No longer on to 2400. Hints were made that they were going to be 24 hours, but I doubt it will ever happen. Good luck to those in the fringe trying to discern whether they are listening to this or WIND. (JL-OH)

760 WCHP NY Champlain - I was able to check on some afternoons in the month of November per *AM Switch* in Vol. 62, No. 5. They sign-off at 1630 and inform the listeners that they resume at 0645 the next morning. They are a regular here, and I have never heard them on 750. (DP-PQ)

830 WCRN MA Worcester - 12/5 1400-1530 - New station noted on the air with good signal relaying WROL-950 "Boston's Yankee Kitchen Program" with Gus Sanders. (RA-MA)

WCRN MA Worcester - 12/5 1859 - Noted on regular schedule. They were running religious programming parallel to Boston's WROL-950. ID heard at 1900 "This is 950 WROL Boston and 830 WCRN Worcester". The 830 signal was a bit over CFJR on the west sloper and it was pretty much buried by a CFJR, St. Kitts, and Venezuela stew on the east sloper. When you hear preaching on 830, check the parallels: if //950, it's WCRN, if //7510, it's St. Kitts. Use of directive receiving antennas can also resolve this. (MC-MA) Additional info - this can run programming independent of WROL during the day, as noted 12/6 1155. (MC*MA)

950 CKBB ON Barrie - 11/16 0730 - With endless announcement "CKBB 950 AM is no longer on the air. Now for the best variety of music from the 70's, 80's and 90's, and local news and information, switch to 101.1 FM, Barrie's new B-101 FM." (MB-ON)

CKBB ON Barrie - 11/17 1359 - Good with continuous tape loop "CKBB 950 AM is no longer on the air. Now for the best variety in music from the 70's, 80's and 90's, and local news and information, switch to 101.1 FM. Barrie's new B-101 FM." Will probably be silent by the time you read this. (MS-ON)

960 WFGL MA Fitchburg - 12/6 1205 - On the air with folkish contemporary Christian music ID "New Life Radio, WFGL, Fitchburg" was heard at this time. Signal was fairly weak for a 40-mile distant station: it sounded like about 250 watts. WROL-950 slop was bad and other co-channel junk (likely WELL, CHNS) was evident in the background. (MC*MA)

DX TESTS

570 WMAM WI Marinette - 11/28 0100-0300 - Not heard in several checks during test period in extreme auroral conditions. (RA-MA) ...Not heard because first timer WAAX was in like a ton of bricks. (JL-OH)

600 WFRM PA Coudersport - 11/21 0200-0230 - Barely audible under WICC, Cuban with code IDs at tail end of test. (RA-MA)

940 CJGX SK Yorkton - 11/28 0100-0130 - Tried but not heard in horribly auroral conditions. (RA-MA) ...Not heard, only Cuba loud and clear. (JL-OH)
1150 WHBY WI Kimberly - 12/5 0100-0200 - Not heard, just WMEX and CKOC. (RA-MA) ...Nothing heard. (RT-NC)
1460 KLTC ND Dickinson - 12/6 0230-0330 - Tried but not heard. (RA-MA) ...Nothing heard (RT-NC)
1580 WVKO OH Columbus - 11/28 0130-0200 - Not heard. (JL-OH)
1590 KDEX MO Dexter - 12/3 0105-0130 - Not heard. (RA-MA) ...Nothing heard. (RT-NC)
1590 WTRW WI Two Rivers - 12/4 0530-0600 - Tried but not heard. (RA-MA)

UNID AND UNID HELP

830 UNID 12/6 0230-0249 - Heard EZL/BFL music under my other UNID (below), assume this was the new MA station testing. No IDs heard on the hour, or at any other time. A weak WCCO in the background. (RT-NC)

830 UNID 12/6 0245-0300 - Testing with OC, TT and EZL/BFL music, later heard with *AP News* at 0300 followed by weather. Next heard the beginning of an ad for "Southwestern Bell Mobile Phones at Don's..." and then abruptly cut off. Assume this was KBOA-MO testing. KBOA heard here regularly on SSS. (RT-NC)

940 WCIT? OH Lima - 11/23 2330 - Poor with "News-Radio 940" IDs and *Bohannon Show*. Thought I heard these calls, but only 6 watts listed at this time. Anything more likely? (JR*MD) (WINZ? - db)

1140 WWXY-FM 11/21 1633 - Thought I heard these calls under WRVA with CW music. (JR-NY)

1400 UNID 12/19 0010-0100 - FF talk and music //CKAC-730, probably CJFP, but still can't get an ID out of them. When does this network have local IDs? (DB-DE)

1480 UNID 12/9 2348 - Ad for *Georgia Lottery* into *The Sports Fan Radio Network*. Had also heard this sports talk network on 11/28 0216. Presumed WRDW, but no ID heard. (DB-DE)

1570 WY?? 12/3 0610 - Poor with CW. (JH-NJ) (I would guess WYTI-VA, pretty regular at SRS and SSS here - db)

1570 UNID MA - 0600 - Looking for SSS and sure caught one. Announcement by local announcer mentioned "WDIS, Norfolk, Massachusetts" and a few other stations (not caught). WDIS is on 1170. WPEP-Staunton, MA? Is there a connection between WDIS and WPEP? Please help! Thanks. (NAP-AL) (Well, they're both shown with talk formats, but you probably knew that already - db)

0000 to 0800 ELT

730 WPAL SC Charleston - 12/5 0529 - Presumed with weather, "Power 73" ID, phone talk, no calls, fair-poor. (DY-CT)

740 CHCM NF Marystown - 11/19 0500 - Good with ID for VOCM, news mentioning Marystown and Hibernia oil field. (MS-ON)

990 WEEB NC Southern Pines - 11/28 0359 - Poor under UNID oldies station, possibly CKIS, with talk show, local station break, call letter ID. (MS-ON)

1030 WXSS TN Memphis - 12/6 - In at a little below local audio levels (has been of late). Completely covering over WBZ, maybe running day rig at night? (RT-NC) (No time given - db)

1080 WKGX NC Lenoir - 12/3 0645 - Fair in partial KRLD null with ads for *American Trading Hall* and *K&K Auto Parts*, weather forecast, ID as "Stereo 1080, WKGX". (MB-IN)

1380 WNRI RI Woonsocket - 12/5 0541 - Local events calendar, ID, good over WKDM, new. (DY-CT)

1400 WINC VA Winchester - 12/10 0056 - ID only popped up while trying to ID dominant FF talk. First time heard here. (DB-DE)

1460 WKRP IN North Vernon - 12/6 0241 - Fair with SMN NOS. Many plug in IDs "1460 WKRP", new. Heard while waiting for KLTC test. (RT-NC)

WGNA NY Albany - 12/6 0230 - Received while trying for the KLTC DX test. CW music, "WGNA/Lakeland Circle Mall \$107,000 Dash For Cash" contest promo, and local ads for *Hoffmans Restaurant*, *Sans Club* and *Viennas Country Gift Shop*. ID "Country 107.7 WGNA FM. Playing today's hot new country and a variety of more favorites." (TB-MA)

1510 WWHN IL Joliet - 12/2 0745 - Fair with traffic report, ID, GOS music. Finally nailed this one under WLAC. (MB-IN)

1570 WBEE IL Harvey - 12/3 0655 - Fair, in/out with female DJ giving call letters, plug for REL program. (MB-IN)

WANKR OH Warren - 11/20 0722 - Poor with promo for "ESPN Sports Page weekdays on WANKR", into sports talk on Cleveland Browns. QSLd as WOKG in 1984. (MB-ON)

0800 to 1600 ELT

- 1270 WSPR MA Springfield - 12/3 1545 - SS songs, ID "Radio Parente, WSPR" at 1559. Good. (DP-PQ)
- 1350 WEZS NH Iaconia - 11/19 1156 - ID then into music, poor. (DP-PQ)
- 1500 WFIF CT Milford - 11/19 1220 - Religious music, ID at 1230, "61 degrees in Milford". poor. (DP-PQ)
- 1550 WNTN MA Newton - 11/19 1247 - Advertisement for a concert in Lawrence, then gave a phone number in the 617 area code (which corresponds to this station's area code), music bar until fade. (DP-PQ)

1600 TO 2400 ELT

- 540 WGTO FL Pine Hills - 11/22 2153 - *American Sports Radio Network*, local ads, "WGTO Pine Hills-Orlando" ID, fair with CJSB, UNID SS in WLIX null. Now fairly regular with CJSB off (DY-CT)
- 550 CFNB NB Fredericton - 12/1 1721 - Local ad, ID, weather, "CFNB 550" ID, didn't seem to be GTO. (DY-CT) (Is GTO all day or just overnight? - db)
- 570 CJEM NB Edmundston - 12/3 1750 - Good, CJEM/CKMV IDs and French CW music, over WMCA. (BC-NH)
- 590 CKYC ON Toronto - 12/4 2100 - Fair, Canadian Association of Broadcasters including station address, IDs as "Real Country, Country 59", and CW music, under/over CKRS and WBNW. (BC-NH)
- 600 CFCH ON North Bay - 12/4 2130 - Good with "North Bay's best mix of today's hits and yesterday's favorites", over *R Rebelde-Cuba*. (BC-NH)
- CIQC PQ Montreal - 12/7 1648 - In good with U.S. Oldies music including *Twist And Shout* by the Beatles. //CFCX-6005 shortwave. (TB-MA) (I'm not sure the Beatles are U.S. oldies! - db)
- 620 WHEN NY Syracuse - 12/7 1700 - Good with ID "You're listening to the talk station for all of central New York. Talk Radio 620 - WHEN Syracuse." Into the 5 P.M. edition of *News Watch 620*. (TB-MA)
- 640 WWLS OK Moore - 11/27 1940 - Poor with ID, ad for *Truton Appliances*, sports talk. Local WBOW off due to electrical storm. UNID SS QRM. (MB-IN)
- 690 WOKV FL Jacksonville - 12/7 1714 - On top of channel with a political talk show by Mike Warwick. He announced the station was bribing listeners to stick around for the second half of the show by giving away a terrible politically incorrect prize suitable for hanging in a male environment. Local ads for *Scott Alarm* and *Bay Meadows Golf Shop Pro Shop* before giving way to that pesty *Dr. Gene Scott* show on the Anguilla station. (TB-MA)
- 780 CFDR NS Dartmouth - 12/1 2204 - Clear as a bell with "Kicks" slogan. (JR-NY)
- 840 WKTR VA Earlysville - 12/1 2120-30 - *Christ in Prophecy* program conclusion, then ID, then gone. (JR-NY)
- 900 CKTS? PQ Sherbrooke - 12/1 1744 - Presumed the one relaying CJAD-800 Montreal, ads, traffic, weather, CJAD ID's, fair in CHML null. (DY-CT)
- 950 WIBX NY Utica - 11/22 1700 - Fair with "WIBX Utica-Rome" jingle into *CBS News*. (MB-ON)
- WPEN PA Philadelphia - 11/17 0705 - Fair in nulled WWJ with announcement "WPEN news time is 7:05" into sports report sponsored by *Harrah's* in Atlantic City. (MB-ON)
- WCNZ WI Sheboygan - 11/16 1714 - Fair over WWJ with ad for *Federal Express*, then announcement "We'd like to hear from you...write to us at WCNZ, P.O. Box 537, Sheboygan". Heard as WKTS in 1990. (MB-ON)
- 970 WFLA FL Tampa - 11/22 2250 - Presumed with local mentions under WWDJ. (DY-CT)
- WCHN NY Norwich - 12/1 1747 - Ads, ID fair under WWDJ. (DY-CT)
- 980 WWRC DC Washington - 11/26 2100 - Talk show on new DC police chief, ID, *NBC news*, good, atop channel. (DY-CT)
- 1120 WUST DC Washington - 11/21 1700 - Heard with calls and power drop announcement. (JR-NY)
- 1140 CBI NS Sydney - 12/3 1805 - *CBC news* in nice with CJTR silent, over WRVA. (BC-NH)
- 1160 WPIE NY Trumansburg - 12/3 2345 - CW music, ID at 0010, phone number for "learn how to play harmonica"! Poor-good, 310 watts? (DP-PQ)

- 1200 WKRL NY North Syracuse - 12/1 1800 - Fair with ID "WKRL AM and FM 100.9, North Syracuse". Still doesn't explain why I heard mentions of Rome/Utica area in No. 9. Perhaps same owners? (JH-NJ) (See Russ Edmunds' info last issue - db)
- 1280 WWOK IN Evansville - 11/16 2357 - Fair-good with instrumental/vocal easy listening music, ID on the hour "We're WWOK Evansville, playing the great songs all day everyday in stereo" into *CNN News*. (MS-ON)
- 1290 WKNE NH Keene - 12/3 1646 - Music, weather, ID at 1649, news on Greg Lemond's retirement, ID "The mighty 1290 WKNE" at 1720. Good. (DP-PQ)
- 1300 WQBK NY Rensselaer - 12/3 2258 - ID at 2258, 2300 news, ad for *The Club*, mention of the world's biggest Christmas cake in Germany, ID "Newstalk Radio 1300 WQBK" at 2305 Fair. (DP-PQ)
- 1320 CKEC NS New Glasgow - 12/3 2247 - CW countdown, ads for *GMAC, Hall's*, ID "13-20 CKEC" at 2254. Good. (DP-PQ)
- 1350 CKDO ON Oshawa - 12/3 2010 - ID "GTO, 1350 CKDO" into music. Good. (DP-PQ)
- 1440 WRRO OH Warren - 11/19 2338 - ID at 2339, weather, QRM by two other stations. Poor. (DP-PQ)
- 1450 CHEF PQ Granby - 12/3 1630 - Fair-poor, *Weekend Rock n' Roll Radiomedia* network program. //CKAC-730 and CHR-1480. (BC-NH)
- 1460 WGNA NY Albany - 11/19 2327 - ID at 2328 between two CW songs. Poor. (DP-PQ)
- 1600 WAQY MA East Longmeadow - 12/1 2158 - "Rock 102, Springfield's Classic Rock" slogan. (JR-NY)

OTHER STUFF

- 530 UNID MD - 11/23 0855 - Heard under WNCI569 with Maryland traffic info. (JR*MD)
- 590 WTVJ222MD Montgomery County - 11/23 0900 - Heard with *Travellers Advisory Radio System* info. (JR*MD)
- 1610 KFB759 ME Acadia National Park - 12/8 1518 - In well with info for cross-country skiers and snowmobilers. Included was mention of a winter information center for assistance and current snow conditions, a bulletin board with park maps and info about what's open and closed, and a suggested carriage road for cross-country skiing. Remember to keep your pets on leashes at all times and leave only your footprints behind!!! (TB-MA)
- 1620 UNID 12/10 2224 - It was from Syracuse, NY and had local ads then ID as "WRTY" and "Rochesters Rocket 95". It gave a telephone request line #, 222-1222, and briefly played part of a Travelling Wilburys song. Then it went briefly into a different song briefly and ID as "Oldies 98-9 WKLY". Good times and great oldies. Oldies 98-9." It also gave a request line #, 222-WKLX. I didn't see any WRTY in the new *NRC Radio Log* but did find a WKLX 98.9 in Syracuse in the *M Street Radio Directory*. Is this a new station testing? Why two different IDs? (TB-MA) (May fit with the recent reports of AOR heard here - db)



REPORTERS

- RA-MA Ray Arruda, Acushnet, MA: HQ-180A, SX-122, Radio West and Palomar loops
- TB-MA Tom Beaton, Manchester, MA: Drake R-8, Mini MWDX-5X phasing unit, BUFAMP-1 Buffer/Amplifier Unit, 2-30 m slopers
- MB-ON Mike Brooker, Toronto, ON: Panasonic RF-2200, Panasonic RFB-45
- MB-IN Mark Burns, Terre Haute, IN: Drake R-8, Quantum loop, 80' longwire
- MC-MA Mark Connelly, WA1ION, Billerica, MA: Drake R8, two 37-m slopers to MWDX-5 phasing unit
- MC*MA Mark Connelly, WA1ION, Tewksbury, MA - parking lot at work: Car radio, car whip
- BC-NH Bruce Conti, Nashua, NH: ICF-2010 with Kiwa filter upgrade, MWDX-5, 30-m longwire, 23-m southeast sloper
- JH-NJ John Hanz, Old Bridge, NJ: Sony 2010
- JL-OH Jeffrey Less, Toledo, OH: Panasonic RF-5000A
- NAP-AL Neal A. Perdue, Madison, AL: Sony ICF-SW30
- DP-PQ Denis Picard, Trois-Rivieres-Ouest, PQ: ICF 2010, Kenwood R-5000, 35' indoor antenna
- JR*MD Jim Renfrew, JimRenfrew@AOL.com, Silver Spring, MD: Sony ICF-2010, Radio West Loop
- JR-NY Jim Renfrew, JimRenfrew@AOL.com, Rochester, NY: HQ-180, Radio West Loop
- MS-ON Morris Sorenson, Scarborough, ON: Panasonic RF-B65, GE Superadio II
- RT-NC Robert J. Tiara, Hendersonville, NC: R-5000, 24" amplified loop, many longwires
- DY-CT David Yocis, Darien CT: R71A, Kiwa Loop
- DB-DE Dave Braun, Wyoming, DE: R-5000, Quantum loop

International Jim Renfrew JimRenfrew@AOL.com 61 Wilcox Street Rochester, NY 14607-3832

DX Digest

Foreign DX Catches. Times are UTC; for ELI, subtract 5 hrs.

Well, I note that Paul is urging editors to use the "blue pencil" now, so please try to stick to the essentials in your loggings. Not much DX here, the buzz is back, and doesn't seem to quiet down until after midnight - probably a light or TV from one of my close and ever-changing neighbors.

TRANS-ATLANTIC DX

- 585 SPAIN Madrid - DEC 6 0142 - Fair with lady in SS talk through unusually heavy 590-WBNW slop.
- 603 SPAIN Sevilla / Palencia, DEC 8 2328 - SS talk & interspersed music; over a cluster of others. [Connelly*NH]
- 684 SPAIN Sevilla, DEC 8 2227 - man & woman in SS; good, pushing past WRKO. [Connelly*NH] DEC 11 0610 - Good, Spanish nostalgia // 855 with 684 the better of the two signals. [Conti-NH]
- 693 AZORES Santa Barbara, Terceira (t), DEC 8 2324 - muffled PP-sounding talk. [Connelly*NH]
- 711 unID, DEC 8 2322 - huge het ripping up WOR at times; Morocco suspected. [Connelly*NH]
- 738 SPAIN Barcelona, DEC 8 2321 - SS talk by man; fair to good through CBL/CHCM/WJIB slop. [Connelly*NH]
- 747 CANARY ISLANDS // SPAIN, DEC 8 2321 - SS talk over SAH; fair on peaks. [Connelly*NH]
- 756 SPAIN Bilbao, DEC 8 2320 - SS pop vocal; excellent. [Connelly*NH]
- 765 SENEGAL Dakar, DEC 8 2242 - AA dialect talk; fair to good. [Connelly*NH]
- 774 SPAIN, DEC 8 2258 - SS talk // 855; strong signal, but bad WABC slop could not be eliminated with the loop. [Connelly*NH]
- 783 SYRIA Tartus, DEC 8 2318 - female AA vocal; fair with some CFDR splash at times. Portugal not noted. [Connelly*NH]
- 792 SPAIN Sevilla, DEC 8 2318 - SS talk in WLKW slop. [Connelly*NH]
- 837 CANARY ISLANDS // SPAIN, DEC 8 2317 - fast SS talk by man & woman; HUGE. [Connelly*NH]
- 855 SPAIN Murcia et al., DEC 8 0313 - excellent with woman in SS. DEC 11 0641 - emotional SS shouting, fair to good with WEEL-850 phased. [Connelly-MA] DEC 8 2256 - SS talk by man; excellent. [Connelly*NH] DEC 7 0257 - Good with man and lady in SS talk. Pips at 0300. [Beaton-MA]
- 864 unID (EGYPT or MOROCCO), DEC 8 2315 - female AA chant; fair. [Connelly*NH]
- 873 SPAIN Zaragoza, DEC 8 0312 - man in SS; poor. [Connelly-MA]
- 882 CANARY IS La Laguna, [so far the best possibility] DEC 10 2212 - These days the first strong TA at sunset. Man in SS with what sounded like a religious talk. Could tie in with the spiritual singing I heard last week. [Dangerfield-PA]
- 891 ALGERIA Algiers, DEC 8 0310 - female AA vocal; S9+30, loud - whacking WBMA / WLS. DEC 11 0700 - noted with a fair to good signal at this late hour. [Connelly-MA] DEC 8 2314 - Koran-style chant; loud. [Connelly*NH]
- 963 PORTUGAL R. Renascenca, Seixal, DEC 7 0158 - Christmas music on a sax, 0200 pips, PP TC, but faded away very quickly. SIO 232. [Burnell-NF]
- 981 ALGERIA Algiers (t), DEC 11 0700 - big het, not much audio. [Connelly-MA]
- 1044 MOROCCO Sebaa-Aioum, DEC 8 2130 - Medi Un program playing "Run to You" by Bryan Adams; huge local-like signal. [Connelly*NH]
- 1044 SPAIN San Sebastian, DEC 11 0704 - SS news by man; atop Morocco. [Connelly-MA]
- 1062 DENMARK Kalundborg, DEC 11 0633 - reggae-style vocal, then Danish talk by man & woman; fair. [Connelly-MA]
- 1098 CANARY ISLANDS // SPAIN, DEC 11 0705 - SS talk; in slop. [Connelly-MA]
- 1107 SPAIN, DEC 8 0320 - SS teletalk with female talkmaster and a man on the phone; loud. DEC 11 0706 - SS talk, very good. [Connelly-MA]
- 1134 SPAIN, DEC 7 0601 - man in SS; to good peak. DEC 8 0612 - news by woman in SS; fair. [Connelly-MA] DEC 8 2210 - man in SS; in WBBR slop. [Connelly*NH]
- 1161 unID (SPAIN ?), DEC 7 0600 - possible SS talk (although it may have been FF; QRM was bad). [Connelly-MA]
- 1179 CANARY ISLANDS // SPAIN, DEC 7 0559 - fast SS talk by man; good. [Connelly-MA]
- 1179 SWEDEN Solvesborg, DEC 11 0624 - man & woman in Swedish, good with WHAM phased. [Connelly-MA]

- 1188 MOROCCO Casablanca - DEC 2 2147 - In clear but not real strong with FF vocals by a woman on a piano than FF talk by a man, // 1197 - Agadir. (My best catch of the year so far! Thanks to Mark Connelly for the parallel info!) [Beaton-MA]
- 1215 ENGLAND Virgin Radio, DEC 10 0335 - Good, weather forecast "... the worst of the wet weather will be in Northern Ireland and Scotland", "This is Virgin" ID, and '80s rock music. [Conti-NH]
- 1251 LIBYA Tripoli, DEC 8 0323 - male AA talk; good. [Connelly-MA]
- 1287 SLOVAK REPUBLIC / CZECH REPUBLIC, DEC 8 0608 - Slavic talk, mixed with other; poor, in slop. [Connelly-MA]
- 1296 SPAIN Valencia, DEC 7 0527 - SS talk by man & woman, then a portion of "The Entertainer" (Theme from "Sting") was played; signal was good on peaks, but fadey. [Connelly-MA]
- 1314 SPAIN, DEC 8 2213 - woman in SS; alone on channel. [Connelly*NH]
- 1314 NORWAY Kvitsoy, DEC 12 0325 - Fair, Christmas music including Jingle Bells and John Lennon & Yoko Ono's Happy Christmas, over RNE5-Spain. [Conti-NH]
- 1323 GERMANY Wachenbrunn, DEC 12 0505 - Woman in EE reading the news. Apparently still a Radio Moscow relay. [Dangerfield-PA]
- 1332 ITALY Rome, DEC 7 0553 - II talk // 1575; poor to fair in slop. [Connelly-MA]
- 1332 ITALY RAI, Roma, DEC 4, 2209 - II weather at end of news "Il Mondo in Dirette". Splatter from 1330, SIO 444. [Burnell-NF]
- 1350 FRANCE, DEC 8 0603 - a surprise here with FF choral Christmas music that was // 1557, atop for a while. A Canadian with Good Time Oldies // CHTN - 720 eventually took over. [Connelly-MA]
- 1377 FRANCE Lille, DEC 8 0543 - classical music and choral vocal // 1557; good, sometimes stronger than adjacent St. Pierre - 1375. Several high-band stations from France were good at the time. [Connelly-MA]
- 1386 unID's, DEC 7 0549 - multiple station pile, one had classical music. [Connelly-MA]
- 1386 KALININGRAD/RUSSIA R. Nederland, Bolshakovo, DEC 3 2129 - EE, ID and said to stay tuned for a program, 2100; pip, promo for "Sounds Interesting", news. SIO 444 [Burnell-NH]
- 1386 RUSSIA (KALININGRAD) Bolshakovo, DEC 8 0553 - woman in EE read a work of literature to the accompaniment of balalaika or mandolin music. This was followed, around 0559 by an announcement "This is the Voice of Russia World Service". Medium wave and shortwave frequencies were given and the "Midnight in Moscow" interval signal was played. The signal came up to an absolutely great level, booming in better than the adjacent domestics. This is my best ever reception of this except at shore sites. [Connelly-MA] (According to *NASWA Journal*, Radio Moscow was renamed Voice of Russia in October - Jun)
- 1395 ALBANIA Lushnje, DEC 7 0532 - woman in an eastern European language mentioned Tirana several times. Signal was extremely loud, like a local. DEC 8 0548 - eastern European talk, excellent. [Connelly-MA]
- 1404 FRANCE, DEC 8 0547 - classical music with choral vocals, // 1557; poor. [Connelly-MA]
- 1413 SPAIN, DEC 8 0546 - SS talk; poor with growl. [Connelly-MA]
- 1422 GERMANY Heusweiler, DEC 7 0533 - woman in GG; poor, very jumpy fading. [Connelly-MA]
- 1467 FRANCE Roumoules, DEC 8 2217 - religious EE talk by man & woman. [Connelly*NH]
- 1475 BENIN ORI Benin, Cotonou, DEC 3 2124 - FF news with items about Malawi and the Congo; // 4870 SIO 343. [Burnell-NF]
- 1512 BELGIUM Wolverson, DEC 6 2230 - Arm chair listening with a man giving the news in FF, and 5 minutes later, a woman spoke in FF. [Dangerfield-PA]
- 1521 SAUDI ARABIA Duba, DEC 6 2258 - Very, very strong signal with man doing Koran before 2300 sign off. No sign of Jeddah-1512. [Dangerfield-PA] DEC 8 0342 - male AA vocal; fair with WWKB phased. DEC 10 2237 - fast AA talk; peaking S9+40 on R8. [Connelly-MA] DEC 8 2122 - AA vocal & violins; loud. [Connelly*NH] DEC 10 0355 - Good, flute music (possibly the Ud music of the interval signal), then talk in Arabic. [Conti-NH]
- 1530 VATICAN, DEC 7 0537 - GG religious program // 6245; very strong, totally dominating the channel. DEC 11 0600 - Vatican IS, then religious talk in EE // 6245; over/under WSAI [Connelly-MA] DEC 8 0452 - Good signal with woman speaking in Hungarian. Over and under WSAI which I could phase by using the tilt feature of the KIWA inner loop without changing the outer loop setting. [Dangerfield-PA]
- 1539 GERMANY Mamflingen, DEC 8 0346 - man & woman in GG; occasionally getting by WPTB/CHIN - 1540. [Connelly-MA]
- 1544 CLANDESTINE (ALGERIA or MOROCCO), DEC 8 2122 - AA chant usually getting by WMYF - 1540 slop. [Connelly*NH]

- 1548 ENGLAND, DLG 8 0348 - BBC World Service // 5975; another Brit with choral music was mixing at times. [Connelly-MA]
- 1548 KAUAI VOA Relay, DEC 7 0126 - EE news and news reports. This frequency is usually a mess of Brit locals, but this time the only useful audio was the VOA, which was nevertheless very weak: SIO 232. Faded out by 0136, but noted again at 0202 in a tangle with resurgent Brits - SIO 222. [Burnell-NF]
- 1557 FRANCE Nice, DEC 8 0542 - classical music and vocals (maybe from Handel's Messiah) // 1377 Lille, BLASTING IN almost as loud as adjacent WQEW-1560. [Connelly-MA]
- 1557 MALTA Deutsche Welle, Cyclops, DEC 4 2159 - DW IS, ID in EE "This is Deutsche Welle Relay Station Malta", 2200 TC, ID in GG, news in GG. SIO 333. [Burnell-NF]
- 1566 TUNISIA Sfax, DEC 8 2121 - man in AA; big carrier with light audio, over others. [Connelly-NH]
- 1575 ITALY / SPAIN, DEC 7 0540 - II talk by woman evenly mixing with man in SS // 1584. DEC 8 0539 - female SS operatic vocal & guitar; fair to good, // 1584. [Connelly-MA]
- 1584 SPAIN, DFC 7 0540 - man in SS // 1575. DEC 8 0539 - female SS operatic vocal & guitar; good. This was // 1575. It's unusual to hear music on these stations. [Connelly-MA]
- 1593 unID (UKRAINE or GERMANY), DEC 7 0542 - either Dnipropropetrovsk or the Holzkirchen RFE station here with Slavic-sounding talk by a woman; to fair peak. [Connelly-MA]
- 1593 GERMANY R1: Holzkirchen, DEC 12 0402 - Good signal with soft string music followed by a woman speaking in a Slovak type language and a man at 040 in what sounded like the same language. [Dangerfield-PA]
- 1602 SPAIN R. Vitoria, Vitoria, DEC 7 0203 - SS news just ending "Radio Euskadi y Radio Vitoria, servicios informativos", woman chatted and introed Bryan Adams song at 0207. Over another Spaniard, SIO 332. [Burnell-NF]
- 1611 VAICAN DLG 7 0543 - Slavic talk by man & woman; excellent, much stronger than Anguilla - 1610. [Connelly-MA]
- 1609.5 NORWAY Rogaland R LCBTLX, DEC 11 0312 - Morse code beacon in well [Beaton-MA]
- 1612.5 SCOTLAND Wick R GKRI, DEC 11 0312 - Morse code beacon in loud. [Beaton-MA]
- 1615.5 HOLLAND Scheveningen R PCH, DEC 11 0321 - Morse code beacon in strong. [Beaton-MA]

Ben speaks "Conditions seem to be improving again, and I think the seasonal TA pattern seems to be shifting from the early season Spaniards, etc., to the middle season Germans, and I hope, the British, French, and Northern Europeans. I do enjoy reading Mark's E-Mail reports and comparing his loggings up in Massachusetts with mine down here. In general we are hearing the same TAs, but I notice as he does that what you hear changes several times during the course of an evening so if you are not listening at exactly the same time you could miss some good stuff. The other night, an hour after I gave up and went to bed at midnight, he began getting great signals from France. It also appears that when Mark DXes from various beaches up there he gets much stronger signals from the Atlantic Rim FAs than he or anyone gets from the interior. Apparently the skip drops fast when it hits the land areas. But the Central European signals often go straight to the interior." (and I'm getting none of them - Jim)

PAN-AMERICAN DX

- 531.9 TURKS & CAICOS - R. Vision Cristiana - DEC 9 0310 - Off frequency with SS religion, strong, still on this channel as of DEC 11 0930. [Yocis-CT]
- 535 GRENADA - Mark Connelly's tip regarding Radio Vision Cristiana on 531.9 made me look for Grenada, which I haven't heard with a decent signal since RVC popped up there. I've had them two nights (Saturday & Sunday) in a row now, just after 0400 with a newscast, then some sort of report. Kind of miss the old thing. [Funkhauser-ON]
- 540 MEXICO - XEWA Monterey - DEC 11 0931 - Canned ID, mentioning service to Mexico and U.S., call letters, power, into accordion music, good over WGTO. [Yocis-CT]
- 555 ST. KITTS & NEVIS Basseterre ZIZ, DEC 6 0328 - In well with calypso and reggae music. (one of my favorite Pan-American stations!) [Beaton-MA]
- 570 CUBA - with ticks and code IDs every minute, indicating a Reloj format. WRTH says the only Cuban here is a Rebelde outlet. [Dau-IA] (I believe this is the same station, but running Rebelde - Jim) 600 CUBA Urbana Nons DEC 7 0317 - In great with a beisbol game, then directlv into ballad music. R. Rebelde La Habana IDs, // 5025. [Beaton-MA]
- 720 VENEZUELA YVQE Porlamar, DEC 8 2304 - SS version of "Jingle Bells" was used as an advert for something in Porlamar at "Avenida 4 de Mayo"; good with CHTN looped. [Connelly-NH]
- 730 MEXICO XEX Mexico City - DEC 9 0303 - Mexican news in SS; fair. [Yocis-CT]
- 750 VENEZUELA, YVKS Caracas, DEC 8 2241 - Radio Caracas Radio ID & SS news; dominant. [Connelly-NH]

- 760 MEXICO XEABC ABC Radio, Mexico DF, NOV 11 1158 - In the clear with National Anthem, full ID, songs by popular American artists, SS horoscope at 1203. [Dvorak-WJ]
- 760 COLOMBIA, HJA Barranquilla, DEC 8 2300 - ID "R. Suceso, RCN", then SS news; loud, WJR looped. [Connelly-NH]
- 770 COLOMBIA, HJX Bogotá, DEC 8 2301 - RCN mentions, under WABC [Connelly-NH]
- 810 MEXICO XFRJ Radio Rey Reynosa, DEC 7 0002-0011 - SS pops, IDs as "810 - Radio Rey", long ad string with several mentions of Reynosa (there is another Radio Rey in Saltillo here per IRCA list) Strong and on top - a real suprise as listed 500 watts. [Moore-IA]
- 830 ST. KITTS - TBN - DEC 9 0248 - Very excited EE preacher // 7510, fair over a much more sedate unID domestic EE religious program. [Yocis-CT]
- 840 CUBA - Dobleve, CMW Santa Clara - DEC 9 0247 - Pop music, phone dedications, Santa Clara mentions, very good. [Yocis-CT]
- 885 MONTERRAT, 7JB Plymouth, DEC 8 2254 - local announcer in EE; poor. [Connelly-NH]
- 895 ST. KITTS & NEVIS Charlestown, DEC 8 2253 - soul music, man in Caribbean EE; fair in slop. [Connelly-NH]
- 920 MEXICO X-OK Monterrey DEC 7 0015-0020 - Romantic music, call ID, ads. Fair & on top. [Moore-IA]
- 940 VENEZUELA - R. Punto Fijo, YVMN - DEC 11 0924 - SS music, ID shouted over song, over Cuban (Reloj). [Yocis-CT]
- 1000 MEXICO XEOY R. Mil, Mexico DF, NOV 27 0353 - Weak through WMVP QRM with music, full ID using slogan "la estación de la ciudad", mention of 49 meter shortwave. [Dvorak-WJ]
- 1000 COLOMBIA - RCN, HJA Cartagena - DEC 7 0102 - "RCN, la radio de Colombia," fútbol promo, good over unID LA with mostly instrumental music, looping east of the Colombian [Yocis-CT]
- 1020 TURKS & CAICOS - CCR - DEC 7 0107 - EE preaching, very good. [Yocis-CT]
- 1090 MEXICO XLWI. Nuevo Laredo, NOV 19 2331-2355 - With romantic music, call ID, lots of ads, especially for businesses in Laredo, TX Good & on top [Moore-IA]
- 1100.3 COLOMBIA - CARACOL, HJAT Barranquilla - DEC 7 0123 - Colombia and Barranquilla mentions, SS talk by man, fair. [Yocis-CT]
- 1130 MEXICO - Caught this over the weekend...a definite Mexican (id'ed as "Equis Eh...") and heard many mentions of "Radio Lobo". A new station, maybe? [Dau-IA] (This one has been reported before, but I can't remember when - so check back issues of DXN - Jim)
- 1160 BERMUDA, VSB Hamilton, DEC 9 0510 - BBC talk (// 5975) about Boutros Boutros Ghali; mixed with others & a stiff 1161 het. [Connelly-MA]
- 1170 COLOMBIA, HJNW Cartagena, DEC 9 0506 - SS talk mentioning Barranquilla & Cartagena; atop the channel - WKPE (oldies) & WWVA (with Roy Masters ... snooze)(my mother LIKES Roy Masters, hi -pls) under. [Connelly-MA]
- 1180 CUBA - k. Taíno - DEC 9 0232 - ID by deep-voiced man in SS noted in passing under WHAM. [Yocis-CT]
- 1190 MEXICO XETOT Tampico, DEC 7 0047-0053 - Presumed with long ad string & mentions of Tampico, fair. [Moore-IA]
- 1375 ST. PIERRE ET MIQUELON - RFO - DEC 9 0229 - Instrumental music, fair. [Yocis-CT]
- 1390 4a unID, DEC 7 0530 - het against domestic pile on 1390.0; I'm not sure if this is of foreign or domestic origin. [Connelly-MA]
- 1505 ANGUIA LA R. Anguilla - DEC 9 2344 - EE news by man, many mentions of Anguilla and the Valley, fair. [Yocis-CT] DEC 10 0420 - Fair, BBC Newsdesk followed by jazz music, // 6195 and local WADN-1120. [Conti-NH]
- 1510 MEXICO UNID, (date?) 0115-0204 - All Mex news format, occasional ads. Some mentions of Monterrey, so perhaps XEQE? Another ranchera station was occasionally mixing in. Poor with WLAC QRM. [Moore-IA]
- 1530 MEXICO - Also heard a Mexican here, but all I could make out was a mention of Nueva Rosita, and none of the Mexicans here are licensed to that town. [Dau-IA] (I just ordered my Mexican Log, I'll look for this one when I get it - Jim)(Youse guys are too slow. Nothing in the Mexican Log seems to match up. -pls)
- 1540 BAHAMAS Nassau DEC 5 2343 - Excellent with Senenus Network News. Included info about a three-day world music festival starting Friday in the nation's capital Into a local sports report and ads for Jolly Rogers Carpets, Don Hosko Auto Body Rehab and Doc Thomas's Auto Body Repair Shop. [Beaton-MA]
- 1580 PUERTO RICO R. Jefe (WGFE), Morovis, DEC 4 2131 - SS talk, LA ballad, "Radio Jefe" ID by man. SIO 242. I reported this with their old call (WMTI) in IDXD 62 No. 7. This should have been WGFE, also. [Burnell-NF]

1610 ANGUILLA, Caribbean Beacon, DEC 8 2307 - EE sermon to very good peaks. [Connelly*NH] DEC 9 0123 - Emotional EE preacher, not Dr. Gene Scott, strong over various TIS stations. [Yocis-C1]

Werner asks: "Whatever happened to Caribbean Lighthouse Radio on 1165? I haven't heard that one in awhile, though 1205-Cayman Radio's carrier continues to be heard weakly on SSB, among horrible slop. Has anyone ever reported the Haitian listed there?"

HARMONICS

The apparent second harmonic of a medium wave station on San Andres Island was heard here last night (UTC DEC 12). San Andres is a small group of Caribbean islands that form a province of Colombia, although they are closer to Nicaragua than to Colombia. The station was La Voz de las Islas and it was heard on 2200 kHz from 0315-0411 UTC (when I tuned out). Programming was non-stop tropical music with one or two rock songs thrown in. The only break in music was for canned IDs at 0330 and 0400 as "La Voz de las Islas... Frecuencia Colombiana en la altamar". The signal had loooooong deep steady fades, varying from almost inaudible to almost 100% readable over periods of four to five minutes. (The IDs fortunately coincided with peaks!) I said this was an apparent harmonic as the 1994 WRTH lists this on 1110 MW, and, indeed, they announced 1110 MW. However, their MW signal would have to be on 1100 in reality to produce a harmonic on 2200 kHz. An unidentified domestic (U. S.) harmonic was also heard on 1760 kHz with NFL football. I checked the probably fundamental of 880 kHz, but it was not parallel to either station coming in on 880 (one of which was WCBS). [Moore-IA]

STATION NEWS

CUBA: Radio Fano announced NOV 3 1700 UTC that it is broadcasting as follows: On MW in Havana City on 1150 kHz and in Varedero (Matauzas province) on 1100 kHz, plus various FM frequencies. [Len Walker in *Medium Wave News* (UK), DEC 1994]

ISLE OF MAN: Frequency clearance understood to be awaited by the Isle of Man for use of a longwave frequency for a new superstation operated as a joint venture between commercial concerns and Manx Radio, itself owned by the Manx government (N.B. Manx Radio have denied this story). [Richard Hunt in *Medium Wave News* (UK), DEC 1994]

KUWAIT: Radio Kuwait 1314 schedule: 0200-0700 Holy Quran, 0700-1800 2nd Arabic Program, 1800-2100 FF program. [RK schedule in *Medium Wave News* (UK), DEC 1994]

UNITED KINGDOM: Virgin 1215 has received RA go-ahead to increase power of its London transmitter to 300 kW subject to ITU approval. [Richard Hunt in *Medium Wave News* (UK), DEC 1994]

CONTRIBUTORS (@ = via e-mail)

@Tom Beaton, Manchester, MA, Drake R-8, Mini-MWDX-5X phasing unit, BUFAMP-1 Buffer / Amplifier Unit, 2-30 m slopers.

@Jean Burnell, St. John's NF; Icom IC-R71A, 30-foot wire.

@Mark Connelly, Billerica MA; Drake R8, two noise-reduced slopers (approx. 37 m each) with 50 m single-turn horizontal loop used as floating ground for noise reduction; antennas are phased with MWDX-5 phasing unit to MWT-3 regenerative tuner/preamp

Mark Connelly Hampton Beach NH; Realistic DX-440, RTL-2 remotely-tuned loop with MWT-3 regen. tuned / controller

@Bruce Conh, Nashua, NH; ICF-2010 with Kiwa filter upgrade, MWDX-5, 30-m longwire, 23-m southeast sloper [bc@lexicon.com]

@Ben Dangerfield, Wallingford PA; HQ-180, Kiwa Loop.

@Rick Dau, IA. (Rick, no info here on 880 Venezuela call letters - Jim)

Bill Dvorak, Madison WI, GE Superadio III barefoot.

@Werner Funkenhauser, Guelph ON.

@Don Moore, Davenport IA.

@David Yocis, Danen CT, R71-A, Kiwa Loop.

SHEIGRA REPORT

Summary of Reception Conditions reported by seven UK DXers at Sheigra DXpedition (OCT 29 - NOV 18, 1994)

OCT 29/30 - Mainly Brazil evening, Praries & Greenland morning, no ECNA. OCT 30/31 - Weak Brazilians evening, WBRR-1130 only NAM, Ven & Col after dawn OCT 31/1 - LAs including Arg and Par in the morning NOV 1/2 - LAs again NOV 2/3 - LAs evening. Prairies opened at 0630, then west coast, even KBRW NOV 3/4 - LAs, including Chile evening, some Prairies and Carib in morning, NOV 4/5 - Quiet in evening, AK/MT/WA/Prairies/Mexico heard



in morning. NOV 5/6 - LAs evening and morning, brief Prairie opening 0800. NOV 6/7 - LAs, including Argentina, KING briefly at 0830. NOV 7/8 - LAs and Carib evening, Prairies in morning, fade-out 0915 (latest!) NOV 8/9 - Good Carib evening, good Prairies and KCBF in morning. NOV 9/10 - Poor, only weak fluttery signals, mainly LAm. NOV 10/11 - First decent ECNA with WV\A 1590 the highlight. NOV 11/12 - Mainly LAs, a few ECNA. NOV 12/13 - Poor evening. Morning good to Prairies and Great Lakes. NOV 13/14 - Poor with only weak Caribbean, LAs and ECNAs NOV 14/15 - Mainly Ven, Col and weak ECNAs. Fade-out still early at 0920. NOV 15/16 - Avg evening with LAs, Carib and ECNAs. Excellent in morning with Prairies and WA heard 0830-1230 fade-out, but no AK or BC. NOV 16/17 - Best day yet with KY/MT/WI/UT/WA/BC/CA/AK and many Prairies heard from 0830-1315 fade-out. NOV 17/18 - Another good day with exc. Great Lakes opening 0800-1100, plus Prairies/WA/BC/UT until sudden fade-out at 1140. Strong signals until then. [*Medium Wave News* (UK), DEC 1994]

REPORT FROM PARIS AND LONDON

A favorite book of mine by George Orwell is "Down and Out In Paris and London", required reading for anyone who has ever washed dishes for living. I have, in fact, but that's another story! Tom Sanders has a DX report from the same cities, perhaps "Up and At'em in Paris and London" would be a good title. Thank you, Tom, for sending us these detailed loggings.

- 603 UNITED KINGDOM Invicta Supergold, Littlebourne, OCT 12 2315-2330 - Fair, ragged but alone on 603; "Kent's favorite oldies." Better in the daytime. [Sanders*UK]
- 639 SPAIN RNE1, OCT 15 2000-2100 - With football // 684, 774, 801, 855. All with strong signals. Moderate splash on 639 from BBC on 648. [Sanders*UK]
- 675 NETHERLANDS Radio Ten Gold, Lopik, OCT 12 1500-1600 - Solid and steady in London in the daytime; EE oldies and classic rock with DD DJs and spots. Not as strong at night but still steady with little fading. [Sanders*UK] OCT 13 2010-2030 - mostly good; in and out with frequent fades; Marseille weak in null. Not as strong as in London at night. [Sanders*FR]
- 828 UNITED KINGDOM Chiltern Radio Supergold, Luton, OCT 11 2330-2400 - With Allison Bennett Show, hourly ID "serving Herts, Beds and Bucks on 828 AM, this is Chiltern Radio Supergold." //792 Bedford which was slightly weaker. [Sanders*UK]
- 864 FRANCE Radio Bleue, Paris, OCT 12 1530-1540 - Weak in London. FF nostalgic music with lots of talk and interviews. Signs-off in the early evening, RNE 1 is on 864 at night in Paris. [Sanders*FR]
- 909 UNITED KINGDOM Radio 5, OCT 14 2100-2200 - With "Now the Good News", strong, with clear echo from synchros. Equal in strength to Radio 5 on 693. [Sanders*FR]
- 1152 UNITED KINGDOM London Newstalk, OCT 13 2040 - "original talk radio" with promo for "Topical Issues and Star Names" show; fair but steady with weak unID under. [Sanders*FR]
- 1215 UNITED KINGDOM Virgin 1215, London, OCT 13 2000-2100 - Mostly good, a few deep fades; unID under, possibly Kaliningrad. OCT 15 0900-1000 - with highlights from the past week's "Russ 'n Jono Breakfast Show." Good all day in Paris. [Sanders*FR]
- 1260 UNITED KINGDOM Virgin 1215 & a weak UNID (possibly Bristol), OCT 15 2100-2130. [Sanders*FR]
- 1314 NORWAY Kvitsoy, OCT 12 2300-2330 - Good, occasional brief fades with unID 55 under; Texas blues show with two male hosts. [Sanders*UK]
- 1548 UNITED KINGDOM Capital Gold, London, OCT 13 2100-2200 - Fair, weak signal with a few deep fades. Fair signal in daytime with no fading [Sanders*FR]

Paris has only four AM stations, and one - Radio Bleue 864 - signs off in early evening. The others are Urgences, a news-talk station on 585, RFI 738, and a station on 963 that played AC music. Never heard any talk on it. Is that the Sorbonne station mentioned in the WRTH? Everything else, notably France Inter, Musique and Culture, in on FM. France has Telerama, a weekly media magazine similar to the UK's Radio Times, with a few pages devoted to the week's radi highlights. It covers mostly TV, movies, and cultural events, but it has the most complete radio program listings of any French publication.

UK AM stations carrying BBC World Service programs after local sign-off: 198 BBC R4 Droitwich 0043-0555; 648 BBC for Europe, Orfordness; 837 BBC R. Leicester; 855 BBC Radio Norfolk, Norwich; 873 BBC R. West Norfolk; 1026 BBC R. Jersey; 1116 BBC R. Guernsey; 1161 BBC Southern Counties Radio, Bexhill; 1332 BBC Wiltshire Sound, Lacock; 1368 BBC Southern Counties Radio, Brighton; 1368 BBC R. Lincolnshire; 1368 BBC Wiltshire Sound Swindon; 1458 BBC West Midlands Radio, Birmingham; 1485 BBC Southern Counties Radio, Sussex; 1503 BBC R. Stoke-on-Trent. BBC Worldwide is an excellent magazine. It has the complete World Service program schedule, but the feature stories alone make it great. [from BBC Worldwide, NOV 1994]

REPORT FROM CUBA

Thanks to Jean Burnell, we have this review of stations heard during his recent visit to Varadero, Matanzas province, Cuba.

Note regarding transmitter sites for Cuban network stations: rough bearings were taken (by turning the radio to effect a null). When the bearing and the signal strength are consistent with a site listed in WRTH then this is given and the place name is followed by *. (Correct bearings were noted for the USA stations.) When there is no listed station or the signal strength seems inconsistent with the listed site or was unable to effect a null (for whatever reason), no transmitter site is given.

- 535 TURKS & CAICOS R. Visión Cristiana, South Caicos, NOV 7 2041 - Very weak preaching in SS. SIO 252
- 540 CUBA R. Rebelde (CMHV), Santi Spiritus*, NOV 7 2028 - Phil Collins tune, SS talk, // 550. SIO 344
- 550 CUBA R. Rebelde, Pinar del Rio*, NOV 7 2037 - Cuban music, promo for Rebelde program called "Misión", then a song called "La Cucamarcha" (very clearly heard) with same tune as the familiar "La Cucaracha". perhaps a SS pun, but it's over my head! QRM 1 kHz het, SIO 444
- 550 CUBA R. Reloj., NOV 7 2038 - pips and CW discerned under Rebelde, seems off freq by about 1 kHz. Not listed in WRTH. SIO 221
- 570.1 CUBA R. Reloj., NOV 7 2053 - News, pips and ID. Transmitter hum and muffled audio. Seems much too strong and has wrong bearing for listed Pilon site. SIO 555
- 581.9 unID, NOV 7 2055 - Just a carrier, no audio discernible ... nor in the evenings.
- 597.9 unID, NOV 7 2105 - Big het, no audio.
- 600 CUBA R. Rebelde (CMKV), Urbano Noris*, NOV 13 0504 - Cuban salsa music, // 550 SIO 555
- 610 CUBA R. Rebelde (CMAN), Bahia Honda*, NOV 7 2110 - LA ballad, // 550. SIO 544 when WIOD nulled.
- 610 CUBA R. Reloj (CMIH), Trinidad*, NOV 7 2110 - Pips and CW discerned under Rebelde. SIO 221
- 620 CUBA R. Rebelde (CMGN), Colón*, NOV 8 2108 - Promo for Rebelde program, talk about Hemingway, Richard Marx song SIO 555
- 640 CUBA R. Progreso (CMBC), Guanabacoa*, NOV 8 2116 - Cuban pop music. SIO 555
- 660 CUBA R. Progreso (CMHG), Santa Clara*, NOV 8 2117 - Cuban pop music, // 640. Splatter from 670, SIO 544
- 670 CUBA R. Rebelde (CMQ), Arroyo Arenas*, NOV 8 2129 - Music, station hype, cultural news, // 620. SIO 555
- 680 CUBA R. Progreso (CMHN), Cienfuegos*, NOV 8 2136 - Cuban music // 640. Rebelde QRM, SIO 433
- 680 CUBA R. Rebelde (CMJV), Ciego de Avila*, NOV 8 2137 - Woman talking then Beatles' "Yesterday", // 620. Dominated by Progreso, SIO 332
- 690 CUBA R. Progreso, Jovellanos*, NOV 8 2140 - Song about R. Progreso, the pgm's name is "Discoteca Popular". Very strong but with a buzzing noise. SIO 554
- 710 CUBA R. Rebelde, not nullable so 2 transmitters?, NOV 8 2146 - Rebelde report from Cienfuegos. Over another SS stn, SIO 544
- 720 JAMAICA RJR, Kingston, NOV 8 2202 - News in EE: Grenada reduces rum imports from Trinidad. Splatter from 710, SIO 243
- 740 CUBA R. Progreso (CMKP), Sagua de Tanamo*, NOV 8 2222 - "Discoteca Popular" program, // 640. SIO 455
- 750 VENEZUELA R. Caracas Radio (YVKs), Caracas, NOV 8 2226 - Ad with prices in Bolívars, ad for Viasa airline, talk about Venezuelan armed forces. SIO 244
- 760 CUBA R. Reloj (CMCD), Guanabacoa*, NOV 11 0229 - News, ID, pips. Noisy transmitter, SIO 433
- 770 COLOMBIA RCN (HJXX), Bogotá, NOV 9 0301 - In WABC null, SS talk, "Radio RCN" ID at 2202. SIO 333
- 790 CUBA R. Reloj (CMAQ), Pinar del Rio, NOV 9 0306 - News with Reloj ticks, ID. SIO 233. Was right on frequency.
- 800 NETHERLANDS ANTILLES Trans-World R., Bonaire, NOV 9 0310 - EE preaching. SIO 544
- 810 COLOMBIA CARACOL (HJCY), Bogotá, NOV 9 0313 - 2 men with news, Coca-Cola ad, CARACOL ID's. SIO 444
- 820 CUBA R. Ciudad de la Habana (CMCA), Santa Catalina*, NOV 9 0326 - Guitar then piano music, peculiar ID or program name at 0328 sounded like "Radio Soo- Ga" (or "Soo-Gar") with "98.7 FM y 820 AM, la Habana", program promos including for one at 11 PM called "Radio Luna". SIO 544. NOV 11 1921 - Mixed bag of music, talk about the events at the

Faculty of Arts at the university, what's on at the cinemas. ID at 1931: "Radio Ciudad, 98.7 FM y 820 AM, La Habana". Then program "Aquí y Ahora" kicked off with quotes from Jose Martí SIO 444

- 840 CUBA "W" (CMHW), Santa Clara*, NOV 11 0252 - Man talking about a contest: address in Santa Clara for entries. QRM from WHAS, SIO 433. NOV 12 1904 - TC, contest about Cuban women, program "Carabana Musical". SIO 555
- 850 JAMAICA RJR, Savanna-la-Mar, NOV 12 0201 - Mess of weak signals, this one faded up with "Radio One" jungle then EE anmts of cancellations due to poor weather. SIO 222
- 860 MEXICO R. Chetumal?, (XECNN?), Cancún, NOV 12 0211 - SS: weather for Mexico, status of water supplies. SIO 333. NOV 12 0300 - In WGUL null, ID by woman sounded like: "Sintonize la frecuencia del estado de Quintana Roo en la frontera caribe de la Patria, Radio Chetumal, 860 kHz amplitud modulada con 5 mil watts de potencia", then talk by man. SIO 322
- 880 CUBA R. Progreso (CMAF?), Pinar del Rio? NOV 12 0225 - Weather warnings for Tropical Storm Gordon, // 640. SIO 322
- 890 CUBA R. Progreso, NOV 12 1907 - Soap opera, // 640. Unlisted but strength and direction suggest this is either in province of La Habana or Pinar del Rio...perhaps the 30 kW outlet listed on 880 for Pinar del Rio is now here. SIO 555
- 900 unID NOV 13 0406 - Freq approximate, seems somewhat below 900, many hets -- SS: ad for "Teleguia", PSA for "la Comisión Nacional de Derechos Humanos", ad for "discos" with music from "llano del norte". No time to get ID! SIO 333
- 910 CUBA R. Reloj (CMGL) - listed call same as 920), Bolondron*, NOV 10 0304 - News with time ticks. SIO 544. NOV 12 1910 - News, time ticks. SIO 555
- 920 CUBA R. Reloj (CMGL) - listed call same as 910), Union de Reyes*, NOV 10 0307 - "Boletín de la Noche" news, ID's, // 910. SIO 544. NOV 12 1913 - News. SIO 555
- 930 CUBA R. Reloj (CMGB), Cardenas - No sign of this listed station from a nearby town. Checked NOV 10 0309 and NOV 12 1915.
- 950 CUBA R. Metropolitana (CMBL), Arroyo Arenas*, NOV 12 1916 - As noted by Krueger a few months ago, this one has moved from 860 kHz - Lots of Cuban music, few announcements until end of program at 1929. ID at 1930: "Transmíte Radio Metropolitana, Ciudad de La Habana", then talk about José Martí. SIO 354
- 960 CUBA R. Enciclopedia (CMGF), Matanzas*, NOV 10 0224 - Piano music, // 1270. SIO 444. NOV 12 1937 - Theme from "Around the World in 80 Days". SIO 555
- 980 CUBA COCO Periódico del Aire. Sapo*, NOV 12 1940 - Baseball play-by-play Industriales versus Matanzas, mentioned "senal de la Coco" at 1945, pips quietly behind commentary at 2000, then ID about a minute later: "C-O-C-O, el Periódico del Aire" Transmitter hum, SIO 454
- 1000 COLOMBIA RCN (HJAQ), Cartagena, NOV 10 0322 - SS: ads, "desde Plaza Cartagena"... "aquí en Cartagena", then talk about Miss Universe. SIO 544
- 1080 CUBA tent R. Cadena Habana (CMCH), Guines, NOV 7 0259 - Cuban music, man and woman with chat (no ID) until music resumed at 0304 SIO 333
- 1090 MEXICO Voz de Yucatan (XEFC), Mérida NOV 7 0257 - Faded up with "XEFC estereo" ID. Long deep fades, SIO 332
- 1180 CUBA R. Rebelde NOV 9 1913 - "Hooked on the Feeling", Rebelde ID at 1918, // 620. SIO 533
- 1180 CUBA R. Taino, Villa Maria NOV 10 0346 - Phil Collins song, // 1100. Very poor under R. Rebelde and R. Martí, SIO 222
- 1220 CUBA R. 26 (CMGJ), Central Espana, NOV 13 0455 - LA ballad, // 1240. SIO 344 1230 CUBA R. 26 (CMGJ), Union de Reyes*, NOV 13 0457 - LA ballad, // 1240. SIO 344
- 1240 CUBA R. 26 (CMGW), Bolondrón*, NOV 10 0301 - Promo for local festival, contest about AIDS with address, telephone number for AIDS questions, "Radio 26" ID at 0309, Celine Dion song "Color de Amor". (Other Radio 26 outlets - see above - inaudible at night due to QRM.) SIO 544
- 1260 CUBA R. Rebelde, Cuban salsa mx, // 550. SIO 344
- 1270 CUBA R. Enciclopedia (CMGF?), likely Varadero*, NOV 10 0218 - Must be local, light orchestral music (Percy Faith), woman announcer every 2 songs. At 0259 ID: "CMVU Radio Enciclopedia, La Habana". WRTH lists CMGF Varadero on 1280...it's definitely not on 1280: I believe this is it on 1270. SIO 555
- 1290 CUBA R. Enciclopedia, NOV 10 1238 - Light music, woman announcer, // 1270. SIO 454
- 1340 CUBA R. Ciudad del Mar (CMHU), Palmira*, NOV 9 1903 - Followed this for more than an hour without an ID. Baseball game between "conjuntos" from Matanzas and Cienfuegos. Bearing correct for Cienfuegos. SIO 354. NOV 12 2004 - Baseball play-by-play Juventud versus Cienfuegos from the "Estadio 5 de septiembre" Woman's voice with ID inserted at 2005, and then the commentators mentioned the station again 30 sec later. SIO 244

- 1390 CUBA R. Jaruco (CMBT), Jaruco*, NOV 9 1524 - Salsa music, program name or slogan seemed to be called "Radio de la Manana", echo announcements, "Radio Jaruco" ID at 1531 and local anmts. SIO 255
- 1400 CUBA R. Musical Nacional (CMGX), Matanzas*, NOV 11 0256 - Classical piano, ID at 0301 as "CMBF Radio Musical Nacional" then opera program began. SIO 443
- 1420 CUBA R. Llanuda?, Colón*, NOV 11 1332 - Pgm called "Buenos Días, Llanuda", mentioned a few times, talk about workers. WRFH calls this R. Llanuras but it sounded like Llanuda to me (and reception was excellent) SIO 455
- 1470 CUBA R. Ciudad Bandera (CMGE), Cardenas*, NOV 11 1327 - Announcements by man and woman, e.g. roadworks in Sta Marta de Varadero, "Hit Parade" contest, mention that the upcoming "boletín económico internacional" is simultaneously broadcast by R. Ciudad Bandera and R. Llanuras de Colon. (This was not true! See 1420), then at 1330 the program started. SIO 555
- 1540 BAHAMAS R. Bahamas (ZNS1), Nassau NOV 9 1515 - Disco version of "Also Sprach Zarathustra". SIO 454. NOV 11 0210 - Mix of tunes, few announcements, distinctively accented announcer in EE. Over SS station, SIO 444
- 1610 ANGUILLA Caribbean Beacon, NOV 10 0409 - Dr. Gene Scott rambling... SIO 333

All Soul's Day ... By César Objfo

November 2nd has always been a day in which Dominicans used to pay respect for their dead relatives. It was a day when people went to the cemeteries to say a prayer and light candles for them. In that day nobody sang, and at the beginning of radio nobody turned them on as a signal of respect. Radio stations did not turn their transmitters on either, they were silent all day long.

But there came the day during the 40s when "La Voz Dominicana", the government station in the Trujillo regime, started playing classical music on that day, and it was the only station on the air in the country.

Time passed and other stations started also to play classical music in that day, in imitation to the government station, and as people was afraid to do something the government might not like, they dared to play classical music also, as if saying: "if you can do it I can do it also, and there is no law against that". It was the time when everybody was afraid to do anything which might offend the government.

Times have changed, today, more than 30 years has passed since the dictatorship was overthrown, now the people is not afraid of any dictatorship and the government station still plays classical music, so all the other stations started playing songs, pop music, disco and anything that got into the hands of the disc jockeys as there was no laws against that. Respect? What is that? That is something of the past, only to be complied by old people.

But there are some broadcasters who still pay their respect to the dead on this day and they do not play anything, as they simply keep their transmitters off the air. They were: 790 La Voz del Trópico, 860 Radio Clarín, 890 R. Continental, 950 R. Popular, 1150 Onda Musical, 1180 R. Mil, 1220 R. HIN, 1300 R. Radio and 1510 R. Pueblo.

The others do not think the same way. So here is a list of the stations and the music they played on November 2nd 1994:

- | | |
|---|---|
| 540 - Radio ABC. Pop music | 1080 - R. Ambar (former R.P.Q.) Pop music |
| 570 - R. Cristal. Off the air | 1120 - Metro Once Veinte (11-20) Pop music |
| 620 - R. TV Dominicana. Classical music | 1150 - Onda Musical. Off the air |
| 650 - R. Universal. Pop music | 1180 - R. Mil. Off the air |
| 690 - R. Guarachuta. Relig. talks, s/off early | 1220 - R. HIN. Off the air |
| 730 - R. HIZ. Off the air | 1260 - R. Recuerdos Comercial. Pop music |
| 790 - La Voz del Trópico. Off the air | 1300 - R. Radio. Off the air |
| 830 - R. HJB. Pop music | 1410 - R. Tricolor. Off the air |
| 860 - R. Clarín. Off the air | 1440 - La Voz de la Verdad. Religious |
| 890 - R. Continental. Off the air | 1480 - R. VEN. Religious |
| 920 - R. Nueve Veinte (9-20). Pop music | 1510 - R. Pueblo. Off the air |
| 950 - R. Popular. Off the air | 1540 - Criolla Comercial. Pop mx. Baseball eve. |
| 980 - La Voz de las Fuerzas Armadas. Off the air | 1570 - R. Amanecer. Religious |
| 1010 - R. Comercial. Pop mx, baseball in the eve. | 1600 - R. Revelación. Religious |
| 1040 - R. Central. Pop music | |

Team Effort ...

That's what makes the NRC so great! And all information, contributions, and editing for DX News, DX Audio Service, and all publications is done by unpaid volunteers as part of a team. Perhaps you have a little time to give to your club... if so, please write to Ken Chatterton - P. O. Box 164 - Mansville, NY 13661-0164, and let him know what talents and time you can offer to the club. Typists are almost always needed, as are updates to the NRC AM Radio Log. Why not write to Ken today?!

International DX Paul Swearingen plsBCDXER@AOL.com 2840 SE Illinois Avenue Topeka, KS 66605-1427

International DX verietaped totals listed by continents

Year	DX'er	Location	Last Update	Total Eur	Veried	Ctries	Frgn	SA	NA	Oc	AF	As
1940	Morris, Stan	MA	1993	221	84	3922	424	65	218	1	14	3
1946	Holbrook, Hank	MD	1993	156	103	2876	640	103	303	49	26	3
1958	Dangerfield, Ben	PA	1981	148	118	422	323	44	84	8	31	8
1933	Geary, Kenut	PA	1993	147	107	6190	988	243	512	61	23	2
1938	Anderson, Roger A	VA/NY/PA	1993	128	105	1448	514	78	227	48	28	5
1934	Gustafson, Hilding	IL/FL	1993	115	115	865	319	36	68	61	24	14
1958	Memman, Alan	VA	1994	88	93	1615	368	47	212	3	14	4
1933	Cooper, Ernest	NY-MA	1980	88	79	4142	760	131	528	7	6	
1960	Rugg, Andy	QC	1993	65	69	1672	203	48	83		6	
1977	Vernon, Brian	YU	.981	63	39	314	232	1	7	106		95
1946	Moore, Ray	MA	1993	59	104	245	245	52	95	8	24	7
1952	McIntosh, Eric	NZ	1965	45	63	686	635	2	301	253	4	81
?	Sampson, John	NJ	1965	38	54	445	72	6	23	1	3	1
1954	Starr, Jerry	OH	1974	20	51	1209	194	34	134	3	3	
1952	Mullar Roy	WA	1993	18	81	2031	369	34	154	99	1	63
1968	Springeour, Gray	CA/ON	1971	18	47	526	440	10	354	31	1	26
?	Callanna, John	?	1970	17	50	740	138	20	72	20	3	6
1962	Edmunds, R J (taped)	NJ	1993	14	43	897	56	37	845			1
1963	Straus, Elliot	NJ	1993	13	33	890	41	5				
?	Fela, Joseph	NJ	1965	11	24	738	35	4	19		1	
1955	Palmer, Richard D	IL	1993	10	33	822	94	4	77	2	1	
1964	Sorensen, Morris	ON/MB	1975	9	13	537	385	1	375			
1962	Musco, Ron	CT	.994	6	36	1206	30	30			1	
?	Deltr, Sam	Australia	1978	5	37	352	218		109	80	1	23
1958	Philips, Dan	TN/AL	1971	5	26	567	40	9	21	3	1	
?	Heinen, Wayne	NY	1981	5	18	882	116	2	109	1		
1947	Luton, Relfe	NC	1973	3	23	1049	142	4	102	33		
1931	Holland, George B, Jr.	NY	1993	3	18	884	129	5	46	2		1
1931	Steele, Sid	IL	1993	2	35	3071	298	12	103	8		1
1964	Reynolds, Bruce	MO	1977	2	28	1103	121	6	111	2		
1964	Whattmough, Dave	ON	1991	2	13	1014	15	1	6	6		
1977	Wolfish, Noel	ON	1977	2	11	397	20	4	14			
1931	Wheeler, Frank	PA	.995	1	25	1885	78	7	68	2		
1976	Higgins, Earl	IL	.981	1	7	60	5		4			
?	Falconer, Jeff	ON	1976		49		1175	44				
1976	Kenfrew, Jim	NY	1993		35	331	51	7	44			
1965	Long, John	CT	1968		29	101						
1958	Taylor, Pete	CA	1993		26	375	58	4	22	13		19
1969	Karchevski, Bob	MA/CA	1975		24	204	141		112	6		
1958	Wesolowski, Ernie	NE	1977		24	1898	168	6	153	7	1	1
1975	Swearingen, Paul	KS	.994		23	715	93	16	41			
1976	Froemung, Garv	AZ	.994		17	338	92	7	85	1		
1974	Kunter, Mike	WI	.983		17	936	53	8	45			
1941	Kruse, Len	IA	1971		15	4080	77	3	61	13		
1968	Bytheway, Phil	WA	1982		9	457	20					
1960	Lynch, Dou	MA	1980		9		157					
1962	Edmunds, R J (paper)	NJ	1994		7	266	13	3	10			
?	Erickson, Dou	CA	1982		6	442	9		8	1		
1973	Mout, Paul	OH	1978		6	225	25	2	22			
1975	Bartek, Daniel, Jr.	NE	1975		2	23						

Thanks to Dave Whattmough for his update. If your name doesn't appear above ... send in your totals! U. S. and Canadians are not included in NA totals, by the way. Our next column will feature Oceania totals 73!

Graveyard Achievements

Distance records for stations logged on graveyard frequencies

1340 kHz

Logged from Jan 1, 1960 to Present
Date of Last Update: November 18, 1994
* indicates North American record-holder



WKUL	AL	Cullman	Steve Francis	Alcoa, TN	199
WXOR		Florence	Charles Reh	Leamington, ON	572
WMRK		Selma	Joe Kureth	Uniontown, MD	740
WFEB		Sylacauga	Robert Kramer	Chicago, IL	607
AFRN	AK	Ft. Yukon	Frank Merrill	Nenana, AK	177
KIKO	AZ	Miami	Jeff Tynan	Parker, CO	541
KPGE		Page	Ernie Wesolowski	Omaha, NE	887
KENT		Prescott	Don Kaskey	Sacramento, CA	562
KBTA	AR	Batesville	Wayne Heinen	Colorado Springs, CO	755
KZNG		Hot Springs	Wayne Heinen	Colorado Springs	719
KBRS		Springdale	Charles Reh	Leamington	737
KATA	CA	Arcata	Bruce Reynolds	San Jose, CA	270
KBOS		Fresno	Bruce Reynolds	San Jose	122
KTOX		Needles	Bruce Reynolds	San Jose	440
KORV		Oroville	Frank Merrill	Nenana	2052
KATY		San Luis Obispo	Frank Merrill	Nenana	2344
KIST		Santa Barbara	Pete Taylor	San Francisco, CA	276
KOMY		Watsonville	Roy Millar	Bellevue, WA	738
KDEN	CO	Denver	Fsa Hänninen	Lemmenjoki, Finland	4537
			Shawn Axelrod	Winnipeg, MB	*788
KQIL		Grand Junction	Olle Alm	Abisko, Sweden	4535
KWSL			Jack Woods	Douglas, AK	*1753
KVRH		Salida	John Wilkins	Wheat Ridge, CO	118
WNHC	CT	New Haven	Niel Wolfish	Toronto, ON	365
WOOK	DC	Washington	Andy Rugg	Montreal, PQ	489
WTAN	FL	Clearwater	Don Voorhies	Oswego, NY	1128
WWFL		Clermont	Shawn Axelrod	Orlando, FL	20
WROD		Daytona Beach	Andy Rugg	Montreal	1197
WTYS		Marianna	Ernie Wesolowski	Omaha	939
WPBR		Palm Beach	Ernie Cooper	Provincetown, MA	1202
WFSH		Valparaiso	Steve Francis	Alcoa	393
WGAU	GA	Athens	Russ Edmonds	Parsippany, NJ	691
WIGO		Atlanta	Russ Edmonds	Little Silver, NJ	736
WBBQ		Augusta	Don Lynch	Lynn, MA	861
WGAA		Cedartown	Ron Bailey	Shelby, NC	228
WOKS		Columbus	Charles Reh	Leamington	675
WALH		Mountain City	Steve Francis	Alcoa	66
WTIF		Tifton	Steve Francis	Alcoa	299
KSGR	ID	Nampa	Esa Hänninen	Lemmenjoki	4441
KANR			Shawn Axelrod	Winnipeg	*1007
KACH		Preston	Bruce Reynolds	San Jose	627
WSOY	IL	Decatur	Steve Francis	Alcoa	393
WJPF		Herrin	Shawn Axelrod	Winnipeg	950
WJOL		Joliet	Esa Hänninen	Lemmenjoki	4114
			Bruce Reynolds	Warrensburg, MO	*354
WBIW	IN	Bedford	Jeff Falconer	Clinton, ON	419
WTRC		Elkhart	George Santulli	Cinton, NJ	605
WLBC		Muncie	John Wilkins	West Des Moines, IA	447
KROS	IA	Clinton	Shawn Axelrod	Winnipeg	676
KLIL		Estherville	Ernie Wesolowski	Omaha	159
KFKF	KS	Kansas City	Esa Hänninen	Lemmenjoki	4396

KNHN					
KSEK		Pittsburg	John Wilkins	Wheat Ridge	*559
WCMI	KY	Ashland	Shawn Axelrod	Winnipeg	856
WBGN		Bowling Green	Joe Fela	Newark, NJ	477
			Carl Dabelstein	Omaha, NE	586
			Ernie Wesolowski	Omaha	(Tie) 586
WNBS		Murray	George Santulli	Cranford	809
WEKY		Richmond	John Wilkins	West Des Moines	567
KVOB	LA	Bastrop	Bruce Reynolds	Warrensburg	426
KRMD		Shreveport	Frank Wheeler	Erie, PA	1005
WDME	ME	Dover-Foxcroft	Don Voorhies	Oswego, NY	381
WHOU		Houlton	Don Lynch	Lynn	298
WGAW	MA	Gardner	Don Lynch	Lynn	51
WNBH		New Bedford	Christian DeHaes	Chicoutimi, PQ	466
WBRK		Pittsfield	Jeff Falconer	Clinton	429
WLEW	MI	Bad Axe	Morris Sorensen	Emsdale, ON	215
WLAV		Grand Rapids	Bruce Conti	West Warwick, RI	763
			Shawn Axelrod	Winnipeg	(Tie) 763
			Niel Wolfish	Winnipeg, MB	(Tie) 763
WCSR		Hillsdale	George Santulli	Cranford	575
WAGN		Menominee	Russ Edmonds	Parsippany	743
WWPZ		Petoskey	Shawn Axelrod	Winnipeg	692
KQBR	MN	Brainerd	Jerry Starr	Hubbard, OH	760
KDLM		Detroit Lakes	Andy Rugg	Waterloo, ON	775
WEVE		Eveleth	Morris Sorensen	Leaf Rapids, MB	710
KROC		Rochester	Jeff Tynan	Parker, CO	704
KWLM		Willmar	Niel Wolfish	Winnipeg	366
			Shawn Axelrod	Winnipeg	(Tie) 366
WAML	MS	Laurel	Ernie Wesolowski	Omaha	762
KXEO	M O	Mexico	Andy Rugg	Montreal	1016
KLID		Poplar Bluff	Charles Reh	Leamington	552
KSMO		Salem	Bruce Reynolds	Warrensburg	137
KICK		Springfield	Dave Whatmough	Hamilton, ON	822
KCAP	MT	Helena	Ernie Wesolowski	Omaha	883
KPRK		Livingston	Forest Osborn	Hooker, OK	775
KATL		Miles City	Ernie Wesolowski	Omaha	607
KYLT		Missoula	MB DXpedition &	Arnes, MB	818
KHUB	NE	Fremont	Charles Reh	Leamington	716
KGFV		Kearney	Charles Reh	Leamington	860
KSID		Sidney	Shawn Axelrod	Winnipeg	648
KRAM	NV	Las Vegas	Frank Merrill	Nenana	2407
KBET		Reno	Roy Millar	Marysville	555
WDCR	NH	Hanover	Rich Eddie	St. Louis, MO	1000
WMID	NJ	Atlantic City	Esa Hänninen	Lemmenjoki	3961
			Steve Francis	Alcoa	*574
			Roy Millar	Marysville, WA	1037
KNDE	NM	Aztec	Tim Hall	San Diego, CA	577
KCEM		Farmington	Jeff Tynan	Parker	276
KCEM		Kirtland	Bruce Reynolds	Warrensburg	913
KSIL		Silver City	Ernie Wesolowski	Omaha	621
KKIT		Taos	Esa Hänninen	Lemmenjoki	3786
WMBO	NY	Auburn	Charles Reh	Leamington	*311
			William Townshend	Washington, DC	314
WENT		Gloversville	Andy Rugg	Montreal	360
WKSN		Jamestown	Carl Dabelstein	Lincoln, NE	932
WLVL		Lockport	Charles Reh	Leamington	433
WMSA		Massena	Tim Kerfoot	Weston, ON	320
WALL		Middletown	Esa Hänninen	Lemmenjoki	3653
WIRY		Plattsburgh	Charles Reh	Leamington	*401
			Frank Merrill	Toledo, OH	537
WOOW	NC	Greenville	Don Lynch	Lynn	723
WJRI		Lenoir	Russ Edmonds	Syracuse, NY	605
WTSB		Lumberton	Andy Rugg	Montreal	811
WGNI		Wilmington	Andy Rugg	Montreal	731
WAIR		Winston-Salem			

22						
KPOK	ND	Bowman	Wayne Heinen	Colorado Springs	514	
KXPO		Grafton	Jeff Tynan	Parker	713	
WNCO	OH	Ashland	Steve Francis	Alcoa	359	
WOUB		Athens	Charles Reh	Leamington	188	
WIZE		Springfield	Shawn Axelrod	Winnipeg	949	
WSTV		Steubenville	Joe Kureth	Southern Pines, NC	368	
KIHN	OK	Hugo	Charles Reh	Leamington	894	
KOCY		Oklahoma City	Niel Wolfish	Winnipeg	980	
KXXY			Shawn Axelrod	Winnipeg	(Tie) 980	
KTOW		Sand Springs	Karl Jeter	Atlanta, GA	675	
KLOO	OR	Corvallis	Bruce Reynolds	San Jose	507	
KWVR		Enterprise	Esa Hänninen	Lemmenjoki	4325	
			Jack Woods	Waldport, OR	*341	
KIHR		Hood River	Esa Hänninen	Lemmenjoki	4354	
			Bruce Reynolds	San Jose	*578	
KBBR		North Bend	Bruce Reynolds	San Jose	438	
WCVI	PA	Connellsville	Andy Rugg	Montreal	480	
WSAJ		Grove City	Frank Merrill	Holland, OH	195	
WKRZ		Oil City	Don Lynch	Lynn	454	
WHAT		Philadelphia	Marc DeLorenzo	Hyannis, MA	282	
WRAW		Reading	Ron Musco	Windsor, CT	202	
WTRN		Tyrone	Don Trelford	Scarborough, ON	397	
WBRE		Wilkes-Barre	Karl Jeter	Stone Mountain	695	
WWPA		WilliamSPORT	MB DXPedition &	Arnes	1150	
WOKE	SC	Charleston	Bruce Reynolds	Warrensburg	879	
WRHI		Rock Hill	Joe Kureth	Uniontown	385	
WSSC		Sumter	Russ Edmunds	Little Silver	558	
KJIV	SD	Huron	Frank Merrill	Milan, MI	757	
KTOQ		Rapid City	Esa Hänninen	Lemmenjoki	4220	
			Mike Hawk	Omaha, NE	*415	
WBAC	TN	Cleveland	Dave Whatmough	Hamilton	620	
WKRM		Columbia	Karl Jeter	Stone Mountain, GA	206	
WGRV		Greeneville	Mike Jeziorski	Brookfield	473	
WGN		Knoxville	Roy Millar	Marysville	2138	
WLOK		Memphis	George Santulli	Cranford	950	
WCDT		Winchester	Charles Reh	Leamington	510	
KWKE	TX	Abilene	Brett Hanavan	Chula Vista, CA	1009	
KAND		Corsicana	Frank Wheeler	Erie	1139	
KSET		El Paso	John Wilkins	West Des Moines, IA	974	
KDUB		Lubbock	Roy Millar	Marysville	1439	
KRBA		Lufkin	Carl Dabelstein	Lincoln	665	
KPDN		Pampa	Roy Millar	Marysville	1375	
KOLE		Port Arthur	Karl Jeter	Stone Mountain	634	
KVIC		Victoria	Ernie Wesolowski	Omaha	863	
KTMP	UT	Heber City	Shawn Axelrod	Winnipeg	911	
WVNR	VT	Poultney	Don Voorhies	Oswego	188	
WTWN		St. Johnsbury	Tim Kerfoot	Weston	360	
WKEY	VA	Covington	Shawn Axelrod	Winnipeg	1231	
WHAP		Hopewell	Russ Edmunds	Parsippany	290	
WJMA		Orange	Tim Kerfoot	Weston	400	
WBLB		Pulaski	Steve Francis	Alcoa, TN	195	
KAGT	WA	Anacortes	John Campbell	Malnagen, Norway	4042	
KLKI			Jack Woods	Waldport	*291	
KAPA		Raymond	Tim Hall	Vancouver, BC	180	
KWWW		Wenatchee	Shawn Axelrod	Whistler, BC	200	
WHAR	WV	Clarksburg	Don Lynch	Lynn	533	
WEPM		Martinsburg	Steve Francis	Alcoa	411	
WLDY	WI	Ladysmith	Joe Kureth	Uniontown	810	
WRIT		Milwaukee	Joe Fela	Newark, NJ	724	
KSGT	W Y	Jackson Hole	Robert Kramer	Chicago	1177	
KYCN		Wheatland	Ernie Wesolowski	Omaha	470	
KWOR		Worland	Esa Hänninen	Lemmenjoki	4296	
			Wayne Heinen	Colorado Springs	*393	

WNOZ	PR	Aguadilla	César Objío	Santo Domingo, DR	180	
WSTA	VI	Charlotte Amalie	Tim Hall	Crane Beach, Barbados	499	
CFHC1	AB	Banff	Tim Hall	Lake Louise, AB	30	
CIBQ		Brooks	Niel Wolfish	Winnipeg	604	
			Shawn Axelrod	Winnipeg	(Tie) 604	
CJLW1		Grand Centre	Esa Hänninen	Lemmenjoki	3543	
CJCM			Shawn Axelrod	Winnipeg	*640	
CBRY	BC	Alert Bay	Roy Millar	Marysville	298	
CHNL2		Ashcroft-Cache Creek	Roy Millar	Marysville	226	
CFKC		Creston	Roy Millar	Marysville	208	
CKGF		Grand Forks	Roy Millar	Marysville	207	
CBUF		Ocean Falls	Roy Millar	Marysville	411	
CKCR		Revelstoke	Roy Millar	Marysville	304	
CKXX	NF	Corner Brook	Esa Hänninen	Lemmenjoki	3001	
CFGB		Happy Valley	Esa Hänninen	Lemmenjoki	3043	
CFLW		Wabush	Esa Hänninen	Lemmenjoki	2968	
CFYK	NWT	Yellowknife	Esa Hänninen	Lemmenjoki	3163	
			Morris Sorensen	God's Lake Narrows, MB	*898	
CJLS	NS	Yarmouth	Esa Hänninen	Lemmenjoki	3494	
			Russ Edmunds	Little Silver	*481	
CBON	ON	Chapleau	Tim Hall	Near Chapleau, ON	10	
CKNR		Elliot Lake	Don Lynch	Chelmsford	613	
CFCH		Hearst	Morris Sorensen	Leaf Rapids	840	
CKAR1		Parry Sound	Jeff Falconer	Clinton	141	
CKRE		Red Lake	MB DXPedition &	Valhalla Beach, MB	139	
CKOX		Woodstock	Morris Sorensen	Toronto, ON	89	
CHAD	PQ	Amos	Jeff Falconer	Clinton	381	
CJAN		Asbestos	Charles Reh	Leamington	587	
CJAF		Cabano	Andy Rugg	Montreal	253	
CHRD		Drummondville	Andy Rugg	Montreal	73	
CKMG		Maniwaki	Tim Kerfoot	Weston	240	
CJQC		Quebec	Charles Reh	Leamington	646	
CBGA7		Ste-Anne-des-Monts	Esa Hänninen	Lemmenjoki	3197	
CKVT		Temiscaming	MB DXPedition &	Arnes	841	
CFSL	SK	Weyburn	Carl Dabelstein	Omaha	695	
ZBM2	BER	Hamilton	Olle Alm	Göteborg, Sweden	3886	
			Charles Reh	Leamington	*1185	
XEAA	BCN	Mexicali	Esa Hänninen	Lemmenjoki	5159	
			John Wilkins	Wheat Ridge	*756	
XEZE	NAY	Santiago Ixcuintla	Pete Taylor	Cabo San Lucas, BCS	310	
XENV	NL	Monterrey	Jim Boehm	San Antonio, TX	289	
XECW	SIN	Los Mochis	Esa Hänninen	Lemmenjoki	5524	
XEOS	SON	Ciudad Obregon	Tim Hall	Poway, CA	574	
XEMT	TAMS	Matamoros	Jim Boehm	San Antonio	263	
CMHU	CUB	Cienfuegos	Don Trelford	St Ann's Bay, JMC	329	
R. Uno	CLM	Bogotá	César Objío	Santo Domingo	998	
----	CHN	Guangzhou	Pete Taylor	Hong Kong	95	
BEC48		Matsu	Frank Merrill	Nenana	4627	

& = Manitoba DXPedition [Shawn Axelrod, Wayne McRae]

Just a reminder to our members, that a full listing of Graveyard records for all the channels for the period of time prior to 1960 exists. Why 1960? That's when the Graveyarders were allowed to increase their daytime power from 250 to 1000 watts (with some exceptions). Another FCC ruling allowed them to remain 1000 watts 24 hours in the early-1980s. We have not submitted the "prior to 1960" lists for publication for three or four years because no new updates have been received. If you have pre-1960 loggings on 1230, 1240, 1340, 1450 and 1490 which you feel may be a distance record, send them in. I'll let you know the results. Or, if you'd like to see the current records, drop me a line.



Station Profile

A special feature about a unique station

Alliance Communications, Inc.
Radio Station

WPNA
AM 1490

Tony Fitzherbert
356 Jackman Avenue
Fairfield, CT 06430-1728

The largest urban Polish population outside of Warsaw in the entire world with over a million Poles, clusters in numerous neighborhoods scattered throughout Chicago's West Side and in the near west suburbs. And these immigrants and their offspring are a ready market for America's only primarily Polish radio station. WPNA - 1490, in Oak Park, just across Austin Avenue from Chicago itself, broadcasts full service programming to this vast Polish audience.

Owned by the country's largest ethnic organization, the Polish National Alliance, WPNA (the call stands for the owner) airs more Polish programming than any other U.S. radio station. Over 90% of the broadcast week is aired in the Polish language. WPNA is on the air 24 hours daily, on 1490 kHz, with a 1000 watt non-directional signal.

The station was licensed in 1950 to Oak Park, and began operations as WOPA. WOPA first formatted brokered ethnic programs, with offerings for Chicago's Spanish, Polish, Ukrainian, Russian, and Irish communities. The studios and transmitter were in the penthouse atop the five story Oak Park Arms, as they remain today. The call, of course, stood for Oak Park Arms, at the time an opulent, lavishly appointed, and immensely popular hotel, whose ballroom and the excellent cuisine attracted the wealth of the western suburbs. Al Capone and other Mafioso gangsters, who lived in nearby River Forest, were Oak Park Arms regulars. The ballroom was the site for many debutante parties and society weddings. Today, however the faded elegance of the Oak Park Arms serves as a retirement home for seniors. The trip to WPNA's penthouse takes one through the former posh lobby, and the ballroom, where the seniors socialize and participate in organized events, such as dances! The elevator brings one to a musty fifth floor hallway (where ghosts of former residents may hover in the shadows!). A visitor then reaches WPNA by ascending a discretely marked staircase.

WOPA's original owner was Egmont Sounderling, whose business philosophy was to broker all of his station's time. He later put a sister FM station, WBMX-102.3, on the air. WBMX aired Black contemporary music. For a year in the mid 1980's, Sounderling simulcast WBMX-FM over 1490, and the AM call became WBMX-AM. Advancing in years, Mr. Sounderling sold WBMX-FM, which today is WVAZ, an urban contemporary station covering Chicagoland. He strongly desired to sell his AM station to an owner who would keep an ethnic format. The Polish National Alliance, realizing the potential of radio for Chicago's Polish communities, purchased WOPA. On May 1, 1987, WPNA was born, with its owner's intent to become a community force for Chicago's Poles.

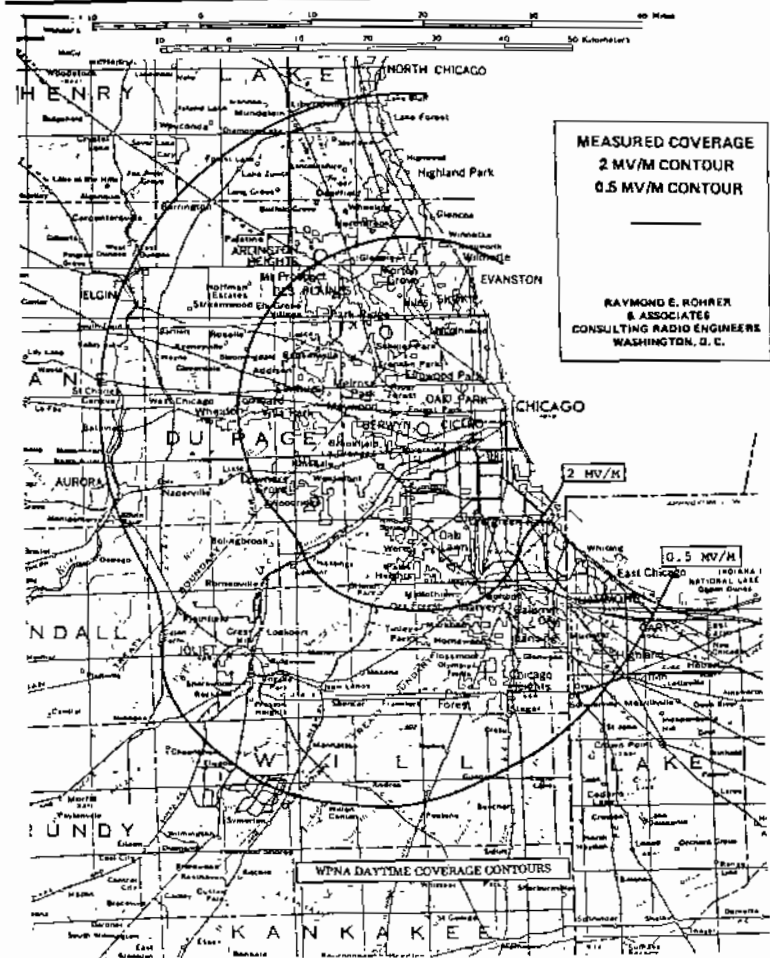
A typical WPNA weekday begins with Sales Director Jerry "Jarek" Obrecki's "Morning Drive Time Polka" show. Jerry, who grew up in Brooklyn's Polish Greenpoint section, has worked at WOPA - WBMX - WPNA for over 18 years. The polkas and commercials are either in English or Polish - the client makes the decision. Traffic, weather, news, and information for the Polish communities, join a diet of happy Polka music for Jerry's listeners which include German, Irish, and Italians, as well as Polish listeners. WPNA possesses a huge collection of Polish CD's for its hosts. From 10:00 to noon, WPNA continues with Polish rock and folk music, with weather and information, programming popular with women at home and workers in the many factories on Chicago's West Side.

Noon begins a daily two hour religion program in Spanish from Radio Renovacion, an organization in the heavily Spanish Humboldt Park section. WPNA returns to Polish programs at 2:00pm, with music, talk, and information. At 5:00pm, WPNA's popular Alvicja Sliwa talks the WPNA airways with her open mike talk show, hosting telephone talk on issues crucial to Chicago's Poles. She never lacks for callers, and the conversation can get very animated. For the most part WPNA hosts purchase their time and sell their own commercials. Some WPNA "personalities" are Andrzej Szopa, Wokol Has, Ryth I. Aktualnoci, Barbara Oralexska, Sylvertor Skora, Xaldemar Kocon, among others. While not exactly household names throughout Chicago, the hosts do build regular audiences in their neighborhoods.

After 7:00pm through the night WPNA airs music and information all night, claiming a dedicated audience of factory workers and cleaning ladies. News from Poland and Chicago is aired all night.

**Chicagoland's 24-HOUR
Specialized Radio Buy**

**WPNA
1490 kc**



Owned and operated by Alliance Communications, Inc. President: Edward J. Moskal
General Manager: Margaret Sas; Sales Manager: Jerry Obrecki; Offices and Transmitter:
408 S. Oak Park Ave., Oak Park, IL 60302.
1000 Watt - 24 Hour

(312) 846-8980

Saturday is Irish Day at WPNA. Some of the Irish hosts have bought time over the station since it first went on the air in 1950. Gaelic melodies and information for the Irish of Chicago airs from 8:00am to 1:00pm and from 6:30pm (after the Arabic program) until 9:00pm. The Hagerty Family Program has been a WOPA - WPNA staple since 1950, and several generations of Hagertys have hosted it over the decades! Saturday also airs a two hour service from St. Nicholas Ukrainian Cathedral. The rest of the day is Polish, including "Emile's Sunshine Polka Show" and Joe Kalega's "Happy Hearts Polka Show". A unique cast of characters makes the trip up to the WPNA penthouse every day!

Sunday is religion day at WPNA, with services in the morning and evening from a number of Black gospel churches, some of whom have been on for years, and more Polish programming. From 4:00am to 6:30am, WPNA carries public service programs. The Rosary is said each Sunday

at 5:00pm in Polish, of course.

The entire broadcast week is brokered except for Jerry Obrecki's morning drive show, a taped overnight polka show by Jerry, the public service programs, and John Gornby's Sunday night blues show. John has a huge collection of blues records from which he draws entertainment for his listeners.

Sociological segmentation exists even among elements of Chicago's Poles. The immigrants from the rural Polish Highlands area have located primarily around Archer Avenue and Pulaski Avenue, on Chicago's southwest side. Some members of this community purchase time to broadcast polka music dear to the Highlanders. The urban Polish transplants have focused on Chicago's northwest area with its focal point being the commercial hub at Milwaukee and Pulaski Avenue. This intersection, in St. Hyacinth's Roman Catholic Parish, where many masses are said in Polish, is Chicago's most populated Polish area. In fact, the CTA O'Hare Airport Rapid Transit Line serves as the spine for Chicago's Polish neighborhoods, with several hundred thousand Poles living along this rail operation. Rush hour trains are packed with women talking in their native Polish tongue and business travelers headed for flights from O'Hare.

WPNA's hosts sell their advertising usually to businesses in their neighborhoods. Most of the sponsors are flower shops, Ma and Pa food stores, Polish night clubs, restaurants, real estate and insurance agents, driving schools, travel agencies and packaging and shipping services who ship to Poland.

WPNA's penthouse contains General Manager Margaret Sas' office, Jerry Obrecki's sales office, the library of thousands of Polish CDs, and three studios. WPNA's facility closely resembles those found in all stations through the 1930's and 40's when much of the programming was live. The huge Studio A has frequently housed entire Polish bands, complete with the drummers and accordion player. Imagine the noise resounding through the penthouse! Production work occurs in Studio D, and Studio B headquarters Jerry's morning drive polka program.

Atop the penthouse is WPNA's 102.8 foot high self supported tower. 120 buried copper radials terminating at a copper bus around the edge of the building ground the antenna. This system is not attached to water pipes as is the case with many rooftop antennas. Some of the copper wires form a network over the air shaft in the back of the building. The fire escape provides both a vantage point to look at the antenna system and a spectacular view of Chicago's skyline.

WPNA is indeed one of America's most unusual radio stations, in that it is the country's only full service Polish broadcast facility.

The Editor thanks Margaret Sas, WPNA GM, and Jerry Obrecki, Sales Manager for all of their help in the preparation of this very interesting, and unusual Station Profile.

The Challenging Crystal Set

For hobbyists demanding the ultimate DX challenge, Ray Cole's publication detailing step-by-step procedures in building a crystal set is for you! Only \$3.50... order from NRC Publications. (NY residents, add sales tax)



The NRC AM Radio Log, 15th Edition, is the standard listing of AM radio stations in the U. S. and Canada. Cross-referenced, 3-hole punched for standard binders. Only \$16.95 to U. S. and Canadian members; \$19.95 to U. S. non-NRC members; \$20.95 Canadian non-NRC members. Airmail: to Latin America, \$21.00; Europe, \$24.00; rest of the world: \$28.00.

Order from: NRC Publications - Box 164 - Mannsville, NY 13661 (NY residents, please add sales tax)

Professional Sports Networks

Barry S. Finkel BSFINKEL@ANL.gov
10314 S. Oakley
Chicago, IL 60643-2409

Network listings for team sports stations

Here is flagship information for the 1994/1995 International Hockey League and the 1994/1995 Continental Basketball Association. This information comes from local newspapers in the Chicago Public Library collection. I assume that most of these are one-station networks, but I don't know that for sure. Please send me any flagship information that I do not have here, including the names of the announcers. Thanks.

International Hockey League (IHL) 1994/1995

Atlanta Knights	790	WQXI-GA
Chicago Wolves	92.7	WCBR-IL
Cincinnati Cyclones	1360	WAOZ-OH
Cleveland Lumberjacks	1330	WELW-OH
Denver Grizzlies	92.1	KYBG-CO
Detroit Vipers	1310	WMTG-MI
Fort Wayne Komets	1190	WOWO-IN ?
Houston Aeros	1230	KNUZ-TX
Indianapolis Ice	1430	WMYS-IN
Kalamazoo Wings	---	---MI
Kansas City Blades	980	KMBZ-MO
Las Vegas Thunder	1460	KENO-NV
Milwaukee Admirals	1130	WISN-WI
Minnesota Moose	950	KJJO-MN
Peoria Rivermen	102.3	WTAZ-IL
Phoenix Roadrunners	1360	WGME-AZ
San Diego Gulls	1170	KCBQ-CA

Iudd Sirott

C-FAX RADIO 1070 LTD.
The Melior Building 825 Droughton St.
Victoria BC V8W 1E5

AM STEREO



Kevin Gallant, Jon Sandler

Continental Basketball Association (CBA) 1994/1994

Chicago Rockers	1000	WMVP-IL	(formerly Wichita Falls Texans)
Fort Wayne Fury	---	---IN	
Grand Rapids Mackers	---	---MI	
Harrisburg Hammerheads	---	---PA	(formerly Rochester Renegades)
Hartford Hellcats	1360	WDRC-CN	
Mexico Aztecas	---	---	(formerly Fargo-Moorhead Fever)
Oklahoma City Cavalry	640	WWLS-OK	
Omaha Racers	1180	KOIL-NE	
Pittsburgh Piranhas	860	WYJZ-PA	(formerly LaCrosse Catbirds)
	730	WPIT-PA	
Quad City Thunder	---	---	
Rapid City Thrillers	---	---SD	
Rockford Lightning	100.9	WQFL-IL	
Shreveport Crawdads	---	---LA	(formerly Columbus Horizon)
Sioux Falls Skyforce	1140	KSOU-SD	
Tri-City Chinook	---	---WA	
Yakima Sun Kings	---	---WA	

Official NRC Stationery
Professionally printed with a new design... just what you need for those verie requests, or for any correspondence. Sold in 100-sheet packs for \$5.00. Order from NRC Publications - Box 164 - Mannsville, NY 13661. NY orders, please add sales tax.

MWDX-6 Phasing Unit ... by Mark Connelly - WA1ION

Introduction

The MWDX-6 provides antenna phasing with improved signal-to-noise ratios at low-signal rural locations. Two BUF-A buffer amplifiers are used: one on each antenna input line. Active capacitively-coupled (AC) and active inductively-coupled (AL) functions provide high gain and good coupling with a wide variety of input loads / antenna lengths. The passive capacitively-coupled (PC) function allows the MWDX-6 to be used at urban sites where amplification is not desirable. The unit also offers a bypass (BP) function which routes the antenna input around the tuned circuits. This is advantageous for rapid bandscanning / parallel-frequency checking, also the BP function is used when the output from a loop antenna supplies signal. The antenna coupling function is independently selectable for each of the two antennas. Usually the same function would be chosen for both lines; exceptions to this rule would be in loop-versus-wire or longwire-versus-shortwire phasing applications.

Future buffer card designs may be swapped into the unit later without changing other features. If amplifiers with substantially - better noise figures or superior intermodulation-distortion (IMD) specifications become available, such a swap would be desirable. As it stands, the current MWDX-6, with two BUF-A's, performs well. Two of the low-IMD whip amplifiers currently under design and evaluation by Dallas Lankford may suit this application.

Noise-reducing antenna considerations have been accommodated by the inclusion of two isolation transformers (T1, T2) on the inputs. When suitable "quiet" grounds or counterpoise wires are part of the antenna layout, one or both transformers can be switched in to reduce local electrical noise. The noise-reduction (NR) input mode may be used for low-noise balanced antenna inputs as well. Remote-site noise-reducing matching-transformer / pad outputs can be connected via coaxial cable to J1 / J3 or J2 / J4. If input mode switches S1 and S2 are set to the Noise-Reduction (NR) mode, the phasing unit may be interfaced correctly with coaxial inputs from low noise antenna systems consisting of a wire antenna and a "field site" earth ground fed to the primary of a (field site) step-down transformer in the 4:1 to 12:1 range; either a Mini-Circuits 19-1-X65 or Nick Hall-Patch's homebrew version consisting of an Amidon F150-43 core with 35 turns primary / 11 turns secondary will work well. The lower impedance output of this field-site transformer is paralleled with 270 to 330 ohms; one secondary lead goes to the shield of the coaxial cable going to the operator's "shack" and the other secondary lead goes to the center conductor of this coaxial cable through a small series resistor in the 5 to 12 ohm range. The resistors form a low-loss matching pad to reduce the degree of mismatch. Excessive mismatch can compromise the shielding effectiveness of the coaxial cable. One such low-noise set-up can be phased against a loop or, even better, against a second low-noise antenna system with different directional properties. In any event, the "shack end" of a Line 1 low-noise coaxial feed is connected to J1 (center) and J3 (shield) of the phasing unit; similarly, if such a coaxial feedline is to be used for Line 2, it should be connected to J2 (center) and J4 (shield).

For further discussion of noise-reduction schemes, the reader is advised to consult my articles "Another Look at Noise-Reducing Antenna Systems" (6 JUL 1992), "Bevmatcher" (15 JAN 1991), and "Antenna Experiments - Summer 1994"; also, check the Nick Hall-Patch / John Bryant article "Impedance Matching a Beverage Antenna to a Receiver" in Proceedings 1988, and the 1991 noise-reducing inverted-L articles by Dallas Lankford and Denzil Wraight. The reader should be advised that the noise being reduced is LOCAL electrical noise of the type caused by 1V sweep oscillator harmonics, light dimmer buzz, and the like. These antenna systems cannot, singly, reduce static from lightning bolts. Such noise CAN be nulled by phasing two antennas if it is coming from far enough away as to approximate a point source not having great incoming-angle variation over time (it is then treated as a "dominant signal" as if it were a broadcast station interfering with desired DX).

The MWDX-6 (unlike Super-MWDX-5) separates the noise-reduction / normal input mode selections from the coupling-function settings. This allows more versatile tuning of noise-reduced antennas.

Because buffer amplifiers are used, there is no need for the series-tuned input configuration requiring the tuning capacitors to be isolated from chassis ground. The longer wires for which series-tuning worked best will tune quite efficiently in the active inductively-coupled (AL) function.

As with previous phasing units, nulls can be obtained which are difficult or impossible to obtain with a loop. Nulls created by phasing are often single-direction nulls; the directional pattern created thereby can approximate the cardioid or end-fire patterns most useful for international medium-wave DXing from the Atlantic and Pacific coastal areas of the USA and Canada. There are a few circumstances when a loop will do better. So it's advisable to have both a loop and a phased-wires (or loop-versus-wire) system available for optimum DXing results.

Wire antennas used should be at least 20 m / 66 ft. long. If two wires are used, there should be an MINIMUM angle of 45 degrees (horizontal and / or vertical) between them for best results. An exception

to this rule can be made for Beverage-length (over 250 m / 820 ft) wires, especially if of different length or if one is terminated and the other is "floating". Good nulls were obtainable by phasing two parallel Beverages during the October 1993 Newfoundland DXpedition.

Organization of article

Table 1:	Controls and Input / Output Connectors
Table 2:	S5 Bandswitch Settings Chart
text:	Operating the MWDX-6
	two-wire phasing
	loop vs. wire phasing
	loop vs. loop phasing
	Building the MWDX-6
Table 3:	hole-drilling list
Table 4:	"upper level" parts list
Table 5:	(A1, A2) BUF-A buffer amplifier card parts list
Table 6:	control orientation conventions
Figure 1:	Input section schematic
Figure 2:	Central section (line 1) schematic
Figure 3:	Central section (line 2) schematic
Figure 4:	Tank / Bandswitch schematic
Figure 5:	Output section schematic
Figure 6:	Chassis pictorial (top)
Figure 7:	Chassis pictorials (left side, right side)
Figure 8:	Assembly pictorial
Figure 9:	C1, C2 mounting details
Figure 10:	(A1, A2) BUF-A buffer amplifier card schematic
Figure 11:	(A1, A2) BUF-A buffer amplifier card assembly



Table 1: MWDX-6 Controls and Input / Output Connectors

Controls location	designation	operational description
left side	S1	Line 1 input mode switch
left side	S2	Line 2 input mode switch
top	C1	Line 1 tuning capacitor
top	C2	Line 2 tuning capacitor
top	R1	Line 1 level (atten.) pot
top	R2	Line 2 level (atten.) pot
top	R3	Null vernier (Q-balance) pot
top	S3	Line 1 function switch
top	S4	Line 2 function switch
top	S5	Bandswitch
top	S6	Output switch

Input / Output Connectors location	designation	operational description	connector type
left side	J1	Line 1 wire input	banana jack
left side	J2	Line 2 wire input	banana jack
left side	J3	earth ground input 1	banana jack
left side	J4	earth ground input 2	banana jack
left side	J5	chassis ground	banana jack
right side	J6	RF output	BNC jack
right side	J7	B+ in	phono jack

Table 2: S5 Bandswitch Settings Chart

Ranges are usually a bit greater than those shown. These ballpark values are for 50-m. / 164-ft. wires. Wire length and coupling mode affect the ranges somewhat. Occasionally a lower or higher S5 range setting will produce better tuning and nulling. A sharp, well-defined

peak near the center of a given tuning capacitor's adjustment range will yield better results than a lower-Q (less sharp) peak near the clockwise or counterclockwise (anticlockwise) end of the capacitor's mechanical adjustment range.

The MWDX-6 family of phasing units has frequency coverage characteristics as noted in the following table:

MODEL: standard MWDX-6 (LWBC: 130-285; MW: 430-1800)

S5 Pos.	S5 Knob Pointer # "o'clock"	Min. Freq. kHz	Max. Freq. kHz	"Main" L ["Tap" L] Tank Inductor Values		
#	"o'clock"	kHz	kHz	L#	uH	Mouser Part #
1	9:30	130	180	L1,L13	4700	434-1120-473K
["	"	"	L7,L19	1000	43LR103
2	10:30	180	285	L2,L14	2200	434-1120-223K
["	"	"	L8,L20	470	43LR474
3	11:30	430	630	L3,L15	470	43LR474
["	"	"	L9,L21	100	43LR104
4	12:30	630	880	L4,L16	220	43LR224
["	"	"	L10,L22	47	43LR475
5	1:30	880	1260	L5,L17	100	43LR104
["	"	"	L11,L23	22	43LR225
6	2:30	1260	1800	L6,L18	47	43LR475
["	"	"	L12,L24	10	43LR105

MODEL: MWDX-6A (LW & MW: 145-2700)

S5 Pos.	S5 Knob Pointer # "o'clock"	Min. Freq. kHz	Max. Freq. kHz	"Main" L ["Tap" L] Tank Inductor Values		
#	"o'clock"	kHz	kHz	L#	uH	Mouser Part #
1	9:30	145	230	L1,L13	3900	434-1120-393K
["	"	"	L7,L19	820	43LR824
2	10:30	230	375	L2,L14	1500	434-1120-153K
["	"	"	L8,L20	330	43LR334
3	11:30	375	620	L3,L15	560	43LR564
["	"	"	L9,L21	120	43LR124
4	12:30	620	1050	L4,L16	220	43LR224
["	"	"	L10,L22	47	43LR475
5	1:30	1050	1600	L5,L17	82	43LR825
["	"	"	L11,L23	18	43LR185
6	2:30	1600	2700	L6,L18	33	43LR335
["	"	"	L12,L24	6.8	43LR686

Table 2 (continued)

MODEL: MWDX-6B (extended LW: 90-880)

S5 Pos.	S5 Knob Pointer # "o'clock"	Min. Freq. kHz	Max. Freq. kHz	"Main" L ["Tap" L] Tank Inductor Values		
#	"o'clock"	kHz	kHz	L#	uH	Mouser Part #
1	9:30	90	130	L1,L13	10000	434-1120-104K
["	"	"	L7,L19	2200	434-1120-223K
2	10:30	130	180	L2,L14	4700	434-1120-473K
["	"	"	L8,L20	1000	43LR103
3	11:30	180	285	L3,L15	2200	434-1120-223K
["	"	"	L9,L21	470	43LR474
4	12:30	285	430	L4,L16	1000	43LR103
["	"	"	L10,L22	220	43LR224
5	1:30	430	630	L5,L17	470	43LR474
["	"	"	L11,L23	100	43LR104
6	2:30	630	880	L6,L18	220	43LR224
["	"	"	L12,L24	47	43LR475

It may not be perfect ...

but the NRC Log, 15th Edition is, simply, the best there is because of your contributions. Why not make the updaters and 16th edition even better? Send all corrections and changes to Wayne Heinen - 4131 S. Andes Way - Aurora, CO 80013-3831. Thanks!

MODEL: MWDX-6C (MW, tropical: 375-6500)

S5 Pos.	S5 Knob Pointer # "o'clock"	Min. Freq. kHz	Max. Freq. kHz	"Main" L ["Tap" L] Tank Inductor Values		
#	"o'clock"	kHz	kHz	L#	uH	Mouser Part #
1	9:30	375	620	L1,L13	560	43LR564
["	"	"	L7,L19	120	43LR124
2	10:30	620	1050	L2,L14	220	43LR224
["	"	"	L8,L20	47	43LR475
3	11:30	1050	1600	L3,L15	82	43LR825
["	"	"	L9,L21	18	43LR185
4	12:30	1600	2700	L4,L16	33	43LR335
["	"	"	L10,L22	6.8	43LR686
5	1:30	2700	4000	L5,L17	12	43LR125
["	"	"	L11,L23	2.7	43LR276
6	2:30	4000	6500	L6,L18	4.7	43LR476
["	"	"	L12,L24	1	43LR106

Table 2 (continued)

MODEL: MWDX-6D (extended tropical, SWBC: 1260-12500)

S5 Pos.	S5 Knob Pointer # "o'clock"	Min. Freq. kHz	Max. Freq. kHz	"Main" L ["Tap" L] Tank Inductor Values		
#	"o'clock"	kHz	kHz	L#	uH	Mouser Part #
1	9:30	1260	1800	L1,L13	47	43LR475
["	"	"	L7,L19	10	43LR105
2	10:30	1800	2800	L2,L14	22	43LR225
["	"	"	L8,L20	4.7	43LR476
3	11:30	2800	4000	L3,L15	10	43LR105
["	"	"	L9,L21	2.2	43LR226
4	12:30	4000	6500	L4,L16	4.7	43LR476
["	"	"	L10,L22	1	43LR106
5	1:30	6500	8800	L5,L17	2.2	43LR226
["	"	"	L11,L23	0.47	43LR477
6	2:30	8800	12500	L6,L18	1	43LR106
["	"	"	L12,L24	0.22	43LR227

MODEL: MWDX-6E (reduced coupling efficiency) (90-8800)

Note: For this configuration, S5 is a 2-pole, 12-position switch. The inductors on the S5A section (L1 through L12) are joined at "IN-1B" of Figure 4 and a 68 ohm resistor is connected to ground from this point (instead of the old S5C section). The inductors on the S5B section (L13 through L24) are joined at "IN-2B" of Figure 4 and a 68 ohm resistor is connected to ground instead of the old S5D section.

S5 Pos.	S5 Knob Pointer # "o'clock"	Min. Freq. kHz	Max. Freq. kHz	Tank Inductor Values		
#	"o'clock"	kHz	kHz	L#	uH	Mouser Part #
1	6:00	90	130	L1,L13	10000	434-1120-104K
2	7:00	130	180	L2,L14	4700	434-1120-473K
3	8:00	180	285	L3,L15	2200	434-1120-223K
4	9:00	285	430	L4,L16	1000	43LR103
5	10:00	430	630	L5,L17	470	43LR474
6	11:00	630	880	L6,L18	220	43LR224
7	12:00	880	1260	L7,L19	100	43LR104
8	1:00	1260	1800	L8,L20	47	43LR475
9	2:00	1800	2800	L9,L21	22	43LR225
10	3:00	2800	4000	L10,L22	10	43LR105
11	4:00	4000	6500	L11,L23	4.7	43LR476
12	5:00	6500	8800	L12,L24	2.2	43LR226

RADIO SOUTHERN MANTOBA

HEAD OFFICE: ALTONA, MAN., CANADA
100 BOX 500, REG. B.

Operating the MWDX-6

Figures 1 through 5 are the schematics of the MWDX-6. Please refer to them during the discussion of phasing procedure. See Tables 2 and 6 for physical positioning of switches.

Nulling procedures sound complicated at first, but are quickly executed once learned. The user should practice during non-skip daylight conditions on "graveyard" and regional channels having discernable subdominants to get familiar with operation of the controls before attempting nighttime nulls of unsteady signals. As with a loop, solid nulls of skip stations closer than 500 miles / 800 km, especially above 1 MHz, are difficult because of the rapid changes in vertical (and sometimes horizontal) arrival angles inherent in high-angle skip. Such nulls are better when using phased Beverages than when using a loop, loop versus loop, loop versus wire, or phased shorter wires.

1.0 MWDX-6 Two Wire Phasing Procedure**1.1 ** INITIALIZE CONNECTIONS AND CONTROLS ****

- J1: connect Antenna #1 wire.
- J2: connect Antenna #2 wire.
- J3: if a noise reducing ground for Antenna #1 is available, connect it; otherwise, no connection is needed.
- J4: if a noise reducing ground for Antenna #2 is available, connect it; otherwise, no connection is needed.
- J5: this may be connected to mains, earth, or vehicle ground if doing so improves signal-to-noise ratio. This would be done more often with portable receivers than with tabletop communications models having a metal case.
- J6: connect, via coaxial cable, to the receiver input, or to the input of a tunable preselector between the phasing unit output and the receiver input.
- J7: connect this to a DC power source of +11 VDC minimum, +25 VDC maximum. If you don't intend to use the active (AC or AL) functions, DC power will not be necessary.
- S1: set to NORM unless using a noise-reduced input pair at J1 and J3 for Antenna #1 (in that case, set S1 to NR).
- S2: set to NORM unless using a noise reduced input pair at J2 and J4 for Antenna #2 (in that case, set S2 to NR).
- S3: set to Active Capacitively-Coupled (AC) (or to a different position, depending on experimentation that leads to having determined the best position for a given Antenna #1, consistent with maximum usable signal with no spurious responses).
- S4: set to Active Capacitively-Coupled (AC) (or to a different position giving best results for Antenna #2).
- S5: set for the correct frequency range, according to Table 2.
- R1: set to fully counterclockwise (minimum attenuation).
- R2: set to fully counterclockwise (minimum attenuation).
- R3: set to center of mechanical adjustment range.



Radio Winnipeg

1.2 ** PEAK LINE 1 **

Set S6 to (Line) 1. Tune Line 1 by peaking desired-frequency signal strength with C1. At this time, leave C1 at its peaked-signal position. NOTE THE SIGNAL STRENGTH (observe S-meter, if available, or note audible level)

[At this time, other positions of Line 1 Function switch S3 may be tried to see if greater signal transfer is possible. Re-adjustment of C1, and possibly S5, may be needed to re-establish a peaked condition. In any event, the peak should have reasonable Q (be well defined) and C1 should not be set too close to fully CW or fully CCW. If objectionable spurious responses are noted, adjust R1 in a clockwise direction until the spurs are not noted with C1 peaked properly OR set S3 to Passive Capacitively-Coupled (PC) function and re-peak C1.]

1.3 ** PEAK LINE 2 **

Set S6 to (Line) 2. Tune Line 2 by peaking desired-frequency signal strength with C2. At this time, leave C2 at its peaked-signal position. NOTE THE SIGNAL STRENGTH (observe S-meter, if available, or note audible level). The notes in Step 1.2 pertaining to S3, C1, and R1 (for Line 1) may also be applied to S4, C2, and R2 as used on Line 2

1.4 ** EQUALIZE LINE 1, LINE 2 LEVELS **

If the dominant-station signal level noted when peaking Line 1 with C1 (Step 1.2) is comparable (within 3 dB on meter, or not audibly different) to the strength noted when peaking Line 2 with C2 (Step 1.3), proceed to Step 1.5.

>>>

If the dominant-station signal level noted when peaking Line 1 with C1 (Step 1.2) is noticeably greater than the strength noted when peaking Line 2 with C2 (Step 1.3), switch S6 between Line 1 and Line 2 while adjusting R1 to make the observed signals equal on the S-meter (or not audibly different). Then, proceed to Step 1.5.

>>>

If the dominant-station signal level noted when peaking Line 2 with C2 (Step 1.3)

is noticeably greater than the strength noted when peaking Line 1 with C1 (Step 1.2), switch S6 between Line 1 and Line 2 while adjusting R2 to make the observed signals equal on the S-meter (or not audibly different). Then, proceed to Step 1.5.

1.5 ** INITIALIZE NULL **

Set S6 to Null-a and then to Null-b. If one of these positions shows noticeably-better reduction of the dominant signal, leave S6 at that setting and proceed to Step 1.6.

>>>

If R1 and R2 positions are approximately the same (e. g. both fully counterclockwise), or R2 is closer to its initial CCW setting, set S6 to Null-a and adjust C1 for a null of the dominant station.

Do the same with S6 set to Null-b. Leave S6 at the position which gives the deeper, sharper null when you adjust C1. If there's little difference in null depth or sharpness between the two S6 null positions, select the S6 position that results in C1 being set closer to the center of its mechanical adjustment range when a null is produced. Make a few small re-adjustments of C1 and R1 to improve null depth. Then, proceed to Step 1.6.

>>>

If R1 is closer than R2 to its initial CCW setting, set S6 to Null-a and adjust C2 for a null of the dominant station. Do the same with S6 set to Null-b. Leave S6 at the position which gives the deeper, sharper null when you adjust C2. If there's little difference in null depth or sharpness between the two S6 null positions, select the S6 position that results in C2 being set closer to the center of its mechanical adjustment range when a null is produced. Make a few small re-adjustments of C2 and R2 to improve null depth. Then, proceed to Step 1.6.

1.6 ** FINALIZE NULL **

Do the final null "touch-up" with an interactive adjustment of C1, C2, and R3.

2.0 MWDX-6 Loop-versus-Wire Phasing Procedure**NOTES:**

The loop should be equipped with a Q-spoiling resistor of approximately 22K across its parallel-tuned LC tank. A 50K potentiometer (initially set to center) might be substituted; it can provide an added control over nulling if desired. The pot or fixed resistor should be easily removable (switch or clips) to facilitate stand-alone (high-Q) loop usage.

A loop used in a phasing application is usually oriented for best directivity toward desired DX signals, whether or not that position reduces the dominant. Sometimes orienting the loop for MAXIMUM dominant signal pick-up, or for dominant level equal to that from the wire, can actually help nulling

2.1 ** INITIALIZE CONNECTIONS AND CONTROLS **

- J1: connect Antenna #1 wire.
- J2: connect center of coaxial cable from loop output.
- J3: if a noise reducing ground for Antenna #1 is available, connect it; otherwise, no connection is needed.
- J4: connect shield of coaxial cable from loop output.
- J5: this may be connected to mains, earth, or vehicle ground if doing so improves signal-to-noise ratio. This would be done more often with portable receivers than with tabletop communications models having a metal case.
- J6: connect, via coaxial cable, to the receiver input, or to the input of a tunable preselector between the phasing unit output and the receiver input.
- J7: connect this to a DC power source of +11 VDC minimum, +25 VDC maximum. If you don't intend to use the active (AC or AL) functions, DC power will not be necessary.



1420 CKPT 106.1 CKQM FM
340 George St. N. P.O. Box 177
Peterborough, Ontario K9J 6Y8

- S1: set to NORM unless using a noise-reduced input pair at J1 and J3 for Antenna #1 (in that case, set S1 to NR).
 S2: set to NORM.
 S3: set to Active Capacitively-Coupled (AC) (or to a different position, depending on experimentation that leads to having determined the best position for a given Antenna #1, consistent with maximum usable signal with no spurious responses).
 S4: set to Bypass (BP).
 S5: set for the correct frequency range, according to Table 2.
 R1: set to fully counterclockwise (minimum attenuation).
 R2: set to fully counterclockwise (minimum attenuation).
 R3: set to center of mechanical adjustment range.

2.2 ** PEAK LINE 1 **

Set S6 to (Line) 1. Tune Line 1 by peaking desired-frequency signal strength with C1. At this time, leave C1 at its peaked-signal position. NOTE THE SIGNAL STRENGTH (observe S-meter, if available, or note audible level).

[At this time, other positions of Line 1 Function switch S3 may be tried to see if greater signal transfer is possible. Re-adjustment of C1, and possibly S5, may be needed to re-establish a peaked condition. In any event, the peak should have reasonable Q (be well defined) and C1 should not be set too close to fully CW or fully CCW. If objectionable spurious responses are noted, adjust R1 in a clockwise direction until the spurs are not noted with C1 peaked properly OR set S3 to Passive Capacitively-Coupled (PC) function and re-peak C1.]

2.3 ** PEAK LINE 2 **

Set S6 to (Line) 2. Tune Line 2 by peaking the loop's tuning capacitor. Leave the loop tuning capacitor at its peaked-signal position. NOTE THE SIGNAL STRENGTH (observe S-meter, if available, or note audible level).

Review of the DX'Pedition Handbook

by Brent Taylor, VE1JH

I have just finished reading the new NRC publication "The DX'Pedition Handbook" by Shawn Axelrod. It is a piece of work which should not be missed by any serious DXer, especially those interested in TA work and, more importantly, those living East of the Mississippi.

In addition to some excellent summary information on the art and science of DXing from portable and remote receiving station setups, the 80 page book includes extensive lists of stations heard on two separate DX'Peditions to Newfoundland by NRCers Mark Connelly, Neil Kazaross, Jean Burnell and Bruce Conti

The first 29 pages of this handbook are author Axelrod's tips and hints for pulling off a successful DX'Pedition. Covered are equipment, antennas, special power requirements and charts for split frequencies and foreign phonetic alphabets.

The two Newfoundland DX'Peditions are treated as completely separate events, which is appropriate considering they occurred two years apart. Following an extensive narrative on each trip, lists of stations are included broken down by region. The DXers heard 65 countries on the first trip and 92 on the second.

There is no question that this project has brought together some of the best MW DXing talent in the business. It is a credit to them and to the NRC that their experiences have been recorded in a readable and usable fashion.

After reading the DX'Pedition Handbook you will likely want to hop right into the car and set off into the wilderness. Certainly, at the very least, you will want to make friends with Mark, Jean, Bruce and Neil in the hopes they will let you tag along next time they go DXing.

The DX'Pedition Handbook is available from the NRC Publications Center, P.O. Box 164, Mannsville, NY, 13661-0164, USA. Members' price \$8.95, non-members \$12.95.

(This is an unsolicited and uncompensated review from Brent Taylor, VE1JH, a DXer living in Doaktown, N.B., Canada.)

Join the verification game!

Now, you can help out with station tests. Here's how: Send two 28c stamps per station to Jeff Tyma - 10350 Severance Dr. - Parker, CO 80134-9104, and he'll print and mail an effective test request letter for you. Be sure to specify station and time. Increase your veries and help other NRC'ers at the same time ... Join the verification game!

2.4 ** EQUALIZE LINE 1, LINE 2 LEVELS **

If the dominant-station signal level noted when peaking Line 1 with C1 (Step 2.2) is comparable (within 3 dB on meter, or not audibly different) to the strength noted when peaking Line 2 with the loop tuning capacitor (Step 2.3), proceed to Step 2.5.

>>>

If the dominant-station signal level noted when peaking Line 1 with C1 (Step 2.2) is noticeably greater than the strength noted when peaking Line 2 with the loop tuning capacitor (Step 2.3), switch S6 between Line 1 and Line 2 while adjusting R1 to make the observed signals equal on the S-meter (or not audibly different). Then, proceed to Step 2.5.

>>>

If the dominant-station signal level noted when peaking Line 2 with the loop tuning capacitor (Step 2.3) is noticeably greater than the strength noted when peaking Line 1 with C1 (Step 2.2), switch S6 between Line 1 and Line 2 while adjusting R2 to make the observed signals equal on the S-meter (or not audibly different). Then, proceed to Step 2.5.

2.5 ** INITIALIZE NULL **

Set S6 to Null-a and then to Null-b. If one of these positions shows noticeably-better reduction of the dominant signal, leave S6 at that setting and proceed to Step 2.6.

>>>

If R1 and R2 positions are approximately the same (e. g. both fully counterclockwise), or R2 is closer to its initial CCW setting, set S6 to Null-a and adjust C1 for a null of the dominant station.

Do the same with S6 set to Null-b. Leave S6 at the position which gives the deeper, sharper null when you adjust C1. If there's little difference in null depth or sharpness between the two S6 null positions, select the S6 position that results in C1 being set closer to the center of its mechanical adjustment range when a null is produced. Make a few small re-adjustments of C1 and R1 to improve null depth. Then, proceed to Step 2.6.

>>>

If R1 is closer than R2 to its initial CCW setting, set S6 to Null-a and adjust the loop tuning capacitor for a null of the dominant station. Do the same with S6 set to Null-b. Leave S6 at the position which gives the deeper, sharper null when you adjust the loop cap. If there's little difference in null depth or sharpness between the two S6 null positions, select the S6 position that results in the loop cap. being set closer to the center of its mechanical adjustment range when a null is produced. Make a few small re-adjustments of R2 and the loop capacitor to improve null depth. Then, proceed to Step 2.6.

2.6 ** FINALIZE NULL **

Do the final null "touch-up" with an interactive adjustment of C1, the loop tuning capacitor, and R3. Slight physical re-positioning of the loop may also help to finalize the null.

If a 50K pot (initially set to center, approximately 25K) had been installed across the loop coil (instead of the approximately-22K fixed resistor), it may also be touched up for null completion.

3.0 MWDX-6 Loop-versus-1 oop Phasing Procedure

NOTES:

Each loop should be equipped with a Q-spoiling resistor of approximately 22K, or a 50K pot set to center (25K), across its parallel-tuned LC tank. Q-spoiling components should be removable for normal stand-alone loop usage.

Two-loop phasing works best when the loops are aimed at bearings that are angularly separated by more than 60 degrees and less than 120 degrees. Orthogonal (90 degree) positioning is customary, with the bisector of the angle between the loops pointing towards the direction of interest. Example: To produce a cardioid pattern nulling west and peaking east (or, for that matter, nulling east and peaking west), Loop #1 can be aligned northeast / southwest and Loop #2 set to southeast / northwest. Loops should have comparable gains for best nulling results.

3.1 ** INITIALIZE CONNECTIONS AND CONTROLS **

- J1: connect center of coaxial cable from Loop #1 output.
- J2: connect center of coaxial cable from Loop #2 output.
- J3: connect shield of coaxial cable from Loop #1 output.
- J4: connect shield of coaxial cable from Loop #2 output.
- J5: this may be connected to mains, earth, or vehicle ground if doing so improves signal-to-noise ratio. This would be done more often with portable receivers than with tabletop communications

models having a metal case.

- J6: connect, via coaxial cable, to the receiver input, or to the input of a tunable p r e s e l e c t o r between the phasing unit output and the receiver input.
- J7: no connection is needed.
- S1: set to NORM.
- S2: set to NORM.
- S3: set to Bypass (BP).
- S4: set to Bypass (BP).
- S5: position is irrelevant.
- R1: set to fully counterclockwise (minimum attenuation).
- R2: set to fully counterclockwise (minimum attenuation).
- R3: position is irrelevant.

Nestle.ville.ON
CRUN

3.2 ** PEAK LINE 1 **

Set S6 to (Line) 1. Tune Line 1 by peaking desired-frequency signal strength with Loop #1 Tune (the tuning capacitor on Loop #1). At this time, leave Loop #1 Tune at its peaked-signal position. NOTE THE SIGNAL STRENGTH (observe S-meter, if available, or note audible level).

3.3 ** PEAK LINE 2 **

Set S6 to (Line) 2. Tune Line 2 by peaking Loop #2 Tune (the tuning capacitor on Loop #2). Leave Loop #2 Tune at its peaked-signal position. NOTE THE SIGNAL STRENGTH (observe S-meter, if available, or note audible level).

3.4 ** EQUALIZE LINE 1, LINE 2 LEVELS **

If the dominant-station signal level noted when peaking Loop #1 (Step 3.2) is comparable (within 3 dB on meter, or not audibly different) to the strength noted when peaking Loop #2 (Step 3.3), proceed to Step 3.5.

>>>

If the dominant-station signal level noted when peaking Loop #1 (Step 3.2) is noticeably greater than the strength noted when peaking Loop #2 (Step 3.3), switch S6 between Line 1 and Line 2 while adjusting R1 to make the observed signals equal on the S-meter (or not audibly different). Then, proceed to Step 3.5.

>>>

If the dominant-station signal level noted when peaking Loop #2 (Step 3.3) is noticeably greater than the strength noted when peaking Loop #1 (Step 3.2), switch S6 between Line 1 and Line 2 while adjusting R2 to make the observed signals equal on the S-meter (or not audibly different). Then, proceed to Step 3.5.

3.5 ** INITIALIZE NULL **

Set S6 to Null-a and then to Null-b. If one of these positions shows noticeably-better reduction of the dominant signal, leave S6 at that setting and proceed to Step 3.6.

>>>

If R1 and R2 positions are approximately the same (e. g. both fully counterclockwise), or R2 is closer to its initial CCW setting, set S6 to Null-a and adjust Loop #1 Tune for a null of the dominant station. Do the same with S6 set to Null-b. Leave S6 at the position which gives the deeper, sharper null when you adjust Loop #1 Tune. If there's little difference in null depth or sharpness between the two S6 null positions, select the S6 position that results in Loop #1 Tune being set closer to the center of its mechanical adjustment range when a null is produced. Make a few small re-adjustments of Loop #1 Tune and R1 to improve null depth. Then, proceed to Step 3.6.

>>>

If R1 is closer than R2 to its initial CCW setting, set S6 to Null-a and adjust Loop #2 Tune for a null of the dominant station. Do the same with S6 set to Null-b. Leave S6 at the position which gives the deeper, sharper null when you adjust Loop #2 Tune. If there's little difference in null depth or sharpness between the two S6 null positions, select the S6 position that results in Loop #2 Tune being set closer to the center of its mechanical adjustment range when a null is produced. Make a few small re-adjustments of Loop #2 Tune and R2 to improve null depth. Then, proceed to Step 3.6.

3.6 ** FINALIZE NULL **

Do the final null "touch-up" with an interactive adjustment of Loop #1 Tune, Loop #2 Tune, and whichever pot (R1 or R2), is not set to a fully counterclockwise position. Slight re-positioning of each loop may also help to finalize the null. If either, or both, loops have a 50K Q-pot (instead of a fixed resistor) across its coil, touch such pots up for null completion.

Building the MWDX-6 Phasing Unit

The documentation (schematics, assembly drawings, parts lists, hole lists, etc.) serves as the starting point. The following procedure should serve as an outline for the builder. This is NOT a beginner's project. Some experience in electronic "homebrewing" is advisable.



Four Seasons Radio
Box 1240
Bancroft, Ontario
K0L 1C0

- Gather all necessary parts (see Tables 2, 4, 5). Prepare work area with appropriate tools.
- Drill out chassis box, in accordance with Table 3.
- Assemble the two BUF-A Buffer Amplifier Cards to be used for A1 and A2. Refer to Figures 10 and 11 and Table 5.
- Pre-wire the bandswitch (S5) per Table 2 and Figure 4.
- Pre-wire S3 and S4 function switches in accordance with the detail in Figure 2.
- Pre-wire the output switch (S6) in accordance with the detail in Figure 5.
- Mount vernier knobs and tuning capacitors (C1, C2) per Tables 3 and 4 and Figures 6 and 9.
- Mount the following components in the chassis box per pictorials (Figures 6, 7, 8) and parts list (Table 4):
LEFT SIDE: J1, J2, J3, J4, J5, S1, S2, G1
TOP SIDE: R1, R2, R3, G2, S5, S3, S4, S6
RIGHT SIDE: A1, J7, G3, J6, A2
Note that each grounding hardware assembly (G1, G2, G3) consists of a 4-40 X 0.375" screw, a #4 solder lug, and a 4-40 hex nut. The lug and the nut are on the inside of the chassis box; the head of the attached screw is outside the box.
- Install remaining electrical components and wiring inside the chassis box in accordance with the parts list (Table 4), the assembly pictorial (Figure 8), and the schematics (Figures 1 through 5).
- Install knobs on R1, R2, R3, S3, S4, S5, and S6 per Figure 6 and Table 4.

Table 3: MWDX-6 hole-drilling list

X = Horizontal distance, in inches, from the vertical centerline (VCL) on the side observed. Negative values of X are left of VCL, positive values of X are right of VCL.
Y = Vertical distance, in inches, from the bottom horizontal edge of the side observed.
D = Hole diameter in inches.

Hole loci are first marked on the box with a scribe and are then drilled with a .125" bit. Subsequently, as required, the holes are enlarged to the proper size by using progressively larger bits up to that corresponding to the final desired diameter.

Chassis Box = Mouser # 537-TF-782: 7" X 5" X 3"

LEFT SIDE

Hole #	Comp. Desig.	Description	X	Y	D
1	S1	Line 1 Input switch - shaft	-1.5	1.5	0.25
2	S1	Line 1 Input switch - tab	-1.5	1.25	0.125
3	J1	Line 1 ant. - red banana jack	-1.5	0.5	0.3125
4	J3	GND1 In - black banana jack	-0.75	0.5	0.3125
5	G1	grounding H/W - internal lug	0.0	1.125	0.125
6	J5	chas. GND-black banana jack	0.0	0.5	0.3125
7	J4	GND2 In - black banana jack	0.75	0.5	0.3125
8	S2	Line 2 Input switch - shaft	1.5	1.5	0.25
9	S2	Line 2 Input switch - tab	1.5	1.25	0.125
10	J2	Line 2 ant. - red banana jack	1.5	0.5	0.3125

How to place mail orders ...

Write to NRC Publications - P. O. Box 164 - Mannsville, NY 13661-0164. Enclose check or money order; NY residents, please add state and local taxes. Please allow 3-6 weeks for shipping.

TOP SIDE

Mounting holes on C1 & C2 must be tapped to 6-32 thread.

Hole #	Comp. Desig.	Description	X	Y	D
1	R1	Line 1 atten. pot - tab	-3.0625	4.0	0.144
2	R1	Line 1 atten. pot - shaft	-2.75	4.0	0.3125
3	R3	Null vernier (Q) pot - tab	-3.0625	2.5	0.144
4	R3	Null vernier (Q) pot - shaft	-2.75	2.5	0.3125
5	R2	Line 2 atten. pot - tab	-3.0625	1.0	0.144
6	R2	Line 2 atten. pot - shaft	-2.75	1.0	0.3125
7	(C1)	C1 vernier knob - Mtg.H/W 1	-1.64	3.25	0.125
8	C1	Line 1 Tuning Cap.-Mtg.H/W 1	-1.463	4.125	0.144
9	C1	Line 1 Tuning Cap. - shaft	-1.0	3.875	0.5
10	C1	Line 1 Tuning Cap.-Mtg.H/W 2	-0.537	4.125	0.144
11	(C1)	C1 vernier knob - Mtg.H/W 2	-0.36	3.25	0.125
12	G2	grounding H/W - internal lug	-1.0	2.5	0.125
13	(C2)	C2 vernier knob - Mtg.H/W 1	-1.64	0.625	0.125
14	C2	Line 2 Tuning Cap.-Mtg.H/W 1	-1.463	1.5	0.144
15	C2	Line 2 Tuning Cap. - shaft	-1.0	1.25	0.5
16	C2	Line 2 Tuning Cap.-Mtg.H/W 2	-0.537	1.5	0.144
17	(C2)	C2 vernier knob - Mtg.H/W 2	-0.36	0.625	0.125
18	S5	Bandswitch - shaft	0.75	2.5	0.375
19	S5	Bandswitch - tab	0.75	2.0	0.144
20	S3	Line 1 Function sw. - shaft	1.5	4.0625	0.375
21	S3	Line 1 Function sw. - tab	1.5	3.5625	0.144
22	S4	Line 2 Function sw. - shaft	1.5	0.875	0.375
23	S4	Line 2 Function sw. - tab	1.5	0.375	0.144
24	S6	Output switch - shaft	2.4375	2.5	0.375
25	S6	Output switch - tab	2.4375	2.0	0.144

RIGHT SIDE

Hole #	Comp. Desig.	Description	X	Y	D
1	A2	Line 2 Buffer Amp.Card-H/W 1	-1.5	2.2	0.125
2	A2	Line 2 Buffer Amp.Card-H/W 2	-1.5	0.6	0.125
3	J7	B+ input - phono jack	0.0	1.75	0.25
4	G3	grounding H/W - internal lug	0.0	1.125	0.125
5	J6	RF out - BNC jack	0.0	0.5	0.375
6	A1	Line 1 Buffer Amp.Card-H/W 1	1.5	2.2	0.125
7	A1	Line 1 Buffer Amp.Card-H/W 2	1.5	0.6	0.125

Table 4: "upper level" parts list

NOTE: Inductors used on handswitch S5 are itemized separately as shown by Table 2 and Figure 4.

*: Note follows parts list.

MID-CANADA
RADIO
245 Oak St. E.
North Bay Ontario
P1B 8P6
TEL (705) 472-1110

Vendor codes for this and subsequent parts lists:

AE = Antique Electronic / 6221 S. Maple Ave.
Supply / Tempe, AZ 85283
/Tel. 1-602-820-5411

GER = Gerber Electronics / 128 Carnegie Row
/ Norwood, MA 02062
/Tel. 1-617-769-4852, 769-6000

MCL = Mini-Circuits Lab. / P. O. Box 350166
/ Brooklyn, NY 11235-0003
/Tel. 1-718-934-4500

MOU = Mouser Electronics / 11433 Woodside Ave.
/ Santee, CA 92071
/Tel. 1-800-346-6873

RS = Radio Shack / Many locations worldwide

Item	Designator	Description/Value	Vendor	Vendor Stock #	QTY
1	-	chassis box 7X5X3"	MOU	537-7F-782	1
2	A1,A2	BUF-A amp. card		(refer to text)	2
3	(C1,2)	vernier knob	MOU	45KN100	2
4	*	knob	RS	274-416	7
5	C1,2	var. cap., 10-365pF	AE	CV-231	2
6	C3,4,7,8,11	capacitor, 0.1 uF	MOU	539-CK05104K	5
7	C5	capacitor, 10 uF	MOU	581-10K35	1
8	C6	capacitor, 0.01 uF	MOU	539-CK05103K	1
9	C9,10	capacitor, 36 pF	MOU	21CB036	2
10	G1,2,3	solder lug, #4	MOU	534-7311	3
11	*	screw, 4-40 X.375"	MOU	572-01881	7
12	G1,2,3	hex nut, 4-40	MOU	572-00484	3
13	*	screw, 4-40 X .25"	MOU	572-01880	8
14	*	spacer, 4-40 X .5"	MOU	534-1450C	4
15	*	split lockwasher, #4	MOU	572-00649	8
16	*	screw, 6-32 X .25"	MOU	572-01888	4
17	*	split lockwasher, #6	MOU	572-00650	8
18	J1,2	red banana jack	RS	274-662	2
19	J3,4	black banana jack	RS	274-662	2

Table 4 - continued

20	J6	BNC jack	RS	278-105	1
21	J7	phono jack	RS	274-346	1
22	R1,2	pot., 1K, linear	MOU	31CT301	2
23	R3	pot., 100K, linear	MOU	31CR501	1
24	R4	resistor, 1 ohm	MOU	29SJ500-1.0	1
25	R5,6	resistor, 20 ohm	MOU	29SJ500-20	2
26	S1,2	switch, 3PDT, on-on	MOU	10TC280	2
27	S3,4	switch/6pole/4pos.r	MOU	10WR064	2
28	S5	switch/4pole/6pos.r	MOU	10WR046	1
29	S6	switch/3pole/4pos.r	MOU	10YX034	1
30	T1,2,3	RF transformer, 1:1	MCL	T1-6-X65	3

Misc. items: hook-up wire, buss wire, solder, labels "AS REQUIRED"

*Item 4 note: one each for for S3, S4, S5, S6, R1, R2, R3

*Item 11 note: one each for G1, G2, G3; two each for C1 vernier knob, C2 vernier knob

*Item 13 note: two each for A1 mount, A2 mount, C1 vernier knob, C2 vernier knob

*Item 14 note: two each for C1 vernier knob, C2 vernier knob

*Item 15 note: two each for A1 mount, A2 mount, C1 vernier knob, C2 vernier knob

*Item 16 note: two each for C1, C2 - see Figure 9.

*Item 17 note: four each for C1, C2 - see Figure 9.



AM Station Map Book

2nd ed. \$8.00, postpaid.

Edited by DDXD editor Bill Hale, this book of station location maps is a companion to the AM Radio Log. Now easier to read than ever, the 170-page book is three-hole punched for a ring binder. Order from NRC Publications - Box 164 - Mannsville, NY 13661. NY orders, please add sales tax.

Table 5: BUF-A Buffer Amplifier card parts list
 Vendor codes per Table 4.
 Schematic = Figure 10 / Assembly = Figure 11.
 Quantities are per-card. Double for total quantity
 required (A1, A2).

Item	Designator	Description/Value	Vendor	Vendor Stock #	QTY
1	BD	perfboard:1.2"X2.0"	RS	276-1396 (cut)	1
2	C1	capacitor, 0.01 uF	MOU	539-CK05103K	1
3	C2	capacitor, 10uF tant	MOU	581-10K35	1
4	C3	capacitor, 0.001 uF	MOU	539-CK05102K	1
5	C4,5	capacitor, 0.1 uF	MOU	539-CK05104K	2
6	H1,2	screw, 4-40 X .25"	MOU	572-01880	2
7	H1,2	spacer, 4-40 X .5"	MOU	534-1450C	2
8	H1,2	solder lug, #4	MOU	534-7311	2
9	P1-7	flea-clip/.042"hole	MOU	574-T42-1/c	7
10	R1,2	resistor, 680K	MOU	271-680K	2
11	R3	resistor, 100 ohm	MOU	271-100	1
12	R4,5	resistor, 4.7 ohm	MOU	295-4.7	2
13	T1	RF transformer 4:1	MCL	T4-6T-X65	1
14	U1	buffer amplifier IC	GER	(National)LH0033CG	1

+ buss wire, solder - as required

COUNTRY RADIO



WELLPORT BROADCASTING LTD.,
 REGIONAL ROAD 23, WELLAND, ONT. L3B 3N5

Table 6: control orientation conventions

Ensure that components are mounted and wired in accordance with this table; align knob pointers to clock positions indicated. Orientations are as viewed from outside the chassis box assembly.

Side	Control	Orientation Conventions
left	S1	NR = up; NORM = down
left	S2	NR = up; NORM = down
top	C1	fully CCW = 0 on vernier knob
top	C2	fully CCW = 0 on vernier knob
top	R1	CCW = maximum level (no attenuation) = 7:00 CW = minimum level (maximum attenuation) = 5:00
top	R2	CCW = maximum level (no attenuation) = 7:00 CW = minimum level (maximum attenuation) = 5:00
top	R3	CCW = maximum level/Q Line 1 (min. Line 2) = 7:00 CW = maximum level/Q Line 2 (min. Line 1) = 5:00
top	S3	PC = 10:30; AC = 11:30; AL = 12:30; BP = 1:30
top	S4	PC = 10:30; AC = 11:30; AL = 12:30; BP = 1:30
top	S5	Refer to Table 2.
top	S6	Line 1 = 10:30; Line 2 = 11:30; Null-a = 12:30; Null-b = 1:30

FIGURE 1: MWDX-6 INPUT SECTION SCHEMATIC

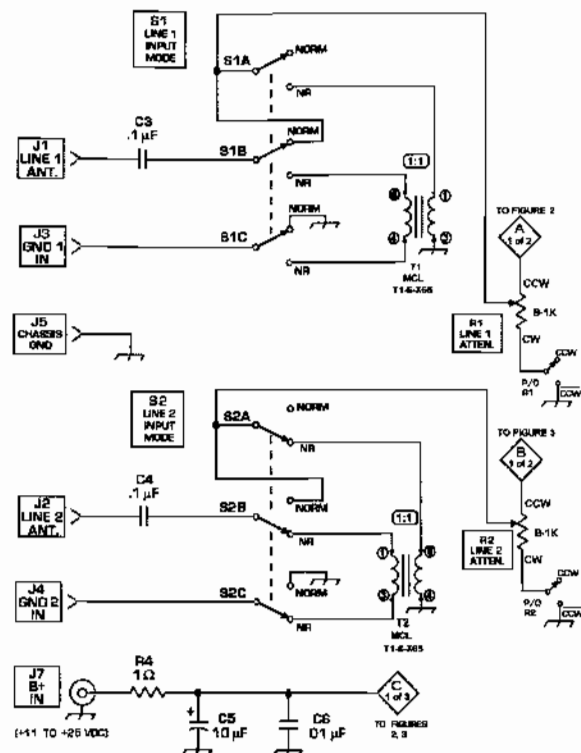
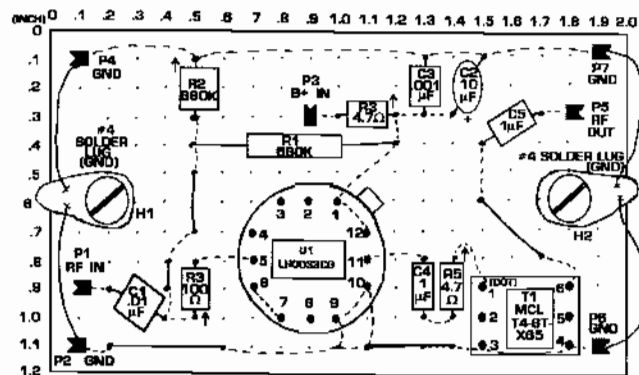


FIGURE 11: MWDX-6 PHASING UNIT
 (ASSEMBLY: BUF-A BUFFER AMPLIFIER CARD)
 one used for A1, one used for A2



Notes

- For schematic, see Figure 10.
- For parts list, see Table 5.
- ↑ = Long lead side of vertically-mounted component
- = Buss wire on solder side of board
- = Buss wire on component side of board
- ⬇ = "Flea clip" terminal pin
- OPEN SIDE

FIGURE 2: MWDX-6 CENTRAL SECTION SCHEMATIC (LINE 1)

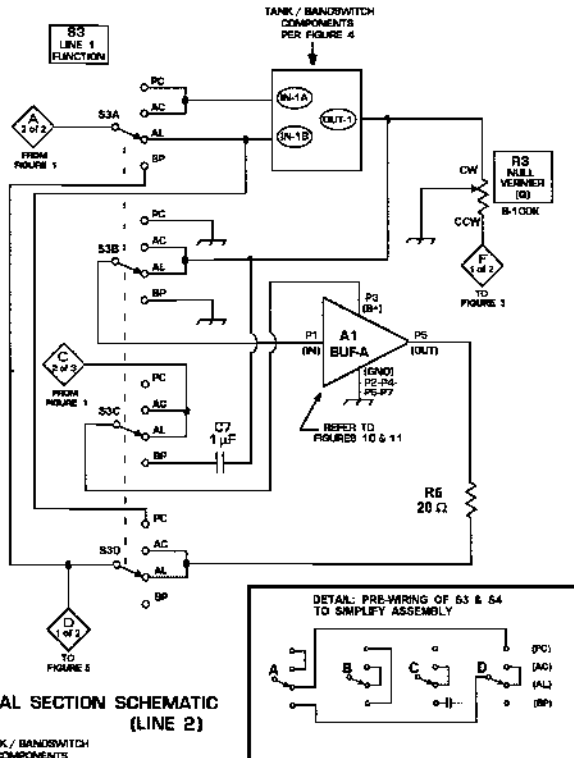


FIGURE 3: MWDX-6 CENTRAL SECTION SCHEMATIC (LINE 2)

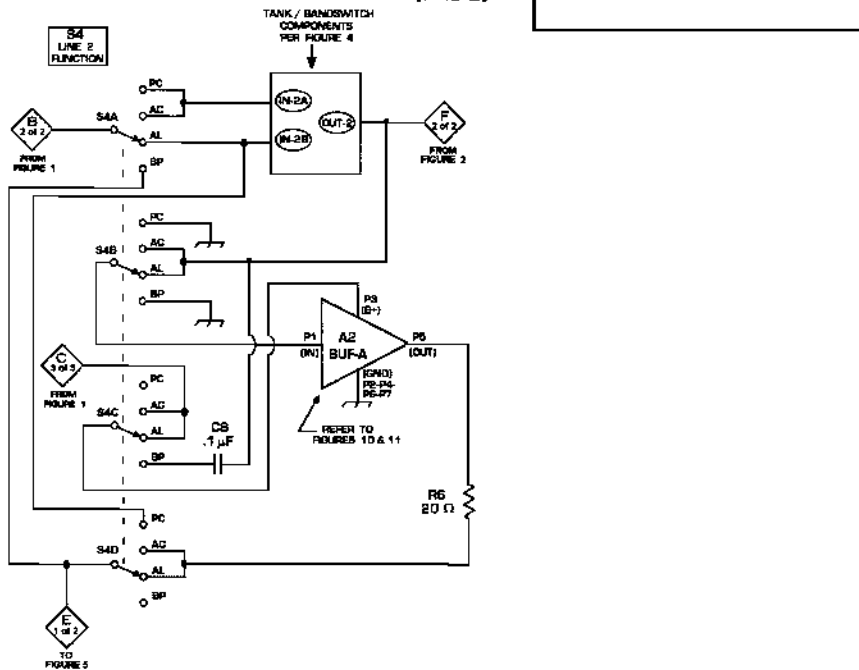


FIGURE 4: MWDX-6 TANK / BANDSWITCH COMPONENTS

BANDSWITCH INDUCTOR VALUES SHOWN ARE FOR STANDARD (LWBC / MWBC) VERSION. OTHER CONFIGURATIONS ARE POSSIBLE; SEE TABLE 2 OF ARTICLE.

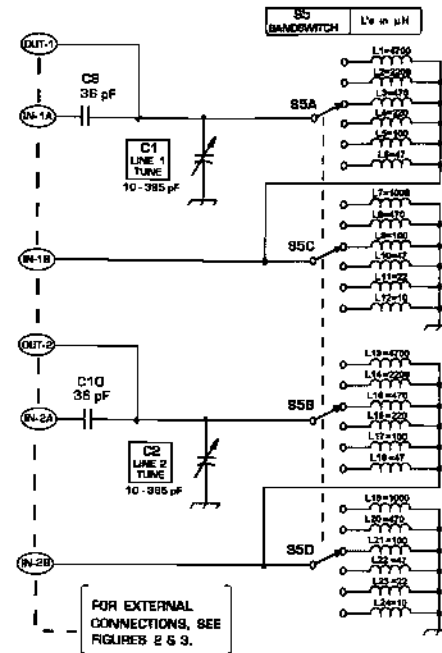


FIGURE 5: MWDX-6 OUTPUT SECTION

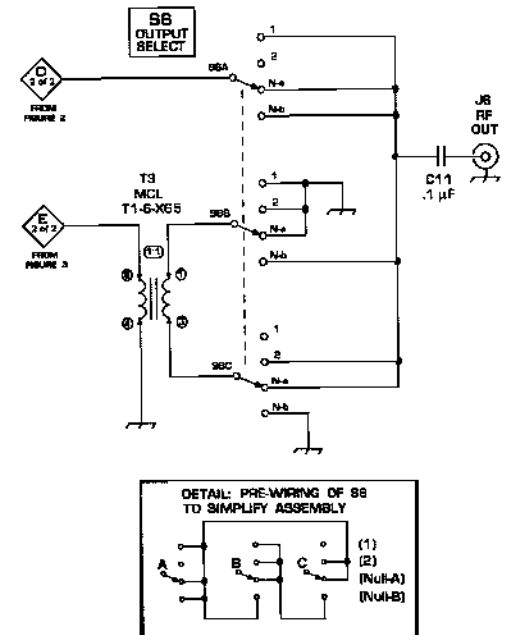


FIGURE 6: MWDX-6 CHASSIS PICTORIAL (TOP)

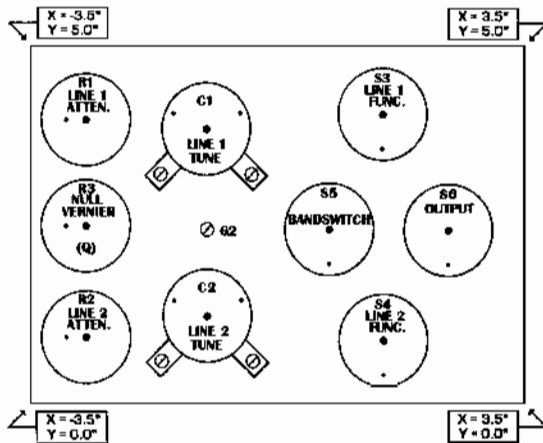


FIGURE 7: MWDX-6 CHASSIS PICTORIALS (LEFT, RIGHT SIDES)

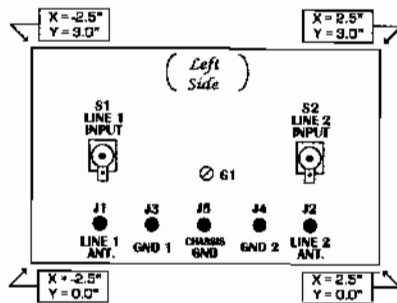
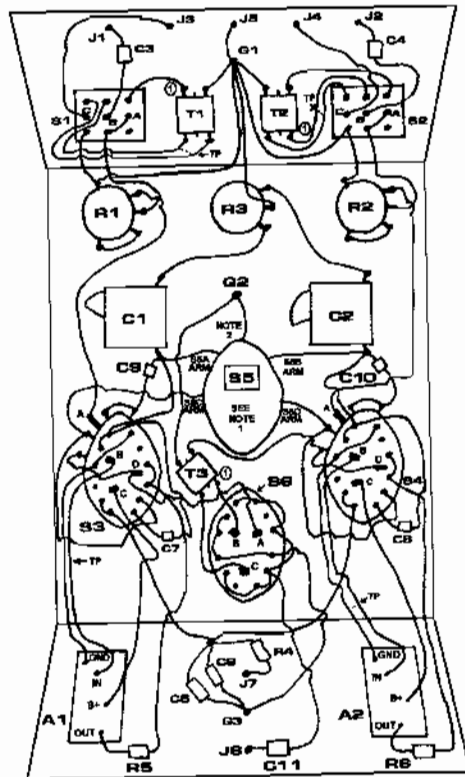


FIGURE 8: MWDX-6 ASSEMBLY PICTORIAL (NOT TO SCALE)



NOTES
 1: FOR S5 WIRING, SEE FIGURE 4 AND TABLE 2.
 2: JUNCTION L7 THROUGH L12, L13 THROUGH L24.
 3: TP - TWISTED PAIR (INSULATED) WIRE

FIGURE 9: MWDX-6 PHASING UNIT (C1, C2 VARIABLE CAPACITOR / VERNIER KNOB MOUNTING)

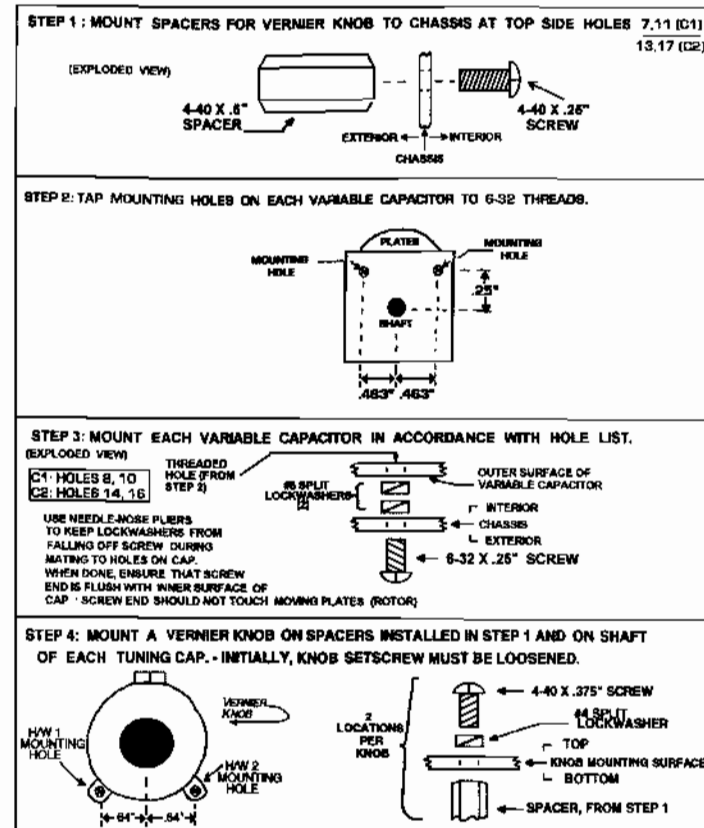
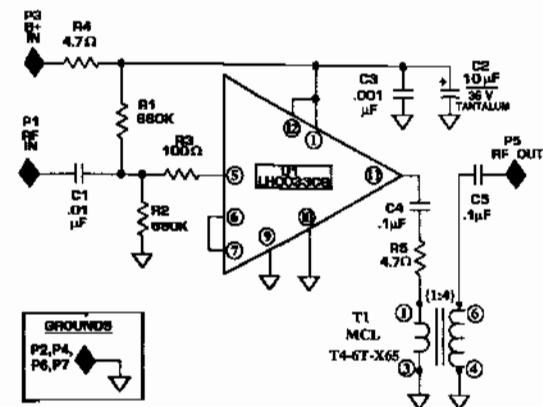


FIGURE 10: MWDX-6 PHASING UNIT (SCHEMATIC: BUFA BUFFER AMPLIFIER CARD) one used for A1, one used for A2



Musings

of the Members

Dave Schmidt
P. O. Box 11502
Wilmington, DE 19850-1502

Times are local per Muse; submit double-spaced only.

Thoughts from NRC members ... the opinions expressed in this column are those of the individual writer and do not necessarily reflect those of the editors, publishers, or the National Radio Club, Inc.

ERNEST COOPER - 5 ANTHONY STREET - PROVINCETOWN, MA 02657
- - - - - And the veries keep coming - but slowly. The 2 latest are from WWTM-1440 (ex-WVEI) and a verie from the WILY-1210-Test, but, is it a verie? All I got was a coverage map & a biz card, no letter, no signature. I'm sure they consider it what we want, but evidently verifying wasn't explained to them when the original letter/contact for the test was made. A copy of "The Broadcasters Guide to DX" would have informed them of the correct procedure. The latest dialings here: MM 11/14 The WRIB-1220-Test was very weak, they are much better daytime here! WILY-1210-Test surprised me as I didn't expect to hear them at all, whereas their Morse Code ID's rode through WGMP very nicely. Twilight DX has generally been good here in Nov., Dec. & Jan., but this Nov. started off poorly with not much coming in. 11/18 someone with tele-talk almost equal to WMEX-1150, no ID. MM 11/21 Unneeded WENE-1430 seems to have changed its pattern as it is now much louder than WNJR in the wee hours. 11/23 I note WPRO-630 now IDs on the hour as E Providence. A brand new one made it at 4:55PM on 840, 'tis WCTG with REL/GOS format to their 5:14PM sign-off with no anthem, the last 5 minutes found them laying waste to WHAS, so this one is a cinch in the E. 11/24 Turkey Day, I noted the same sports talk show on 1210 & 1220, WGMP & WKNR, reminded me of the "good old days" when network shows could be heard all along the dial. Then another newie for me under WADQ-1280 in WHTK. This is a good DX channel now that CJMS is gone. Then at twilight, WQPP-730 rode in, they were sent a report last year but no reply was received, so I hope they've reformed since then. 11/26 I have little luck in verifying stations in Providence, but another try this time for WALE-990, a daytime local. Then, a colossal surprise, on 1000, at 4:17PM, WRTG poked through and held for 5 minutes as things turned Auroral. 11/27 another huge surprise when I heard a loud Spanish on 840, which I ded at 12:44 and signed off IDing as CMHW! However, they are unneeded here, verified before Castro. The Caribbean Beacon-690 was in with preaching with CRP off until their sudden return at 1:27AM Killing the Beacon. Then, taking advantage of the aurora, I went to 1320 & logged WJGR, a station that changes call letters every once and a while. They call themselves "Jaguar Radio". Someone behind them in French, WCQY? Forward - March!

RON MUSCO - PO BOX 118 - POQUONOCK, CT 06064
- - - - - Time for another missive to Herr Schmidt, the guy who takes my 25 lines down to 10! Veries...you bet! V/q: WBZY-1200 (NRC QSL CARD), 1314 Norway; v/r: WLLS-1600-Test, and a letter from WGNV-1200 bringing my total up to 1222 (no call changes) verified. Reports are out to Saudi Arabia-1521, St. Pierre & Miquelon-1375, XRO-940, both Turks & Caicos on 535 & 1020, but nothing back. Non-verifiers: WFRB-560 & KDLA-1010 from TESTS last season. I do get a lot of mail, id est: address changes don't come to Box 118, they go to Topeka. Renewal checks don't go to Topeka, they go to me, sending them to Paul can delay them up to 3 weeks....your choice! I'm still impressed with the number of tests on Monday morning, get with it guys, the days of Monday morning being the best days are over and Tests during regular schedule are mostly untried for here, I learned my lesson on that last season. Opps...forgot one, a card from WZZZ-1300. Those of you with "mushy" audio & volume out of your speaker with the AF GAIN pot at minimum on your HQ180A would be advised to change the bypass capacitor in the cathode circuit of the AVC tube. I did and the rig is fine now, but the main DX machine is an Amelco R390A. Those of you with E-mail should get on the Boatanchors list: "boatanchors@gnu.ai.mit.edu", these guys are tube orientated. The Grapevine tells me that DWS finally set up the phasing unit I've sold him & he has re-discovered DXing! Nice going banana! WKND-1480 leaves an unmodulated carrier on all night and calls to the GM are mostly useless and so is the FCC, IMHO, what a waste of the taxpayers money! Maybe Newt & Rush will get after them. The WSAG-870 Poquonock CP was going to be built over by the WRDM-1550 facility in Bloomfield and why the WKND-1480 CP for 620 wasn't laid out over there is beyond me. And for all those living in New England, you'll be happy to know that WRJM-1450 will be broadcasting Algeria-891 at night so that those living in the area of WBNA can still listen at night, its a direct off-air hookup! What is the IMHO? In My Honest Opinion! (Your gettin' better!-DWS)

FELIPE L G FLOSI - RUA SENADOR VERGURTIRO 232/504 - 22230-001 RIO DE JANEIRO - BRAZIL
- - - - - Greetings from Rio de Janeiro! This is my 1st MUSE. I am 35 years old and am now apart from the hobby, but I wanted to keep some contact with it so I have decided to subscribe to the NRC & DX News! As a MW DXer, I have probably logged some interesting stations such as WWRL & WPOM on 1600 but never got sufficient audio for a reasonable reception. Though I have verified some Argentinian &

Uruguayan MW stations and WDR-1593, I hope I will be able to change my actual job situation and get a better place, a better antenna & a better reception situation for DXing (as Brazil has been since its independency, a land of the future, I hope I won't follow the land becoming a DXer of the future!). In the meantime, I'll keep reading DX NEWS! To JEAN BURNELL: about your log on 1570 on 11/21, the 1990 edition of "The Brazilian AM, SW & FM Stations list", by excellent Brazilian DXer Antonio Ribeiro da Motta listed Radio Arapoti-1570 as a 'construction permitted' station. I have phoned the telephone information service of its area code (main city is Londrina-PR) and they advised that there is no Radio Arapoti in this area but there is Radio Brasileira from Bela Vista do Paraíso-PR. I called the phone number heard on the station and the address given by them matched that in WRTH-94. That's it for now, tudo de bom! (And welcome to the NRC Falope, we will look forward to your reports from time to time, and we will pass along the map to JEAN BURNELL-DS)

TOM BRYANT - 849 TODD PRIES DRIVE - NASHVILLE, TN 37221
- - - - - 1st, a quick reintro: I've been production manager at WSM AM/FM since 1970 & have been with the station since 1967. I have also been the "official" WSM verie signer for over 5 years. As such, I've forwarded the names & addresses of potential members to both the NRC & IRCA with the hopes that the DX fraternity will expand and the clubs strengthen. Recently, I was appointed to the Board of Directors of the WTPDA, where I do a monthly feature called "The TV Time Tunnel" for their newsletter. Have tried for most of the CPC Tests but the results haven't been as good as they were last year, averaging to hear about a third of them. I guess my big catch of '94 was KCWW-1580, apparently on day pattern. A recent phone chat with KHRM owner Andy Anderson revealed that the long dormant CP for 710-Bismarck is about to come to life with construction starting in April and a on-air date of mid-late summer. 710 will be a U4 facility with separate day & nite transmitter sites almost 25 miles apart. There is a surprise element to the 1130/710 activity but I'm not at liberty to discuss it as this time. They also own KBRR-750 & there may be a CPC test coming from that. Got a copy of the '94 NRC convention tape put out by ERNIE WESOLOWSKI, sure was fun to get to see the event & listen to the guest speaker, the topic was excellent! I don't know how many of you follow JOHN BOWKERS' "Then & Now" feature, it amazing to see what changes have happened with the dial over the years! There was one error in the Nashville listings, WQQQ in Lebanon, TN never operated. Easy to be fooled on this one as all usual indicators pointed to it as operational, phone listing, hours of operation, personnel, etc. It appears the CP is still active as it is correctly listed in the new NRC AM log. 73s for now - Happy Holidays - & GoodDXing!

DAVE BRAUN - 11 MILL BEND ACRES - WYOMING, DE 19934
- - - - - The 1st part of this season has been pretty good to me when I've had a chance to listen, 30 new ones so far, 10 of those were TA's. Great TA conditions through Oct., not as much since, although there were signals all over the dial the evening of 11/25. Has Canary Islands-621 increased power? I have a hunch there the majority of nights now, had not been heard much in seasons past. DX TESTS have helped also, bringing 6 new ones. Weird, they seem to come in bunches, got 3 on 10/24 (WGEA-1150, WFIE-1160 & WNAM-1280) and 3 on 11/14 (WCNY-1200, WRIB-1220 & WILY-1210) but all the other nights I have struck out! Obvious auroral conditions killed the planned "big" night of 11/28, no sign of CJGX-940 or any of the other tests. Did have someone with "Good Time Oldies Magazine" on 940 including oldies, was this WMTX? (lately-DWS) That night, I heard WAAX-570 for the 1st time while looking for the WMAM test at 2:09AM. Also finally got NE in the form of WOW 11/23 10:53PM. I have a semi-regular UNID on 1570 carrying the "Prime Sports Radio" network, can anybody help me with this? I have tried to listen to 1570 more with the Canadians all gone now, but mostly the PA & NY stations are dominant. Other recent new ones are WSAR-1480, heard with promos including many mentions of their calls then into "American Sports Radio Network live from Las Vegas." 11:06PM 11/29 & Radio ReLoj-Cuba heard for the 1st time on 610 under WIP 12/5 10:49PM, listed a 1kw. Have a very nice phone conversation with DAVE SCHMIDT in late Oct. when he was at WDOV, hope all is going well there, Dave I want to wish everyone a very happy holiday season & great DX in '95!

DAVE SCHMIDT - P O BOX 11502 - WILMINGTON, DE 19850
- - - - - I've received a note from MARK BURNS regarding a comment he recently received in a verie from WFAW-940, stating that they haven't received many reports this year, but yet Mark wonders why people Muse about stations not answering. We recently went to the doctors for a check-up, my sugar level was found to be out of whack & too high, so some work has to be done to get that back into normal, I've been very tired of late, and run out of gas quite early. More daytime phaser DX notes as things continue. Happy Holidays to all!

Are you expiring?

We hope not! To avoid expiration, mail your remittance to the *DX News* Membership Center early. Allow at least three weeks after mailing your check or money order for new renewal data to appear on your mailing label. Please provide full nine-digit ZIP numbers, too.