

# DX News

•Serving DX'ers since 1933•

Volume 59, No. 21 - March 2, 1992 (ISSN 0737-1659)



## Inside...

2 .. CPC Tests

8 .. DDXD

9 .. In the Beginning

10 .. IDX

12 .. From early days ...

14 .. Mini MWDX-5

16 .. BFE-C Loop Amp Card

20 .. DXWord Puzzle

22 .. Musings

### CPC Test Calendar

<u>Call</u>	<u>Freq</u>	<u>Date</u>	<u>ELT Time</u>
KBBS	1450	Mar 1, 1992	0200-0400
KXOL	1320	Mar 2, 1992	0130-0200
WRIX	1020	Mar 2, 1992	0200-0300
KALT	900	Mar 7, 1992	0600-0630
KPCR	1530	Mar 8, 1992	0100-0600
WZAO	1370	Mar 8, 1992	0530-0600
KMTI	650	Mar 9, 1992	0230-0300
KTNS	1090	Mar 9, 1992	0300-0400
WKYB	1000	Mar 16, 1992	0200-0300
WCIL	1020	Mar 16, 1992	0300-0330

#### *From the publisher ...*

Don't forget that all DDXD loggings go to Bill Hale until we select additional editors. Jerry Starr's AM Switch should return next week.

I think you'll enjoy the centerfold this week, and thanks to Ray Nemec for providing the copies of the 1922 maps. Note the March 25, 1924 verie (?) from PWX, Havana ... does anyone have an older verie in their possession? If so, we'd like to print it. Send a clean photocopy of it to Topeka.

The NRC is looking for one or more NRC members to represent and promote the NRC at the Dayton (OH) HamVention, April 24-26. Volunteers would deliver sample copies of DXN and other materials and help man an ANARC club table, and possible help conduct a listeners' forum April 26 from 11:15-1:00 pm. At the least, you'd deliver materials to the table. If interested, write to Topeka.

Speaking of the American Association of North American Radio Clubs ... this entity, once an umbrella organization for NA clubs, shows signs of coming back to life under the guidance of Interim Coordinator Richard D'Angelo. Your publisher is now the ANARC rep. I recently sent a long letter detailing my concerns to Richard, not the least being that the board and candidates-elect were heavily dominated by members of shortwave clubs, especially one club. The

NRC has no intention of pulling out of ANARC, as did ODXA several years ago, as D'Angelo assures member clubs that they, not one person, will determine the future of ANARC. The NRC will definitely contribute to discussion concerning ANARC's future, and NRC members who have concerns and suggestions should send them to me for forwarding.

Albert S. Lobel - P. O. Box 26762 - San Diego, CA 92196-0000 will verify that you heard his business's commercial on KBNN-100.1 if you send him a cassette tape with the commercial recorded on it. Include a stamp for his letter and return postage for the cassette. Note that this is not an actual station reception report.

*The Hollow State Newsletter* is up and running again, with Dallas Lankford editing and Ralph (continued on page two)

### DX Time Machine

*Receptions from the DX log of Max Watkins, Tecumseh, NE: 1923: Jan. 10: WOT (?), Indianapolis, IN; KSD, St. Louis, MO; WOC, Davenport, IA; Jan. 11: KFAF, Denver, CO; WHB, Kansas City, MO; WFAV, Lincoln, NE.*

*From the pages of DX News 50 years ago ... From the Feb. 28, 1942 DX News: NRC President Joe Becker reported that his BCB veries totaled 1446; Editor Ray Edge's total was 640, and Ernie Cooper's was 974 "and plugging for 1000".*

*25 years ago ... from the Mar. 4, 1967 DXN: Mort Meehan, Van Nuys, CA, noted that he joined the NRC in 1934, the same year that he joined the NNRC ... Glenn Hauser, Albuquerque, NM noted that KLOS-1580 went off the air in early Jan.*

*10 years ago ... from the Mar. 1, 1982 DXN: John Clements, Sun Valley, CA visited Louisville HQ Feb. 10 ... Ron Schatz's "Cuban MW Broadcasting in Perspective" was published in this issue.*

(continued from page one)

Sanserino publishing. If you'd like to subscribe, send \$5 (for 4 issues) to Ralph at 11300 Magnolia, #43 - Riverside, CA 92505. Back issues are \$1.25 each. In his spare time, Ralph also publishes IRCA's *DX Monitor*, and I'm sure he'd send you a sample copy for \$1.00. We also received a sample copy of the bulletin of the Drake SPR-4 International Club (Rick Spitz - 5210 14th St. W., #11 - Bradenton, FL 34207), and I'm sure Rick would send a sample copy of the bulletin for a buck, too. He's also looking for articles about the venerable SPR-4 for the bulletin. Mention the NRC in your requests.

**50 years ...** Don and Martha Voorhies have joined NRC's 50-year-anniversary club: "Martha and I were married on June 8, 1941, at Yaphank, NY ... My DXing was done in two stages - in the mid-1930's at Brooklyn, NY, and the last 10 years here in Oswego. Logged and verified around 600 in Brooklyn. My Oswego total is 1549. Martha puts up with my DXing; in fact she woke me up the other AM and told me WSYR, Syracuse, was off the air. So I got to my radio and logged and verified WNAX. I am trying to get a verie from each state and province, but the stations are not answering as well as I would like."

**DXChange ...** Joseph P. Janaty - 25-10 21st St. - Astoria, L. I., NY 11102, (718) 274-2354, would like to purchase a 4-foot loop such as the NRC FET Altazimuth type, but without the amplifier ... Broadcast engineer Steve Johnston WD8DAS - Box 3420, Dept. NRC - York, PA 17402-0420 is offering a synchronous detector kit for \$139, or assembled and tested for \$199. For more information, send him a #10 SASE ... the Shortwave Radioguide, produced by NASWA/ODXA member John A. Figliozzi, is now available for \$16 to NAD DX'ers, \$20 elsewhere. The guide includes a listing of English-language broadcasts. Order it from the NASWA Company Store, Dept. NRC - 2641 South Shields St. - Philadelphia, PA 19142.

**They joined ...** Dan Dankert, Tustin, CA (rejoins); Bob Hlivak, Kaneohe, HI (rejoins); Al Dillon, Prichard, WV; Brent Allen, Merced, CA.

**CPC Tests ...**

**KBBS-1450**, P.O. Box 153, Buffalo, WY 82834 will conduct a DX test from 0200 to 0400 AM EST on Sunday morning March 1, 1992. This test will contain music, voice and Morse Code ID's. Our thanks to Mr. Glenn Swiderski. Arranged by the Courtesy Program Committee of the National Radio Club.

**KXOL-1320**, 1730 Neptune Drive - Clinton, OK 73601 will conduct a DX test Monday morning March 2, from 1:30 to 2:00 am ELT. The test will include tones and Morse code ID's. Our thanks to Mr. Dennis Burton. Arranged by J. D. Stephens for the IRCA.

**WRIX-1020**, Watson Village - Anderson, SC 29624 will conduct a DX test Monday morning, March 2, from 2:00 to 3:00 am ELT. The test will include Morse code ID's and southern gospel music. Our thanks to Mr. John Woodson, PD. Arranged by J. D. Stephens for the IRCA.

**KALT-900**, Drawer 1166 - Atlanta, TX 75551 will conduct a DX test on Saturday morning, March 7, from 0600-0630 EST. Test will contain Morse code and voice ID's. Our thanks to Mr. David Wommack Jr., GM, for this test. Arranged by the Courtesy Program Committee of the National Radio Club.

**KPCR-1530**, P.O. Box 1 - Bowling Green, MO 63334 will conduct a special DX TEST on March 8, 1992 from 0100-0600 EST. This test will consist of comedy bits and songs, voice and code ID's. Listener phone calls will be taken (no collect calls) at a number given on the air. Our thanks to Mr. J. Paul Salois, P/GM/CE for this test. Arranged by the Courtesy Program Committee of the National Radio Club.

**WZAO-1370**, P.O. Box 134 - Glen Dale, WV 26038-1730 will conduct a DX test from 0530 to 0600 EST on Sunday morning March 8, 1992. This test will consist of test tones, voice, and Morse code ID's. Our thanks to Mr. Michael E. Dunn, GM, for this test. Arranged by the Courtesy Program Committee of the National Radio Club.

**KMTI-650**, P.O. Box K - Manti, UT 84642 will run a DX test from 2:30 to 3:00 am Monday morning, March 9, from 2:30 to 3:00 am ELT. The test will include tones, Morse code ID's, and march music, with the power at 10 kW. Our thanks to Mr. Douglas Barton, GM. Arranged by J. D. Stephens for the IRCA.

**KTNS-1090**, 40356 Oak Park Way - Oakhurst, CA 93644 will conduct a DX test Monday morning, March 9, from 3:00 to 4:00 am ELT. The test will include voice ID's, Morse code ID's, and march music. Reception reports go to Mr. Larry Gamble, Owner/GM. Arranged by J. D. Stephens for the IRCA.

**WKYB-1000**, P.O. Box 1006 - Hemingway, SC 29554 will conduct a special DX test Monday morning, March 16, from 2:00 to 3:00 am ELT. The test will include tones and Morse code ID's, with the power at 10 kW. WLUP-1000 in Chicago will be off the air at this time. Reception reports should be sent to Mr. Mike Holt, Station Manager (W4DCD). Arranged by J. D. Stephens for the IRCA.

**Remaining DXN Schedule, Volume 59:**

#	Deadline	Pub. Date	#	Deadline	Pub. Date
22.	Mar. 6	Mar. 16	27.	June 26	July 6
23.	Mar. 20	Mar. 30	28.	July 24	Aug. 3
24.	Apr. 3	Apr. 13	29.	Aug. 21	Aug. 3
25.	May 1	May 11	30.	Sept. 18	Sept. 28.
26.	May 29	June 8			

# Domestic DX Digest - East

**William Hale**

15366 La Paz Avenue, #110  
Victorville, CA 92392

*DX Catches in the Eastern U. S. and Canada, with 24-hr. ELT*

## MEDIUM WAVE RAMBLINGS

Many thanks to Laurence Kearley of Orléans, Ontario who sent an article about the "Canadian Content" issue we talked about an issue or so back. Laurence also sent many newspaper articles from his local area lamenting the "bleak times" for radio station (FM included). I'm sending the articles to Topeka for possible publication. And Charles Reh of Leamington, Ontario forwarded a list of MEDfers (also on its way to Topeka). Thanks, Chuck.

Upon this notification, your DX MUST BE NO OLDER THAN 30 DAYS by the time I send it to Topeka. "When's that?" I hear. Two weeks before the masthead date, I say. I'm reinstating the old rule which I've been lax on since moving to California. But now there's no excuse, since you've got my direct address. Don't wait. Get 'em in early! Deadlines are Saturday's mail.

The question has been raised about when "legal" IDs must be given. And what constitutes a "legal" ID? OK. Paraphrasing Paragraph 73.1201 of the FCC Rules and Regs ... basically that an ID must be made: (1) at the beginning and ending of each hour of operation [I guess they mean sign-on and sign-off], and (2) hourly, as close to the hour as feasible, at a natural break in program offerings. So basically, the next time your favorite DJ segues into a four-minute record at :59:50 and IDs afterward, I'd say it's a violation as (s)he could have ID'ed before the record. Then a little later the paragraph says official station identification consists of the call letters immediately followed by the community or communities specified in its license as the station's location. The name of the licensee or the station's frequency may be inserted between the call letters and station location. No other insertion is permissible. Names of additional communities may also be added, but the community to which the station is licensed must be given first. Go get 'em!!

I was in Salt Lake City for two days on business this past week. Didn't have time to do more than a cursory check of the band on the (rental) car radio, plus a scan of the phone books for phone number and address updates. Details on to Wayne!

## SPECIAL

- 620 WKNI AL Lexington - Has gone silent. (ES-AL)
- 1120 WYZQ TN Maryville - former WCGM is back on the air with UC and "Power 1120" slogan. Report to Jody Richmond, owner/CE at 119 E. Broadway, 37801. Phone is 615-982-3108. (SF-TN)
- WYZQ TN Marysville - 2/1 0741 Noted back on with new call. (KVJ-GA)
- 1450 WLAY AL Muscle Shoals - has dropped oldies to simulcast their country FM. Now usually non-IDs as "105 Country, WLAY". (ES-AL)
- WTRO TN Dyersburg - 2/4 0101 Atop with legal ID. Ex: 1330 takes over silent facilities of WDSG. AM Switch V58, I30 said this would signal deletion of the 1330 license, which is sad news for those of us who still needed to log it. (SF-TN)

## UNIDS AND UNID HELP

- 820 WOSU OH Columbus - Local pest most likely is JK-VA's unID from 1/27 issue. They carry BBC World Service News on top of hour during the night. (KS-OH)
- 1000 UNID ?? - 2/3 1700 Poor under much noise with garbled legal ID with only "Carolina" decipherable. No nx at :00. Back into soft mx, possibly REL, but not certain. Any ideas? (LMC-NY)
- 1190 UNID ?? - 2/1 0645 Reggae mx "Fight Against Apartheid" in CFGA splatter. Then anncr in EE with Caribbean accent just after a few rooster crows, seemingly as an ID. Then another "island" type song. Then WOWO blasted thru with oldies. (LK-ON) [Maybe Jim Renfrew or other IDxDers can ID this and your 1550 unID below - Ed.]
- 1270 UNID ?? - 2/1 0702 Local nx with no clues following USA Net News. Wx was flurries with a high in the 20s (F), then "That's the news from atop Bearskin Mountain" followed by C&W mx. Over/under WTSN. Fade at LSR. Perhaps WCB-CMD? (LK-ON)
- 1440 UNID ?? - 1/19 0710 "Playing more of the hits you like, we're STAR 105.1 FM" followed by ROK. (LK-ON)
- 1490 WPBK MI Whitehall - This is MJ-MI's unID in the 2/10 Issue. WPBK simulcasts WPBK-FM 97.5 (which is so new it's not in the '91 NRC FM Log) and serves Muskegon. (PLB-MI)

1550 UNID ?? - 1/18 0810+ A shouter in FF - not a spillover from any local FFs as I checked them all. Clearly not a Canadian FF accent but almost Caribbean or from the Mother Country. Couldn't be any of the non-local FF stns as they're all 40 watts and some are // to locals which I checked. No clues were clear enough to understand. A series of calendar-type anncts for sports events such as soccer around the world including the U.S. Then Great Britain soccer scores, all in FF. Definitely not a North American stn. While trying to track this one down on 1/21 1613, it was there, but a SS stn was over/under it and CBE. On 1/18, there was lots of fade after 0830, but gone by 0900. Strong earlier over/under WLVX. (LK-ON)

## DX AND EQUIPMENT TESTS

630 WVVW WV St. Marys - 2/10 0003-0019 Noted with TT, Elvis mx, male/female VIDs. Nil to good in WMAL null. Nice talk with Bob Eddy. (DS-DE)  
WVVW WV St. Marys - 2/10 0001 Tones, SSB at 0003 & 0017. "Hound Dog" by Elvis at 0018. Voice IDs. (KVJ-GA)  
WVVW WV St. Marys - 2/10 0000 Not hrd due to inadequate CFCO null. (MJ-MI)

720 WWII PA Shiremanstown - 1/26 0407-0431 Very weak, but all alone in WGN null with CIDs at 0407, 0412 and 0431. VID at 0415 followed by Brenda Lee's "Rockin' Around the Christmas Tree". (SF-TN)

880 KHAC NM Tse Bonito - 2/3 0349 Amazed to hear weak CIDs clearly under WCBS as there'd been no trace of them earlier. CIDs again at 0356 and 0400. Unexpected Cuban silence (returned with NA at 0456). A big help for #10 on 880. (LMc-NY)  
KHAC NM Tse Bonito - 2/3 0300-0400 Ultra-poor under WCBS/KRVN. Could only hear weak CIDs of 1000 Hz TT. 880 #20 and AZ #25. (REH-ON) [I thought this was now licensed to Tse Bonito, NM. So what's your NM count? hi - Ed.]  
KHAC NM Tse Bonito - 2/3 0301-0333 CIDs, march mx ("Stars and Stripes Forever" and "Monty Python" Theme). (KVJ-GA)  
KHAC NM Tse Bonito - WCBS and that's all. (RJT-NC) ... No sign, except when Earl Higgins called and let me listen to it from St. Louis. (MJ-MI)

1040 WSKE PA Everett - 1/27 0200-0210 Good to xlnr with bluegrass fiddle mx, tones and anncts "WSKE Everett, Pennsylvania with experimental test transmission" and "AM 1040 WSKE Everett on the air for test purposes." (LMc-NY)  
WSKE PA Everett - 1/27 0241 Mostly clobbered by CFZZ in WHO null. VID, TT and CID hrd. (SF-TN)

1180 WLDS IL Jacksonville - 2/3 0204-0205 and 0229-0231 With fair CIDs. Nothing else possible due to WHAM/Tafno and Reloj Cubans. (SF-TN)  
WLDS IL Jacksonville - 2/3 0200-0230 Fair with VIDs, CIDs and mx. Unneeded. (REH-ON)  
WLDS IL Jacksonville - 2/3 0200-0205 Not hrd, frequency very noisy. Even WHAM inaudible. (LMc-NY)

1250 WMTR NJ Morristown - 1/27 0130-0135 Not hrd, which is strange since they're often heard here during regular operating hours. (LMc-NY)

1270 WJJC GA Commerce - 1/20 0330-0401 Mostly poor with cover versions of 60s MoR tunes. No TT noted until 0359. 0400 at least a minute's worth of bird watching tips(!) by anncr, then final ID. (SF-TN)

1300 WZZZ NY Fulton - 2/10 Nuthin! Just WJFK/WAVZ & WJBR-1290 splash. (DS-DE) ... Tried, but nothing heard. (KVJ-GA) ... Not in, unless they were the UNID playing UC mx. (MJ-MI)

1350 KDIO MN Ortonville - 1/27 0100-0110 Not heard. (LMc-NY)

## MIDNIGHT TO 0800 HOURS ELT

560 WGAN ME Portland - 2/1 0623 With "WGAN, where news comes first" after a phone-in show and ads for a local mall's contest and local wx. Very faint in QRM from, and in null of CFRA splash. (LK-ON)

790 WMRZ FL South Miami - 1/25 0055 Good with NOS/BBD mx. ID as "Radio 790 WMRZ South Miami" at :00. New for me and FL #1! (KS-OH)

990 CBW MB Winnipeg - 1/25 0105 Good with end of CBC News and into Manitoba wx forecast and into CLS mx. MB #1! (KS-OH)

1030 KDUN OR Reedsport - 2/9 0759 Good with "KDUN" ID into ABC News. Mentions of being on 24 Hrs now [Hey Wayne! -Ed.]. New for us. (MBDXP)

1110 WBT NC Charlotte - 1/25 0140-0205 Good with Deborah Norville Show on Talknet. Went into CBS News at :00. ID as "WBT 1110, Charlotte.(KS-OH)

1160 WAMB TN Donelson - 2/10 0113 All alone with ad for flower shop and AM & FM ID, into EZL mx. No sign of WJJD. (MJ-MI)

1240 WMMB FL Melbourne - 2/3 0129 Very good atop channel for 10 minutes with Larry King and ID: "1240 WMMB Melbourne - Palm Bay" (MJ-MI)  
CJAF PQ Cabano - 2/9 0130 Good with RML Network pgm with FF talk and mx // 1400. New for us. (MBDXP)

1250 WTAE PA Pittsburgh - 1/24 0329-0332 Good with ID as "WTAE Pittsburgh" into MBS News. Back to Larry King Show at 0332. (KS-OH)

1260 WVLC SC Salt Lake City - 2/5 0600 Sign-on into "Tobacco Production Report". New CLS, ex:WJOT. (KVJ-GA)

1270 WXYT MI Detroit - 1/25 0230-0235 Good with ID as "WXYT Newstalk Radio 1270". Then female anncr gave wx forecast for Detroit, into Larry King Show. (KS-OH)

1280 WKST PA New Castle - 2/1 0741 With "Here's the KST calendar" followed by local events, then "that was the WKSL calendar" and "The temperature is currently 28 degrees (F) in downtown New Castle". Over/under CJMS/many others, then fade. (LK-ON)

1330 WFBC SC Greenville - 1/24 0400-0407 Good, with PSA from National Forest Service about forest fires, then ID as "WFBC Greenville" and into NBC News. Back to Talknet with Bruce Williams. SC #1! (KS-OH)

1400 WKNW MI Sault Ste. Marie - 2/9 0500 Good with "WKNW" ID into MBS News. New for us. (MBDXP)  
KFRU MO Columbia - 2/9 0200 Fair with "KFRU Columbia" ID in a mess. New for us. (MBDXP)  
CJFP PQ Riviere du Loup - 2/9 0130 Fair with RML Network News with FF talk and mx // 1240. New for us. (MBDXP)

1450 WRJM CT Poquonock - 2/10 0000 Weak with ID into Pee Wee Hunt concert. (DS-DE)  
WMAJ PA State College - 1/27 0354-0400 Intermittently up thru mess with address (as in Log) for programming suggestions, "NewsTalk 1450 WMAJ" slogan into talk show. Resurfaced @ 0400 with legal ID as "State College - Bellefonte." (LMc-NY)

1470 WTKO NY Ithaca - 1/19 0720 "This is your news station, 1470 WTKO", then back to CNN Headline News and PSAs. With many others and fade. (LK-ON)  
WXXW PA Allentown - 1/25 0758 "AM Country 1470, WXXW" after C&W. Format change from the Log. Over/under WPDM. (LK-ON)

1490 WOPI TN Bristol - 2/10 0159 Fair with "This is the place for easy listening" and different voice giving "WOPI Bristol" ID over apparent WKPT ID. (MJ-MI)

1550 WNTN MA Newton - 2/2 0706 Tentative ID by language (SS) and address for an upcoming event in Waltham, MA. SS talk/discussion. Over/under C&W mx. Faint but clear at times, then total fade. (LK-ON)

1580 WBBA IL Pittsfield - 2/9 0730 Fair with "WBBA" ID into slow "elevator-type" mx. New for us. (MBDXP)  
WVWF NC Camp Lejeune - 1/18 0754 With "That was Richard ?? on 1580, WVWF" just after a REL song followed by nx at 0800, then local nx and more GOS mx. Clear and steady. (LK-ON)

## 0800 TO 1600 HOURS ELT

560 CFOS ON Owen Sound - 1/25 0901 With local nx and sports followed by "The CFOS temperature is -15 (C)". In null of CFRA splatter w/some fade. (LK-ON)

650 WKKQ MN Nashauk - 1/26 0802 ID by frequency and locale (only MN stn on 650). Coverage of a speech by a Minnesota representative discussing local and state tax issues at what sounded like a banquet (possible rebroadcast). Loop was WNW/ESE. Many mentions of Minnesota. Strong and clear in WSM null. (LK-ON)

790 KXXX KS Colby - 1/27 0846 Noted on top with ads mentioning Colby and other Kansas towns, "right here in Kansas". ID in wx 0849 as "79-K-Triple-X", TC to C&W mx. (BW-OK)

800 KVOM AR Morrilton - 1/27 0844+ Weak under KQCV in SS null. Surfaced at nice level for wx at 0858, "News Watch KVOM" promo. Nice full AM-FM ID at 0859 into C&W mx. (BW-OK)

890 KVOZt TX Laredo - 1/30 0851 Very tentative under KBYE with POP mx, FM ID 0853 as "Y-95" into Madonna selection (KOYE-FM 94.9 listed for Laredo in FM Atlas). Topping frequency 0855, but lost to KBYE 0858. (BW-OK)

900 KKAP TX Floydada - 1/29 0855 Presumed the one here surfacing briefly with female in ad for "H&R Block in Floydada" (real down-home accent!) to mx, quick fade. All in 15 seconds. (BW-OK)

- 1130 WISN WI Milwaukee - 2/1 0915 With "It's 8:15 and we're going to take a short break. This is the Computer Show on WISN" during computer discussion. Over/under WNEW/WCXI (which was very strong). Clear in their null.(LK-ON)
- 1160 WCCS PA Homer - 2/9 0044 Good with "Saturday Night Oldies Show". Over/under MoYL stn. (BC-NH)
- 1170 WJCC MA Norfolk - 2/1 0855 Tentative ID by frequency, format and loop direction (NW/SE). EZL/BBD mx. News and fade out. In WWVA null with CJRC splash & lots of QRM. (LK-ON)
- 1330 WHAZ NY Troy - 2/1 0812 With "1330, WHAZ. It's 8:15 on the banks of the Mohawk" after a sermonette on fathers and ad for R and D Body in Schenectady. Fade in null of CIWW splatter. (LK-ON)
- 1360 WLYN MA Lynn - 2/9 0002 Good with French Caribbean soca/reggae mx, then full-data sign-off mentioning 700 watts and sign-on at 0600. (BC-NH)  
WBNK NY Binghamton - 2/1 0820 Tentative ID with "Computer Talk" pgm with a discussion of RAM. ID as "Business Radio Network". Frequency, format and loop (N/S) all fit. Clear and strong with background QRM, then fade to bluegrass mx. (LK-ON)
- 1420 WKSR TN Pulaski - 1/25 0815 Tentative ID by "Right here on Big K Country" in between C&W and bluegrass songs. Format and slogan fits Log. Over/under a clearly southern unID phone-in show on "gardens" [Which may have been the ABC show with Jerry Baker sponsored by K-Mart - Ed.]. Looped SW/NE. (LK-ON)
- 1510 KGA WA Spokane - 2/8 1525 Good with "KGA" ID and C&W mx. Dominating the frequency two hours before LSS. (MBDXP)
- 1550 WLVX CT Bloomfield - 1/18 0815 With a "play" about integrity and values, then "We're Hartford's Christian radio station, WLVX" at 0830. Then REL mx. In fade of FF unID in UNIDs. (LK-ON)

## 1600 TO 2400 HOURS ELT

- 570 CJEM NB Edmunston - 1/24 2120 ID by language/format. Songs in EE & FF by Canadian artists such as "Sauve mon Éme". This was only stn on 1570 strong enough as all PQ stns have only 40 watts and when I checked CBM it had CLA. In null of CFRA splash. (LK-ON)
- 590 WEEI MA Boston - 1/31 2331 Poor with talk pgm. Only one faint ID noted under CKWW splatter. (MJ-MI)  
CKRS PQ Jonquière - 1/27 2138 C&W song - really hillbilly sounding) in FF. ID by an ad for their news "Ö CKRS", then local wx all in FF. Over/under WROW with hotel QRM. (LK-ON\*)
- 620 WTMJ WI Milwaukee - 1/24 2145 Tentative ID by locale and frequency. End of Bucks - Spurs BKB, giving Bucks' schedule for rest of week. Looped ENE/WSW. Over/under others including WVMT. QRM and fade. (LK-ON)  
CKOY ON Timmons - 2/8 2010 Fair with FF talk and FF lite ROK mx, mixing with CKCK on east wire only. New for us. (MBDXP)
- 680 KFEQ MO St. Joseph - 2/8 1853 Xlnt signal. Nearly passed this by. All alone with Marshall Tucker song. 1855 CL, sports scores, then Mike saying good-bye from "KFEQ, The Sports Leader" into Vern Gosdin (C&W) song. 1859:41 pattern change, disappeared. MO #6. (GH-OH)
- 690 KECN ID Blackfoot - 2/8 1930 Fair with local and CNN News pgm. New for us. (MBDXP)
- 720 CHTN PI Charlottetown - 1/29 1645 "Classic Hits 720 CHTN" ID, blocks of ads, mx by Prince, wx (it was snowing up there). Gone by 1700. Under WOR (TF-CT)
- 750 WNDZ IN Portage - 2/8 1730 Strong with very wound-up preacher, ads for local churches, a restaurant and "Healing Plants". New. (MBDXP)
- 800 CHAD PQ Montreal - 1/29 1625-1645 Way atop WLAD and CKLW with nx, traffic, wx, sort of an info block for PM drive. Have not heard for years. (TF-CT)
- 850 WEEU PA Reading - 1/29 1703-1708 Atop with ABC and local nx, ad for E>M> Dunlap, Accu-Weather, slogan "Your Information Station." (LMc-NY)
- 890 KVOZ TX Laredo - 2/7 2125-2154 Poor under WLS in their null. Could not figure out who this was. Rose up strong around 2130 with "Y-95" ID, no mention of city. Looked in past issues of DXN, lo and behold, in Issue 14 RD-IA told me who it was [This is been widely reported by many - Ed.]. Then later heard "Laredo's most requested music is on Y-95". Ah, the power of information and the benefits of club membership! TX #9. (GH-OH)

- 900 WCPA PA Clearfield - 1/18 1610 Poor with faint AM/FM ID, "WCPA-WQYX". 1st timer!! (LMc-NY)  
CKDH NS Amherst - 2/8 2208 Good with Judy Collins song, "CKDH Nova Scotia" ID. New and NS #!. The Catch of the Day! (MBDXP)
- 910 WABI ME Bangor - 1/20 1607 Atop! with satellite BBD/Standards. ME #7. (LMc-NY)
- 950 WHVW NY Hyde Park - 1/27 1600 Kool Gold oldies, "WHVW" jx. Atop frequency over WREN, etc. Rare here. (TF-CT)
- 980 WXBQ VA Bristol - 2/8 1819 Poor with ID during break on U of Tennessee BKB net: "WXBQ-AM, Bristol". Call change from WFHG confirmed by AM Switch a couple of days later. (MJ-MI)
- 1000 WIOO PA Carlisle - 1/18 1625 Fair but steady with Super Bowl contest promo, ID "AM 100 WIOO, Your Hometown Favorite", weekly music special with Genesis. (LMc-NY)
- 1010 KBIS AR Little Rock - 2/6 1842 Fair with ad for store featuring U or Arkansas "Hog" apparel and ID. (MJ-MI)  
WGUN GA Atlanta - 2/6 1812 Gospel mx, traffic and ID. Very good in CFRB null. (MJ-MI)
- 1030 WGFC VA Floyd - 2/4 1747 Good with ad for Sue's Flower Shop in Floyd and contest to identify a snippet of a song. VA #24. (GH-OH)
- 1040 WMTX FL Pinellas Park - 2/5 1816 Good with "Tampa Bay's best music - the Mix 96". (MJ-MI) [Another "Mix"!!! - Ed.]  
WSGH NC Lewisville - 1/25 1620 Kids programming, and promo for same on Saturday mornings. Good signal. (TF-CT)  
CFZZ PQ St. Jean sur Richilieu - 1/27 1620 Percy Sledge record, FF ROK. Ads at 1630, then gone. (TF-CT)
- 1050 CKSB MB Saint Boniface - 2/8 1759 "Ici Radio Canada" and call ID. Good in WPZA null. (MJ-MI)
- 1070 WAPI AL Birmingham - 2/9 1817 Only ID noted between songs in tight CHOK null. (MJ-MI)
- 1150 WTRK TN Morristown - 1/27 1729 ROK mx, taped wx, ID and note that WTRK had been on the air since 1947. (TF-CT)  
CKOC ON Hamilton - 1/27 2150 ID by "It's 9:50 on CKOC with Brian Adams", followed by "Everything I Do, I Do For You". Strong with QRM. (LK-ON\*)
- 1160 WSKW ME Skowhegan - 1/29 [No Time! -Ed.] Soft ROK, ID for the "Original Hits Station, AM 1160, WSKW". In like a local. Thought that WVNJ was finally on the air. Noted for you folks who need Maine. It's ND and 10 kw.(TF-CT)
- 1200 WBZY PA New Castle - 1/27 2156 With "The WBZY forecast is ..." and ads for Pearlmans in downtown New Castle + other ads. Fade but clear. (LK-ON\*)  
WOAI TX San Antonio - 1/23 2240 Good with discussion about Magic Johnson controversy over his decision to play in this Summer's Olympic Games. Mentions of WOAI between listeners' calls. Now here is a Texas station I can pick up in Columbus. (KS-OH) [And the only Texas regular here - Ed.]
- 1230 WSBB FL New Smyrna Beach - 2/2 2310 "WSBB AM 1230" with NOS format. "The greatest songs of all time ..." (KVJ-GA)
- 1240 WHAI MA Greenfield - 1/29 1735 "Feedback" pgm, talk, with host with a real New England accent. Atop frequency. "WHA1" ID. Never heard before! (TF-CT)  
WEKR TN Fayetteville - 2/5 1905 End of MBS Nx, ID, and wx for Lincoln County with CST TC. Atop for about one minute. (MJ-MI)
- 1250 WKBR NH Manchester - 1/20 2020-2105 Way atop with preaching, and at 2100 an ID for the "Love Radio Network, WWNH 1340 Madbury-Portsmouth, and WKBR 1250 Manchester-Nashua", and request for tax deductible donations to support the stations! (TF-CT)  
WTMA SC Charleston - 2/3 1710 XLNT with local nx, wx and traffic. Ad for Berlin Jewelry, number to report traffic problems \*1250, Paul Harvey. (LMc-NY) [Not sure what the "1250 Paul Harvey" notation was - Ed.]
- 1260 WWDC DC Washington - 2/6 2100 Unistar Headline News and adult standards. Over WEZE. Not heard here for years. (TF-CT)  
KICN ID Idaho Falls - 2/8 1917 Good with CNN Headline News, local sports, local wx, ID. New for us. (MBDXP)
- 1270 WHYD GA Columbus - 2/5 1851 Good with church calendar, instrumental mx. 1853 info to send anncs to WHYD with address given, then "We're WHYD Highway 1270". GA #22. (GH-OH)

WCCG NC Belmont - 2/8 1746 Fair with Bob ??? with mention several times of "Carolina's Great Country" and "1270 WCCG", wx forecast, canned tape for "Bob ??? on WCCG, in stereo" into C&W. NC #20. (GH-OH)

1300 KLER ID Orofino - 2/8 1923 Good with "KLER" ID into lite rock mx. New. (MBDXP)

1310 CHGB PQ Ville-Pocatière - 1/27 2237 Only FF on 1310 in LOG. FF talk/discussion show. Over/under many others with severe fade which turned total before I could ID. (LK-ON\*)

1340 WNBH MA Bedford - 2/1 1719 BBD mx, ID for "AM 1340, WNBH". More standards, under WNHC. Weak signal. (TF-CT)

1350 WLNH NH Laconia - 2/1 1745 Oldies mx, wx and ID for "WLNH, the Lakes Region Radio Station". Mixing with others, in WNLK null. (TF-CT)

WOYK PA York - 2/1 1740 C&W mx, ID for "Classic Country Station, AM 1350 WOYK". Mixing with others, in WNLK null. (TF-CT)

CKAR ON Oshawa - 2/1 1750 Oldies, no ID at 1800 into "CKAR News" by female annr. Lots of Canadian nx, gone by 1807. Never hrd here before. (TF-CT)

1360 WMOB AL Mobile - 2/10 1846 Fair with end of "Concepts of Faith" REL pgm and ID. (MJ-MI)

1380 WNRI RI Woonsocket - 1/29 1718 Telephone talk, ad for Omega Alarm Company in Blackstone. Way atop the frequency. (TF-CT)

1400 WHMP MA Northampton - 1/27 1806 Fair in WABY null with local nx, "WHMP Newstime 6:06." (LMc-NY)

WHMP MA Northampton - 1/29 1709 Local and state nx by female annr, ads, wx. Way over WSTC for 10 minutes. Never heard here before! (TF-CT)

1420 WEMB TN Erwin - 2/7 1805 Fair with ad for tire store in Johnson City, wx, then ID as "1420 WEMB" into C&W. Then lost in shuffle. TN #33. (GH-OH)

1430 WMRV NY Endicott - 1/16 2020 and 2100 With "On all night rock, WMRV, the Southern Tier's Superstation" and "Tell everyone at work it's the one station everyone can agree on, it's WMRV". ID at top of the hour. (LK-ON) [This was reported as an unID, but WENE recently changed to WMRV, so I deleted it from the UNIDs - Ed.]

1440 WRRO OH Warren - 2/5 2059 Fair in WMKM null with Cavaliers BKB and ID. (MJ-MI)

1460 WFYV FL Jacksonville - 2/8 2330 Good with ID as "The home of CNN Headline News". Over unID stations. (BC-NH)

WKAM IN Goshen - 2/8 1750 Fair with ad for Jeep/Eagle dealer in Goshen, into oldies mx. New for us. (MBDXP)

WBET MA Brockton - 2/8 2307 Noted with full-data sign-off after network news. Weak, under a bunch of others. (BC-NH)

1470 KWSL IA Sioux City - 2/3 2350 Topping frequency with "AM 1470 KWSL" ID just over the rumble into oldies. Then faded down into the pile. (BW-OK)

WXXW PA Allentown - 1/31 1700 Fair with legal ID "WXXW Allentown, the Lehigh Valley's first radio station." (LMc-NY)

1480 KRXR ID Gooding - 2/8 1936 Good with mentions of Idaho events coming up this weekend and into ROK mx. 4th new ID in 25 minutes!. What a great opening, just like FM, hi! (MBDXP)

1510 WAHT PA Annville-Cleona - 2/2 1608 Good briefly with songs "Feelings" and "Burning Love" (what a segue!), "1510 WAHT" slogan. (LMc-NY)

WLAC TN Nashville - 2/7 1930 Fair with "Good morning Nashville" promo and sports talk. Under WSSH. (BC-NH)

1520 WHIC KY Hardinsburg - 2/2 1835 Tail-end of late sign-off noted. Good. (MJ-MI)

WMLM MI St. Louis - 2/8 2309 Good with sign-off info. SSB sung by a male choir. (MBDXP)

WREA TN Dayton - 2/4 1842 Good with ad for AMAX, then ID "You're listening to WREA, Dayton, Tennessee" into Olivia Newton-John song. (GH-OH)

1550 WWBH FL New Smyrna Beach - 2/8 2213 Good with "Easy Listening 1550, You're On The Beach" jx and BFL mx. (BC-NH)

WYNX GA Smyrna - 1/21 1700 Fair in WARD null with Smyrna-Atlanta legal ID. (LMc-NY)

1560 WAGC AL Centre - 2/5 1901 C&W, then sign-off. Thru fades caught CL several times and transmitter site. AL #13. (GH-OH)

1590 WQCH GA Lafayette - 2/2 1829 Sign-off mentioning "serving Northwest Georgia" and "0600 to local sunset schedule", then SSB. Good. (MJ-MI)

1600 KLEB LA Golden Meadow - 2/4 1823 Fair with "The Best in country music... keep it on KLEB" into C&W. LA #14. (GH-OH)

WJQIt VA Chesapeake - 1/18 1659 Barely audible under WWRL/WIXY with Virginia Beach mentions and slogan "Virginia's Best." (LMc-NY)

REPORTERS

LK-ON Laurence Kearley Orléans, ON; ICF-SW1 + Select-A-Tenna or \* = Kingston, ON

REH-ON Charles Reh//Leamington, ON//R-390A + Sanserino Loop + TR-3000 open reel tape recorder

LMc-NY Laura McCusker Ravena, NY; GE World Monitor

KS-OH Keith Short Columbus, OH; ATS-803A + Select-A-Tenna

SF-TN Steve Francis Alcoa, TN; TRF

TF-CT Tony Fitzherbert Fairfield, CT; Superadio and ICF55W

KVJ-GA Karl Jeter Stone Mountain, GA; HQ-150, ATS-803A, 4' loop, LW

ES-AL Edward Soule Florence, AL;

PLB-MI is: Phil Boersma Spring Lake, MI;

MJ-MI Mike Jeziorski Detroit, MI; Superadio

DS-DE Dave Schmidt New Castle, DE; HQ-180A, SM2

BW-OK Bruce Winkelman, AA5CO Tulsa, OK;

GH-OH Gregory Henson Circleville, OH;

ES-AL Edward Soule Florence, AL;

BC-NH Bruce Conti Nashua, NH; R70, DX400, 2-75' Lws

MBDXP Manitoba DXpedition (Shawn Axelrod, Wayne McRae & Larry Shewchuk) at Valhalla, MB; ICR-70, TS-440 + beverages in various directions and others in various flavours!

Ed.-CA This space reserved for YOU!  
editor, N5SZC/6 Victorville, CA;

ABBREVIATIONS AND SPECIAL SYMBOLS USED IN DDXD-E

..:parallel with or to :to or into :00:on the hour AC:Adult contemporary AP:Associated Press BBD:big band BRN:Business Radio Net C&W:country & western CHR:contemporary hit radio CID:code ID CL:call letter ContChr:contemporary Christian EZZ:easy listening EE:English FF:French GOS:gospel IRN:Interstate Radio Net jx:jingle LSR:local sunrise LSS:local sunset MLB:Major League Baseball mx:music nx:news NBA:National Basketball Assn NPR:National Public Radio OC:open carrier pbp: play-by-play POL: political PSRA:pre-sunrise authority PSSA:post-sunset authority QRM:man-made interference QRN:natural interference QTH:location REL:religious ROK:rock 'n' roll RS:regular schedule \$:stereo SID:singing ID SRS:sunrise skip SS:Spanish SSB:Star Spangled Banner SSS:sunset skip TC:time check TT:test tones UC:urban contemporary UPI:United Press International wx:weather



73 Bill

In the Beginning

John D. Bowker

The complete list of U. S. broadcast stations on the indicated frequency as published by the Federal Radio Commission in 1934. "S" = shared; "SH" = Specified hours; "T" = Transmitter location; "D" = Daytime operation only; "U" = Unlimited time

Frequency (kc)	Call letters	Main studio and transmitter location	Power	Time designation
1350, region-al.	WAWZ	Zarephath, N.J.-----	250 w----	S-WBNX.
	WBNX	New York, N.Y.----- T—Cliffside, N.J.	250 w----	S-WAWZ.
	WEHC	Charlottesville, Va.-----	500 w----	D.
	KWK	St. Louis, Mo.----- T—Kirkwood.	1 kw-----	U.
	KIDO	Boise, Idaho.-----	1 kw-----	U.

# International DX Digest

*Foreign DX Catches. Times are UTC; for ELT, subtract 5 hrs.*

**Jim Renfrew**  
61 Wilcox Street  
Rochester, NY 14607-3832

I guess I shouldn't let the A-index dictate my listening habits. Tonight the WWV forecast was a quiet one, but when I turned on the radio it was just like a major aurora in progress, with no stations heard except deep-south US and Cuba, including WADU-830 (Louisiana) as strong as a local, hinting further possibilities farther west and south! Too bad dinner and work called. I would have liked to try for some Mexican stations!

Try to get your reports to me by Friday, Saturday at the latest, or else they get held over until the next week.

Jim

## PAN-AMERICAN

- 550 VENEZUELA Mundial, Caracas 2/16 0756 - With WGR off, poor in KFYR null w/single "Mundial" ID in music break. It was fun trying to find nulls on KFYR, having just gotten it as an unbelievable new one! [JR-NY]
- 620 CUBA R. Rebelde 2/16 0305 - Sports event // 600/670/710/5025, o/WSYR and other domestics. [JR-NY]
- 640 CUBA R. Progreso 2/8 2311 - Drama/comedy in Spanish, one character speaking Spanish but acting with a Japanese accent. "Ritmo!" slogan at 2330, then ID. Seems like I hear "Ritmo" every time I listen to Progreso. Good in CHOG null. [JR-NY]
- 660 MEXICO unID 2/8 0900-1030 - Probably Mexican, based upon the music selections (lots of accordions), and loop direction; weak u/WFAN, with long fades, short peaks, no announcements heard. [JR-NY]
- 660 VENEZUELA unID 2/16 0400 - Venezuelan National Anthem heard faintly u/WFAN. Only Coro is listed in 1992 WRTH, but this one looped 90 degrees farther west than Coro-780! Hmmm. [JR-NY]
- 690 ANGUILLA Caribbean Beacon 2/8 0734 - Strong w/Gene Scott evangelism program // 1610, good in CBF null. [JR-NY]
- 730 MEXICO XEX, Mexico City 2/8 0704 - Powerful signal, pinning the S-meter (and CKAC), "La Super X" IDs. [JR-NY]
- 760 CUBA R. Reloj 2/13 2257 - Good w/ticks in WJR null, right at my sunset, very early. [JR-NY]
- 780 VENEZUELA Ecos del Torbes 2/16 0310 - Very good w/music program // 4980, including cumbias, lambadas, and Spanish "rap". I stopped DXing to enjoy the music! I hadn't heard this in a while with R. Coro so dominant of late, and, in fact, Coro came back as strong as ever a few minutes later with lottery number announcements. But Ecos was heard again with s/off announcements at 0351, Táchira (state) anthem (first line is "La Gloria de la Patria"), then Venezuelan National Anthem, off 0358. 1992 WRTH says they are on til 0600 weekends, but not so on this Saturday night. [JR-NY]
- 810 BAHAMAS ZNS 2/13 2334 - Woman reading news items, including lengthy piece on poor maintenance of roads "on the island". Very good in WGY null. [JR-NY]
- 900 MEXICO XEW, Mexico City 2/8 0601 - stopping to play the Mexican National Anthem at midnight. [JR-NY]
- 1000 COLOMBIA RCN 2/10 0300 - Fair u/o WLUP, with excited SS man saying "Radio de Colooombiaaaa", followed by 5 pips marking time @0300, then another man who mentioned Cartagena in what I believe was a local station break. [BAC-NH]
- 1375 ST. PIERRE ET MIQUELON 1/30 0050 - Like a local w/Bruce Springsteen's "Tunnel of Love". 1/30 0457 - Loud w/Afro-Caribbean (Haitian) reggae-like music, w/French male vocal. [MC-MA]
- 1530 CUBA R. Morón 2/8 0228 - Good w/"la música de amor" and a promo mentioning Morón several times, no sign of WCKY. [BAC-NH]
- 1580 MEXICO Hermosillo SON 2/16 0525 - Poor but steady u/CB] w/mentions of Sonora. [JR-NY]
- 1600 CUBA Radio Havana 2/2 0145-0230 - "Broadcast to the Americas", Latin music, Letter Box, Discussion of Cuban economy and Bush's economic boycott of Cuba, news interview with Governor Mario Cuomo. [TB-OH] (Tony, since there is nothing like this listed for this frequency, and the "Broadcast to the Americas" and other features you describe are clearly for a shortwave audience, I suspect that this is a shortwave "image" that is the result of receiver

and/or antenna signal overload and appears on a "false" MW frequency. In fact, I noticed R. Nederland's Interval Signal on 535 kHz tonight, probably the same phenomenon. The Radio Moscow broadcast that you heard on 670 is likely the same thing. Perhaps one of our reporters can give a more technical explanation for these SW image receptions on MW? - Jim)

## TRANS-ATLANTIC

- 670 Radio Moscow 2/11 2335-2435 - Radio Moscow World Service, News, literature reading, and jazz music show. [TB-OH] (See comments on 1600 item above - Jim)
- 891 ALGERIA Algiers 1/21 0435 - AA talk and music to fair peaks; TA conditions below par tonight. 1/25 0154 - Fair with male AA chant. [MC-MA]
- 999 MOROCCO Ad-Dakhla 1/30 0041 - Man in AA cresting to a good peak over the 1000 QRM (WLUP phased and CKBW/CFLP in a brief "lucky" fade. [MC-MA]
- 999 SPAIN Madrid 1/30 0153 - Atop the pile w/MOR hit "Chanson d'Amour", then SS talk. [MC-MA]
- 1107 EGYPT Batra 1/25 0212 - Female AA chant to good peaks, fade pattern was fluttery. [MC-MA]
- 1296 SPAIN San Sebastian 2/7 0201 - SS man and woman good after s/off of local WJDA-1300 at 0200. Spaniards in on numerous other high-band channels, but little TA action on lower part of the band. Such propagation is more typical of summer than winter. [MC-MA]
- 1314 NORWAY Kvitsoy 1/25 0317 - Good w/man in Norwegian, then religious music, followed by woman in Norwegian. [MC-MA]
- 1521 SAUDI ARABIA Duba 1/25 0300 - Good at s/on w/guitar-like instrumental, AA talk, male Koranic recitation. Had been excellent as Open Carrier at 0230, completely demolishing WWKB then. [MC-MA]
- 1530 VATICAN CITY 1/25 0509 - Slavic talk o/u WCKY. [MC-MA]
- 1539 GERMANY Mainflingen 1/18 0601 - Man in German, to good peaks despite heavy WPTR slop. [MC-MA]
- 1548 ENGLAND 1/25 0507 - Bits of EE talk, poor. [MC-MA]
- 1557 FRANCE Nice 2/1 0543 - Woman in French, SAH 3 Hz. Bad WQXR slop. [MC-MA]
- 1566 AZORES Vila de Porto 1/30 0049 - Good w/soft PP vocal music. [MC-MA]
- 1575t GERMANY 1/25 0500 - Pips, apparent German talk by man, poor. [MC-MA]
- 1584 SPAIN 1/18 0558 - Good w/SS talk. 2/1 0540 - Fair w/man in SS. [MC-MA]
- 1593 GERMANY Langenberg 1/18 0556 - Loud w/"Pretty Woman" by Roy Orbison. 1/25 0456 - To good peaks w/man in German. [MC-MA]

## STATION NEWS

RUSSIA: Status of new, non-Governmental MW stations from "Soviet Broadcasting Newsletter" #2, 12/91, reprinted in Play-DX #679 (shortwave and FM information omitted here): R. Ekho Moskvy, Moscow 1206, 10 kW, 0500-0800, 1700-2100; R. Nostalgie, Moscow 963, 5 kW, 0600-1400; R. Europa Plus, Moscow 1116, 5 kW, 1300-0200; R. S-N-C, Moscow 1260, 10 kW, 0500-0300; R. S-N-C, St. Petersburg 1260, 50 kW, 1200-0100; R. Radonezh, Moscow 846, 50 kW, 2000-2200; R. Raduga, Moscow 612, 100 kW, 1800-1900; R. ALA, St. Petersburg 684 (power not shown), 0730-1600; R. ALA, Kaliningrad 1386, 500 kW, 0730-1600; R. Baltika, St. Petersburg 747, 10 kW, 0500-1600; R. M-F, 0600-1700 SaSu; R. Otkrytyj Gorod, St. Petersburg 747, 1700-2000; R. Golos Nadezhdy, St. Petersburg 747, 2000-2200 T,W,Sa,Su; R. Vedo, Volgograd 1161, 0400-0700 SaSu; R. DVR, Khabarovsk 1224, 1000-1200, 1700-2000 (except Su & Mo); R. Vladivostok, Vladivostok 1251, 1000 kW, 2200-2400; and R. Nezaezhnost, L'vov 936, 1600-1700. Programming on these stations includes religion, psychics, and rock music. SBN is edited by Igor Sannikov, ul. Oparina 6, kv.37, KIROV 610008 RUSSIA.

## CORRECTIONS

The 2/10 DX News IDXD shows BAC-NH's R. Reloj logging as Colombia. It should be Cuba. Thanks, Bruce.

## CONTRIBUTORS

[TB-OH] Tony Bernhoffer, Toledo OH; Pioneer SK 550 AM/FM (non-digital) portable stereo w/a homemade 2' indoor BCB loop connected to it  
[MC-MA] Mark Connelly (WAIION), Billerica MA; R-600, ICF-6500W w/G. Thomas filter mod, 2 37m longwires phased w/MWDX5 phasing unit, RTL-1 loop w/MWT-2  
[BAC-NH] Bruce A. Conti, Nashua NH; R70, DX400, 2 75' longwires  
[JR-NY] Jim Renfrew, Rochester NY; HQ-180, Sony ICF-2010, SM-1



# From the early years of radio ...

From an early 1922 RADIO BROADCAST magazine is a map of U. S. radio stations. Actually the magazine took three pages to cover the stations that were licensed in January 1922.

Back then Bill Hale would have had a much easier job with his AM Radio Station Maps. He could have done it on one page.

As I understand it, Marshall Gerken never built WDC Toledo, Ohio. Granted in January 1922, they returned the call letters back to the government in March 1922. A couple weeks later the call WDC was assigned to James L. Bush. Old timers will recall when the Tuscola, Illinois, station called itself "the third oldest station in the nation." I have heard a lot of stories on why it made that claim.

The one I like best was that everyone was claiming to be number one, so WDC decided there would be no one trying to claim to be the third oldest.

The roots of WDC began in March 1921. . . . . some say March 17th. . . when they began building an amateur station to broadcast grain markets. I know, from published reports 9JR was doing markets in April 1921. Eventually Bush was told he had to get a commercial radio license and WDC was born about April 6, 1922.

But as you can see from the enclosed pages, James L. Bush was the second party to be assigned those call letters.

Sincerely,

*Ray*  
Ray Neebe

BLAIR RADIO RECEIVER

NO. 11  
This radio receiver, submitted by the Blair Radio Laboratories, Mc-

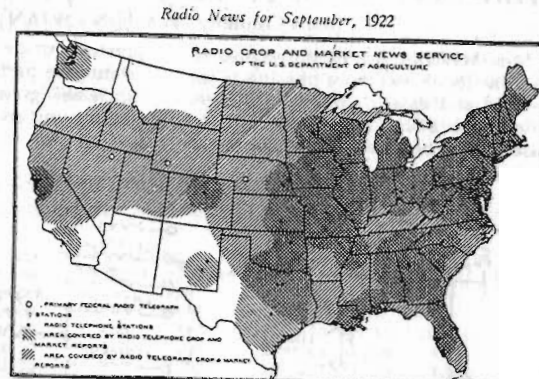


Creery Building, 23rd St. and Sixth Avenue, New York City, is of the six-tube type. It operates very satisfactorily both as regards quality and volume over the whole broadcasting range.

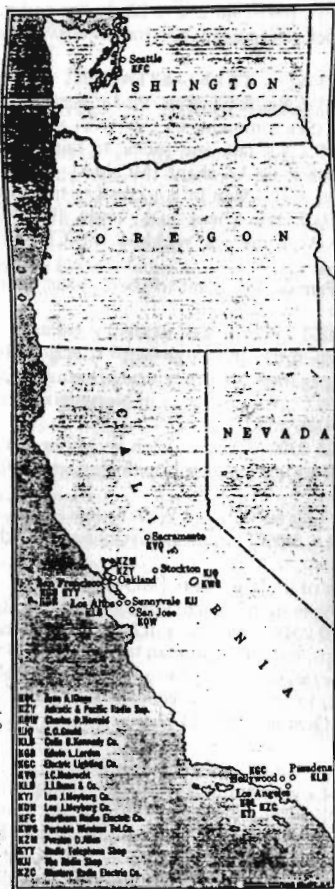
AWARDED THE RADIO NEWS LABORATORIES CERTIFICATE OF MERIT NO. 864.



GENERAL BROADCASTING STATIONS IN THE MIDDLE WEST  
In the Gulf states there are two stations. WRR, the police department of Dallas, and 2ZU, the State University of Austin, Texas. At Denver also there is station 9ZAF operated by the Reynolds Radio Co.



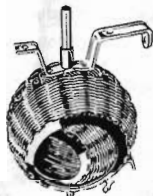
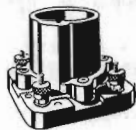
The Latest Radio Map of the United States, Showing Location of Broadcasting Stations Which Issue Crop and Market Reports.



PACIFIC COAST BROADCASTING STATIONS



GENERAL BROADCASTING STATIONS ON THE ATLANTIC SEABOARD



### CLEARCO CRYSTAL

The crystal shown in the illustration was submitted by the Clearco



Crystal Company, Idaho Springs, Colo., to the Radio News LABORATORIES for test. These crystals function very well in radio receivers, being sensitive and uniform in operation.

AWARDED THE RADIO NEWS LABORATORIES CERTIFICATE OF MERIT NO. 877.

### VOLUMAX LOOP

The Volumax loop, made by the Scott & Fetzer Company, West 114th street and Locust avenue, Cleveland, Ohio, was submitted to the Radio



News Laboratories for test. It is a collapsible loop having dimensions of approximately 1 foot by 7 feet when open. Very good signal strength can be obtained with this loop; it is also sensitive and directional.

AWARDED THE RADIO NEWS LABORATORIES CERTIFICATE OF MERIT NO. 880.

### MUSSELMAN CERTIFIED TUBE

This tube was submitted by the Van Horne Company, Franklin, Ohio, to the RADIO NEWS LABORA-



TORIES for test. The tube operates very satisfactorily in radio receivers in the capacity of either amplifier or detector. Each tube is furnished with its individual characteristic curve drawn on a printed form enclosed in the box with the tube.

AWARDED THE RADIO NEWS LABORATORIES CERTIFICATE OF MERIT NO. 875.

"If you hear the tick of a clock, you are in time with PWX"

25 MAR 1924

Radio Corporation

POST CARD

Station PWX is operated by the Cuban Telephone Company, associated with the International Telephone and Telegraph Corporation of New York. We broadcast regularly on Wednesday and Saturday nights, from 8:30 to 11 Eastern Standard Time, on a 400-meter wave-length. We have been heard in Holland, England, Alaska and throughout Central America, the United States and Canada.

*Roberto de Bastillo*

NO. 10000 OF 10000 PEARL-25112

*M. Mary Watkins*  
*Tecumseh*  
*Mich.*  
*U.S.A.*



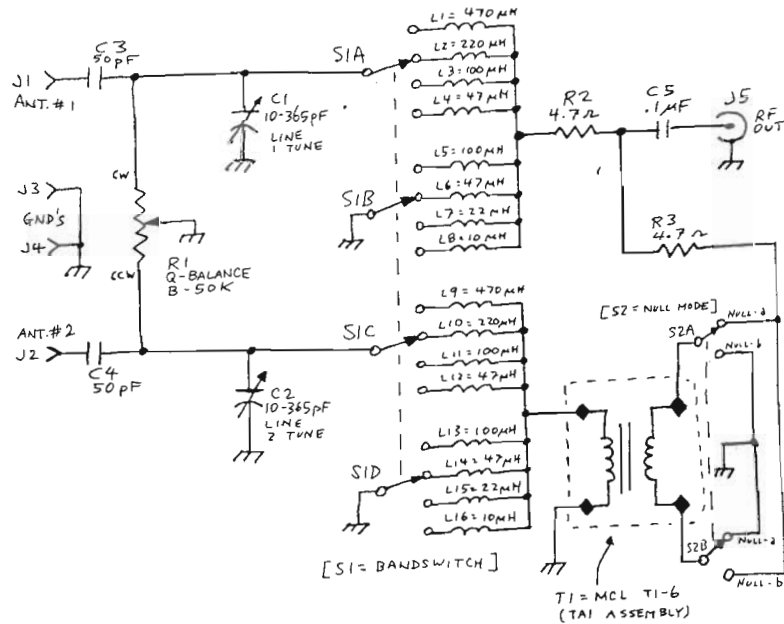
# Mini-MWDX-5: A Very Simple Phasing Unit

Mark Connelly - WA1ION - 29 JAN 1992

The Mini-MWDX-5 has been designed to give the benefits of two-wire phasing in an easy-to-build and easy-to-operate package. This article gives a brief description of it. In some cases, it will be necessary to refer to my

previous article on MWDX-5 for information relating to parts, phasing theory, etc. That article also gives an extensive list of previous phasing unit articles.

Figure 1: Mini-MWDX-5 Schematic



## Mini-MWDX-5 Two Wire Phasing Procedure

Figure 1 is the schematic of the Mini-MWDX-5. Please refer to it during this discussion of phasing procedure. Wires to be used should be at least 15m./50 ft. long. 1.0 Phasing Steps (2-wire)

1.1 Set frequency-range switch S1 to the correct range for the frequency of operation (see Table 1). Null-mode switch S2 may be put in either position: it doesn't matter yet.

1.2 Set Q-balance pot R1 to fully counterclockwise (CCW) = maximum resistance shunting C1.

1.3 Connect longwire #1 to J1 and connect longwire #2 to J2. Connect earth ground, if available, to J3 or J4. Connect phaser's output (J5), via coaxial cable, to the input of the receiver to be used, or to a tunable preamp. between phaser and receiver.

1.4 Tune Line 1 by peaking desired-frequency signal strength with C1. At this time, leave C1 at its peaked-signal position.

1.5 Turn R1 to fully clockwise (CW). Tune

Line 2 by peaking desired-frequency signal strength with C2. At this time, leave C2 at its peaked-signal position.

1.6 Set S2 to Null-a. Adjust R1 to search for a null of the dominant ("pest") station or noise. Try this again with S2 set to Null-b. Leave S2 on the position yielding the better-defined null (or if nulls were obtained both ways, put S2 on the position which gave a null with R1 set closer to its center position). Set R1 to the null-yielding position.

If a null was not found by adjusting R1, or if the final R1 setting is fully CW or fully CCW, do step 1.7 - otherwise skip to step 1.8a/b.

1.7 Set R1 fully CCW and observe Antenna #1 strength with C1 peaked. Then set R1 CW and observe Antenna #2 strength with C2 peaked. Then set R1 to center position and adjust the tuning capacitor of the antenna having the stronger "pest" station signal (C1 if Antenna #1 had been stronger, C2 if Antenna #2 had been stronger). What you are adjusting for is a null of the dominant

station (or noise). If a null is not found, set S2 to its other position (e.g. Null-b if it had been on Null-a) and re-try the same capacitor adjustment for a null.

1.8a If R1 is at center, or CCW from center, adjust C1 then R1 alternately to improve the null until no further improvement can be accomplished. Then do the final null "touch-

up" with an interactive adjustment of C2 and R1. < OR >

1.8b If R1 is CW from center, adjust C2 then R1 alternately to improve the null until no further improvement can be accomplished. Then do the final null "touch-up" with an interactive adjustment of C1 and R1.

Table 1: S1 Bandswitch Settings Chart  
(Ranges are usually a bit greater than those shown.)

S1 Position #	S1 Knob "o'clock"	Min. Freq. kHz	Max. Freq. kHz	Tank "Main" #	Inductor L uH	Values L #	Values L uH
=	=	=	=	=	=	=	=
1	10:30	400	590	L1/9	470	L5/13	100
2	11:30	590	830	L2/10	220	L6/14	47
3	12:30	830	1230	L3/11	100	L7/15	22
4	1:30	1230	1750	L4/12	47	L8/16	10

## Building the Mini-MWDX-5 Phasing Unit

This article provides documentation that should be used in conjunction with the MWDX-5 article. Parts used for Mini-MWDX-5 are a subset of those used for MWDX-5: C1, C2, J1, J2, J3, J4, J5, L1 through L16, R1, S1, and T1 (TA1 ass'y) are the same

on both units. Mini-MWDX-5 C3 and C4 are Mouser 232-1500-050. C5 of Mini-MWDX-5 = C9 of MWDX-5. S2 of Mini-MWDX-5 = S5 of MWDX-5. R2 and R3 of Mini-MWDX-5 correspond to R7 and R8 of MWDX-5.

Table 2: Mini-MWDX-5 hole-drilling list

Definitions of X, Y, D parameters are given in MWDX-5 article.

Chassis Box = Mouser 537-1F-779 (metal): 5" X 4" X 3"

### LEFT SIDE

Hole #	Comp. Desig.	Description	X	Y	D
1	G1	internal ground lug hardware	-1.5	1.5	0.125
2	J3	GND1 In - black banana jack	-0.75	1.25	0.3125
3	J1	Line 1 RF in-red banana jack	-0.75	0.5	0.3125
4	J4	GND2 In - black banana jack	0.75	1.25	0.3125
5	J2	Line 2 RF in-red banana jack	0.75	0.5	0.3125

### TOP SIDE

Mounting holes on C1 & C2 must be tapped to 6-32 thread.

Hole #	Comp. Desig.	Description	X	Y	D
1	C1	Line 1 Tuning Cap.-Mtg.H/W 1	-1.838	3.375	0.144
2	C1	Line 1 Tuning Cap. - shaft	-1.375	3.125	0.5
3	C1	Line 1 Tuning Cap.-Mtg.H/W 2	-0.912	3.375	0.144
4	C2	Line 2 Tuning Cap.-Mtg.H/W 1	-1.838	1.5	0.144
5	C2	Line 2 Tuning Cap. - shaft	-1.375	1.25	0.5
6	C2	Line 2 Tuning Cap.-Mtg.H/W 2	-0.912	1.5	0.144
7	S2	Null A/B switch - tab	0.0	3.5	0.144
8	S2	Null A/B switch - shaft	0.0	3.25	0.25
9	S1	Bandswitch - shaft	0.875	2.0	0.375
10	S1	Bandswitch - tab	1.375	2.0	0.144
11	R1	Q-balance pot - shaft	1.75	0.625	0.3125
12	R1	Q-balance pot - tab	2.0625	0.625	0.144



## RIGHT SIDE

Hole #	Comp. Desig.	Description	X	Y	D
1	G2	internal ground lug hardware	0.0	1.125	0.125
2	J5	RF out - BNC jack	0.0	0.5	0.375
3	TAL	PhaseRev. TransformerCard-H/W1	0.75	2.0	0.125
4	TAL	PhaseRev. TransformerCard-H/W2	1.55	2.0	0.125

Mini-MWDX-5 gives two-wire phasing capability that is often adequate to allow reception of desired DX after having nulled a dominant station or electrical noise. Its

## BFE-C Loop Amplifier Card

Original design: Dallas Lankford - 15 NOV 1991

Article and modified version: Mark Connelly - 04 FEB 1992

The BFE-C (Balanced Front-End Card, model C) is a "WA1ION DX Labs" implementation of Dallas Lankford's Balanced Cascode Loop Amplifier. His design is under further testing and refinement: he expects to publish a comprehensive article on it in the not-too-distant future.

Dallas's design differs slightly from BFE-C in minor ways that will be mentioned subsequently. In terms of electrical characteristics, both can be treated as the same entity. The design is an improvement on the Kolb-Sanserino amplifier long used in Radio West's loops as well as (in modified form) in the RTL-1 Remotely-Tuned Loop (BFE-A, BFE-B cards). Dallas maintains that the balanced configuration of the output transistors (Q3 and Q4) of the new design improves noise figure; using FET's in the output stage, rather than a bipolar transistor gives enhanced strong-signal performance (i. e. reduced spurious responses).

This article will not go into an in-depth design review: that will be left for Dallas's forthcoming article. Rather, the essential construction details will be supplied, so DXers can do testing of their own.

Figure 1 is the BFE-C schematic, Figure 2 is its assembly (component layout) drawing, and Table 1 is the parts list. For best results, Q1 should be matched to Q2; also, Q3 should be matched to Q4. Figure 3 shows the test circuit for measuring the voltage used to ascertain a matched condition. Two transistors producing voltage readings within 3% or better can be considered to be matched. For the purpose of getting two matched pairs of MPF102's, you should have a dozen or so transistors available.

### Variations to the BFE-C design

Dallas Lankford suggests using an Amidon ferrite bead (part number FB-101-64) on the drain lead of Q1 and one on the drain lead of Q2 rather than using low-value chokes L3 and L4. The 100 uH input inductors L1

and L2, meant to reduce sensitivity above 9 MHz, can be removed if the loop amplifier is to be used with a shortwave, rather than with a medium wave, loop. R3 and R4 may each be reduced to 2.2K or to an even lower value. This will reduce gain, thereby reducing spurious responses that can occur in urban areas with large air-core loops. With lower-gain ferrite loops, it is unlikely that overloading would be much of a problem except in the worst "transmitter alley" locations like the New Jersey Meadowlands. Dallas has recommended that larger loops be tapped down part way on the coil - again to improve dynamic range and to reduce intermodulation distortion "spurs" in strong-signal areas. He also mentioned problems with Mouser inductors opening up (a problem I've seldom encountered); he winds homebrew 100 uH inductors using 39 turns of #26 wire on an Amidon FT-50-82 toroidal core. He also homebrews the output balun transformer (12 trifilar turns #22 on Amidon FT-82-43, or 33 trifilar turns #26 on Amidon FT-82-61). There's no parametric advantage to one approach (e. g. homebrew) over the other (e. g. using the Mini-Circuits T4-6T).

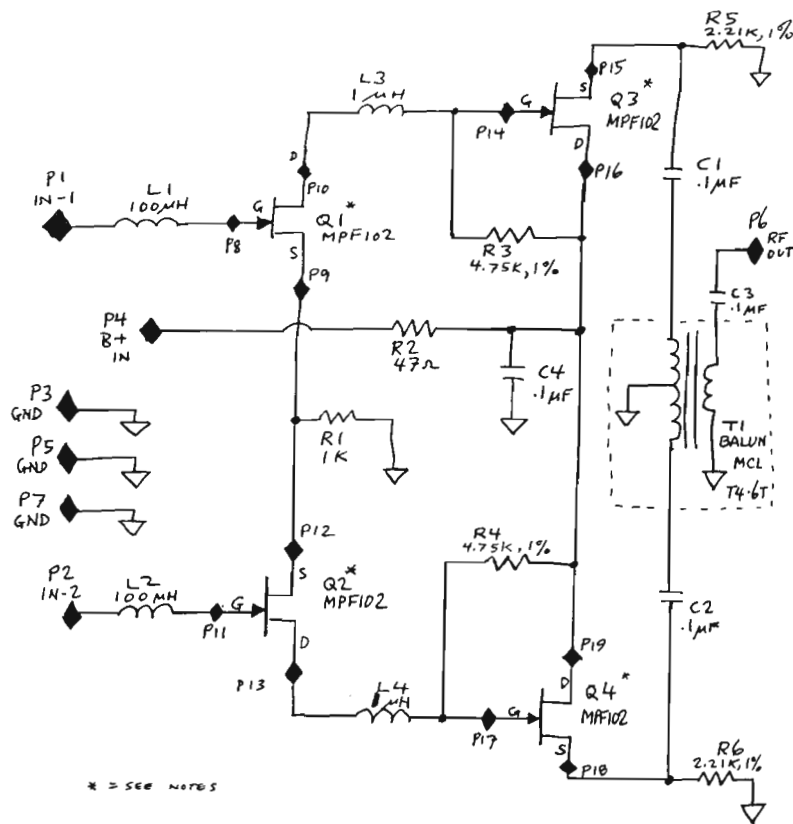
### Tests versus the BFE-A

[Refer to the article "The RTL-1 Remotely-Tuned Loop" - M. Connelly - JUL 1991]

The BFE-C amplifier card was swapped into my homebrew RTL-1 loop in place of the BFE-A. A ferrite loop head was used. BFE-C sensitivity was comparable to (consistently within 3 dB of) that of the BFE-A card across the medium-wave band. BFE-C's strong-signal handling was a bit better and its noise floor seemed lower. Tests were done with each front-end amplifier's output routed directly to the receiver and then with each amplifier's output passed through the BBA-C broadband amplifier for additional gain. Although differences weren't dramatic, I'd recommend that DXers building the RTU-1 should use the BFE-C in place of the BFE-A.

FIGURE 1:

BFE-C BALANCED FRONT-END CARD SCHEMATIC  
(WA1ION DX LABS VERSION OF LANKFORD LOOP AMP.)



### NOTES FOR FIGURES 1 & 2

- ◆, ◼ = FLEA-CLIP PINS (OPEN SIDE → ◼)
- ⏚ = CIRCUIT CARD GROUND
- ↑ = LONG-LEAD SIDE OF VERTICALLY-MOUNTED COMPONENT

FIG. 2; DIMENSIONS ARE INCHES

\* = Q1 SHOULD BE MATCHED TO Q2. Q3 SHOULD BE MATCHED TO Q4.  
SEE FIGURE 3.

## C-90 Music Grade audio cassettes

Retail value ... \$4.00 each; now at a  
special price of \$22.00 per 25, or  
\$42.00 per 50. Order from NRC  
Publications - Box 164 - Mannsville, NY  
13661. NY orders, please add sales tax.

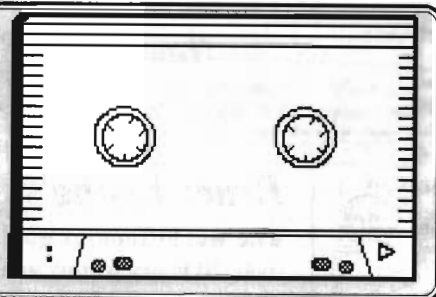
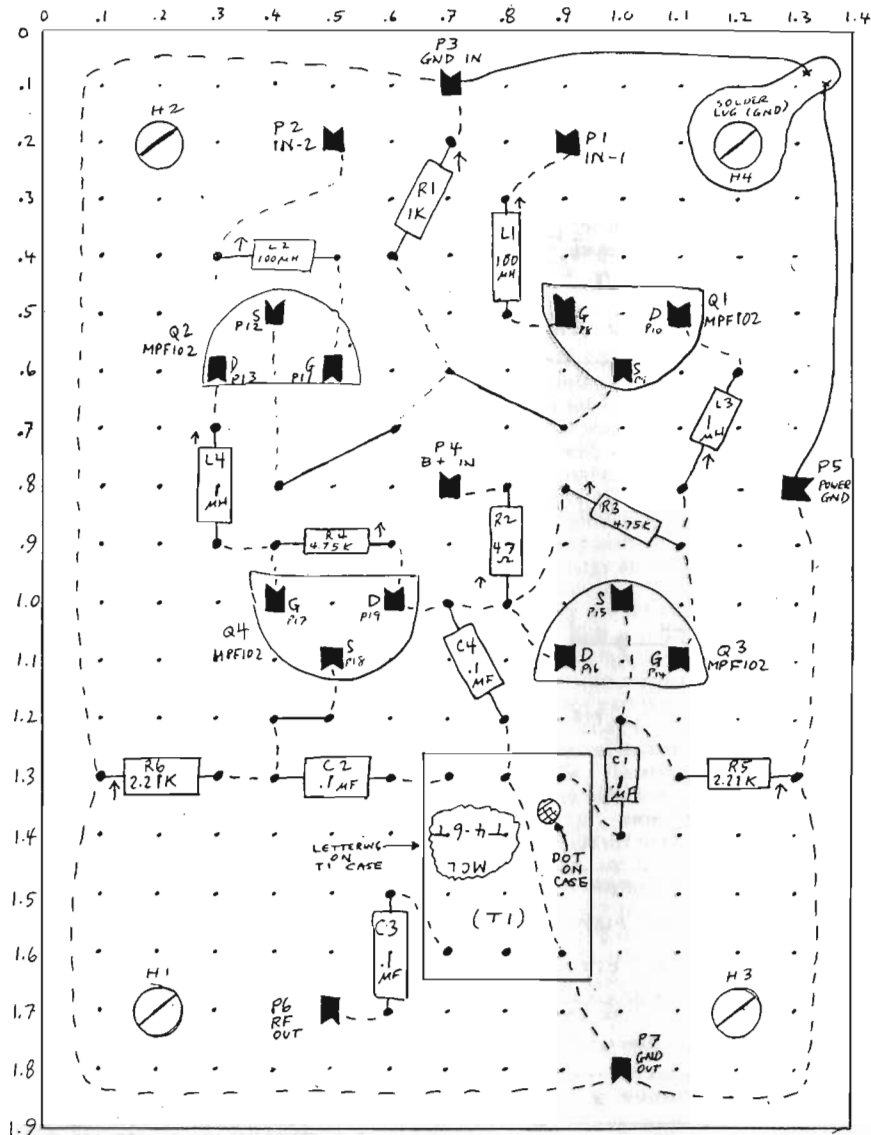
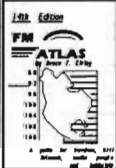


FIGURE 2 : BFE-C CARD ASSEMBLY (SEE NOTES)



### How to place mail orders ...

Write to NRC Publications - P. O. Box 164 - Mannsville, NY 13661-0164. Enclose check or money order; NY residents, add state and local taxes.



### Bruce Elving's FM Atlas ...14th Edition

The world-famous guide which has served FM DX'ers for over 20 years is now available from NRC Publications at the special price of \$12.00. NY orders, please add sales tax.

FIGURE 3 : FET-MATCHING TEST CIRCUIT

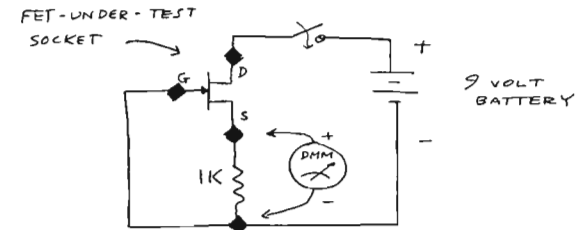


Table 1: (A1) BFE-C balanced front-end card parts list

Vendor codes:

DK = Digi-Key /P. O. Box 677  
/Thief River Falls, MN 56701-0677  
/Tel. 1-800-344-4539

MCL = Mini-Circuits / P. O. Box 350166  
/ Brooklyn, NY 11235-0003

MOU = Mouser Electronics / 11433 Woodside Ave.  
/ Santee, CA 92071  
/Tel. 1-800-346-6873

RS = Radio Shack / Many locations worldwide

Item	Designator	Description/Value	Vendor	Vendor Stock #	QTY
1	BD	perfbboard(1.9"x1.4")	RS	276-1396 (cut)	1
2	C1,C2,C3,C4	capacitor, 0.1 uF	DK	P4525	4
3	H1,H2,H3,H4	screw, 4-40 X .25"	MOU	572-01880	4
4	H1,H2,H3,H4	spacer, 4-40 X .5"	MOU	534-1450C	4
5	H1,H2,H3	split lockwasher, #4	MOU	572-00649	3
6	H4	solder lug, #4	MOU	534-7311	1
7	L1,L2	inductor, 100 uH	MOU	43LS104	2
8	L3,L4	inductor, 1 uH	MOU	43LS106	2
9	P1-P19	flea-clip, .042"hole	DK	V1069-ND	19
10	Q1,Q2,Q3,Q4	FET, MPF102	RS	276-2062 (see note)	4
11	R1	resistor, 1K	RS	271-1321	1
12	R2	resistor, 47 ohm	MOU	29SJ500-47	1
13	R3,R4	resistor, 4.75K,1%	DK	4.75KX	2
14	R5,R6	resistor, 2.2K,1%	DK	2.2KX	2
15	T1	balun transformer	MCL	T4-6T-X65	1
16	W	buss wire	RS	278-1341	approx.1'

Note: Q1 and Q2 should be matched. Q3 and Q4 should be matched. FET-matching method is given in the article's text and in Figure 3.

### NRC AM RADIO LOGBOOK

1992  
Edition

The NRC AM Radio Logbook, 1992 Edition contains verified heard station information in the U. S. and Canada. Only \$16.95; Canada \$17.95 to U. S./Canadian NRC Subscribers ONLY. \$19.95 to U. S., Non-NRC Subscriber; \$20.95 Canadian Non-NRC Subscriber. Others - please write.

Specify your mailing address and number of Logs ordered. Make out check or money order to: NRC. Mail to: NRC Publications - Box 164 - Mannsville, NY 13661 (NY residents add sales tax).

# DXWord Puzzle

Created by Frank Merrill, typeset by Albert S. Lobel

**ACROSS**

1. 250-watt daytimer on 650
5. Fast form of electronic mail
8. 1280 in Evansville, Indiana
12. 1420 in Michigan City, Indiana (has been friendly to DX'ers)
13. Common accessory at Beverage Party?
14. Someone might bring on these, too?
15. **FREQ./CALLS:** Houston TX Spanish stn.
17. Easiest W. VA. freq. for most DX'ers
18. Seattle-1300 once had these calls
19. Legendary clear-channel rocker, is now non-music like most of the rest
20. Station not yet on the air (ABBR.)
21. 2-letter slogan of Buffalo-1520 during its rock & roll heyday
22. DRAT! St. Louis 1430 just lost this
24. YET ANOTHER extinct 3-letter call in Seattle! This time it's on 1250
27. City-of-license for WDW-1440
31. FORMER CALLS of Indio CA on 1400
32. City-of-license for 29-down
33. Did \_\_\_\_\_ Swearingen watch the Super Bowl? (2 WORDS)
35. 1470 in Lewiston, Maine
36. City and state (ABBR.) of KQLX-890
38. Schedule status of most pests (ABBR.)
39. Common name prefix of West-U.S. towns
40. Language used by Sadam Hussein on Radio Baghdad (ABBR.)
41. State where 6PR, 6KY reside (ABBR.)
42. One word that could describe most
44. Station in Detroit, makes an "oldest radio station" claim as does KDKA
47. South Miami (790) just dumped these call letters!
50. FORT PIERCE, FL: graveyard station, call letters and frequency
52. Prefixes currently used in Argentina and Colombia (2 ABBR's.)
53. Many DX'ers have their radio in the \_\_\_\_\_ room
54. 750 in El Paso, Texas
55. Best bet for Mississippi, usually
56. if 55-ACROSS had been broadcasting in 1862, its country would be ABBR. this
57. Covington LA on 730

**DOWN**

1. 1240 in Pocatello, Idaho
2. Frequency for WHLI
3. 1330 in Cameron, TX
4. Historic call letters which vanished from 1460 (some of us noticed the change at 1989 Topeka convention)
5. Season considered to be true start of DX season.
6. Most of us would love to hear this place!
7. Powerful Mexican on 990
8. 1050 in Kenosha, WI
9. Non-commercial station on 640
10. Even this James Bond spy would be stumped with some of our UNID's
11. Very early calls for KNBR
16. Belonging to the 1590 in Boone IA (possessive noun)
20. One of the prefixes used in the
21. Albany MN on 1150
23. Until several years ago the only daytimer on 760
24. 1400 in Cañon City, Colorado
25. Traditional ABBR. for WSM's state
26. Many westerners ----- really like to hear Grand Rapids on 1300
27. 3YA, 2UE, 3LO, etc. are stations from "\_\_\_\_ under"
28. WHO-1040: "We hate \_\_\_\_\_"?????
29. Michigan station on 1080
30. City-of-license of KIKS-1370
31. 1290 in Siloam Springs, Ark.
34. Remove the postal abbreviation from WOOF-560's state and you're left with this
37. WAPA, RJR-580 and WVWI are all in the West \_\_\_\_\_
39. Continent for ZP, CX and ZY call-letter prefixes (ABBR.)
41. Alternate answer for 55-across, this one's on 810
43. A well-known radio club (ABBR.)
44. Under the current call-letters scheme, this was probably the first AMATEUR RADIO call-letter assignment in Southeast U.S.
45. Massachusetts FM station (yeah, I know, but this IS applicable)
46. Powerful Japan station on 693
47. This clear-channel station once was "The Nations Station" and briefly tested with 500 Kw!
48. Agency which regulates and oversees fission-energy power



RICKERTS ROAD, P.O. BOX 2187, DOYLESTOWN, PA 18901

1	2	3	4	XXXX	5	6	7	XXXX	8	9	10	11	
				XXXX				XXXX					
				XXXX				XXXX					
12				XXXX	13			XXXX	14				
				XXXX				XXXX					
				XXXX				XXXX					
15				XXXX	16			XXXX	17				
				XXXX				XXXX					
				XXXX				XXXX					
XXXX	XXXX	XXXX	21		XXXX	22		XXXX	24	25	26		
XXXX	XXXX	XXXX			XXXX			XXXX					
XXXX	XXXX	XXXX			XXXX			XXXX					
27	28	29			30			XXXX	31				
								XXXX					
								XXXX					
32								XXXX	33	34			
								XXXX					
								XXXX					
35					XXXX	36	37						
					XXXX								
					XXXX								
38				XXXX	39			XXXX	40		XXXX	XXXX	XXXX
				XXXX				XXXX			XXXX	XXXX	XXXX
				XXXX				XXXX			XXXX	XXXX	XXXX
XXXX	XXXX	XXXX	41		XXXX	42	43		XXXX	44	45	46	
XXXX	XXXX	XXXX			XXXX				XXXX				
XXXX	XXXX	XXXX			XXXX				XXXX				
47	48	49			XXXX	50				51			
					XXXX								
					XXXX								
52					XXXX	53			XXXX	54			
					XXXX				XXXX				
					XXXX				XXXX				
55					XXXX	56			XXXX	57			
					XXXX				XXXX				
					XXXX				XXXX				

**Answers below**

E	R	V	M	V	S	C	D	R	C	O	M
V	H	V	K	C	R	E	R	I	B	R	T
O	O	P	I	V	R	I	M	S	M	N	M
A	M	M	H	I	G	V	M	S	N		
			V	V	K	V	S	d	S	N	
G	N	N	O	B	S	I	T	H	V	T	M
O	N	T	I	V	F	O	S	S	O	M	O
O	E	R	K	C	V	I	D	V	M	O	D
M	J	K	X	M	X	E	K				
			d	C	S	T	M	T	O	X	
O	L	I	I	W	V	T	K	O	I	O	I
d	O	T	E	T	V	S	H	I	M		
X	O	M	M	X	V	A	R	K	V	I	K

plants (HEY! This is supposed to be a DX puzzle! Why is this in here????)

49. 580 in Harrisburg PA, very tough to hear to the west
50. Washington DX no longer has these calls on 980, but they still use them during non-ID times for a "slogan"
51. Amount of power usually used by U.S. graveyarders (ABBR.)

## It's Spring Clearance Time!

Yep, Ken says they have to go ...  while they last, music-quality C-60 tapes, 25 for \$20.00 ...  The Beverage Antenna Book and  The Loop Antenna Book: \$4.50 each. Rush your check or money order to NRC Publications; NY orders, be sure to add sales tax.

# Musings

## of the Members

Thoughts from NRC members ... the opinions expressed in this column are those of the individual writer and do not necessarily reflect those of the editors, publishers, or the National Radio Club, Inc.

### Dave Schmidt

P. O. Box 11502

Wilmington, DE 19850-1502

Times are local per Muse; submit double-spaced only.

There are MANY states.....we have a state of mind, a state of confusion, we have the Keystone State, the Garden State, the Nutmeg state, we have the State of the Nation speech each year, you read about the "State of State", but only in the radio listening world can we have THE HOLLOW STATE! A tip of the hat to those who still enjoy the glow and warmth of the tube rigs, we dedicate this edition of MUSINGS to you! (And if needed, PART 2 will follow!)

**KERMIT GEARY - 1266 RIVERVIEW DRIVE - WALNUTPORT, PA 19088**

Greetings to my fellow HOLLOW STATERS! The arcane gadgetry of the elite solid state radio leaves me as cold as their circuitry when compared with the warm glow of a tube line-up. You can see & feel those tubes working for you! This old timer teathed on tube receivers starting with a 1926 USL 5 tube regenerative radio built by the USL Battery Co., Buffalo, NY. That set was in use from 1926 till 1935 and produced such catches as KOB-1500 Santa Barbara, CA (100 watts), KFFM-1310 Greenville, TX (15 watts), WREC-1180 Coldwater, MS (10 watts) and WAGS-1390 Lexington, MA (5 watts), also YV1BC, HHK, HIX & PWX (Havana, Cuba). When I read that other DXers were logging split frequency TA's, I decided a better receiver was needed so in 1935 a new design in single-signal reception graced my den, a National HRO. This set brought in 40 Ausies including 2CK-1460 with only 300 watts, 2Zedders (ZL's), KFAR-660 & KTKN-930, Sweden-1562 (2500 watts), Germany-1484 (2000 watts), AFN-1438 Leghorn, Italy (1000 watts), WIND-1594 Nauvassau, Morocco (400 watts), CB120 Valparaiso, Chile (1000 watts), HJHB-1170 Pasto, Col. (250 watts), AFRS-1580 Adak (250 watts), KIKI-830 Honolulu (250 watts), WVDI2-1040 Trinidad (50 watts) & several West Coast 50 watters including CFCT, Victoria, BC. The HRO was replaced by a new HQ180 in 1963 and it has been my workhorse ever since, brining in China-1525, 1ZD-1000 & Ivory Coast-1493 to name a few. Its latest feat was hauling in 3 segments of code on 720 during KUAI's DX TEST on 1/12 between 5:17 & 5:37 AM when CHTN faded and a nice v/c has already been received. A Collins R389 is a backup receiver, used chiefly for LW reception and a DB22A preselector is also on hand. Loggings since my previous report include: 1/16 WNRJ-1540 5:08-5:23 PM & WBRV-1540 5:53-6 PM; 1/17 WRZN-720 5:47-5:56 PM & Kingston-720 6:9-15 PM; 1/20 an unbelievable S8 signal from WRPQ-740 from 3:16 until fade-out at 3:30 AM (verie claims only 6.4 watts), unnn WJJC-1270 DX TEST 3:32-4:01 AM & WMYF-1540 5:36-5:41 PM; 1/27 KOIO-1350 DX TEST 1:48-2:12 AM; 1/31 WMRV-1430 7:36-8:02 AM; 2/3 Unn WLDS-1180 DX TEST 2-2:31 AM, & KHAC-880 DX TEST 3:21-3:47 AM; 2/2 WERQ-1010 5:24-5:47 PM & 2/10 Unn WVVM-630 DX TEST 12:10-12:30 AM, previous noverifier XEFAJ-1560 'Radio Consentida' strong 12:50-2:15 AM & WVBH-1550 'The Beach' 2:40 until the s/on of YVMW 'Radio Metropolitana' w/NA at 3:30 AM. Veries during the period were received from KKID-1560, KMYZ-1570, WQGR-1540, WSTH-540, WFKB-870, WGKA-1190, WRPQ-740, WNRJ-1580, WBRV-1540, WODE-1230, & WMYF-1540, signers to WAYNE HEINEN. I want to correct a misstatement by myself and others regarding the MEDFER beacons between 1620 & 1700 khz. Their maximum input power is 0.1 watts (100 milliwatts), not 1 watt, and note this in a verie from ABC-1648.5 Hilton Head Island, SC, my most distant MedFer to date: "the 6AQ5 tube final is running at about 73% efficiency, so the power output is approx. 73 milliwatts. The efficiency of the ANT/GND systems is about 6.7% total, so the actual RF radiated power output is about 5 milliwatts!" These beacons are 100% verifiers, 9 veries for 9 reports, so go get 'em fellows! Good DX to everyone, long live Hollow State!

**STAN MORSS - ROUTE 2 - BOXFORD, MA 01921**

Guess I'll get in my annual report as I am a 25+ and a HOLLOW STATE member also, using a Hammerlund HQ180A & an HQ150, and am on my 51st year as an NRC member & a fulltime farmer even longer. I actually bought my first copy of Radex in 1/36 and started to verify stations in 1940, WCKY was #1 & WOV was #2 verified. Probably among the best of the 4100+ stations verified would be WIND-Nauvassau, French Morocco, CFSE-PQ & KPPC-Pasadena, CA, & although for the pure enjoyment, I'll take XERA w/Dr. Brinkley & XENT w/Dr. Baker, good CW music and interesting advertising, nothing like it today! DX now takes a near back seat to business and a tremendous increase in government record keeping that takes all my spare time & a nasty buzz that I inherited from ERC, it comes & goes and so far, not traced, cuts down DX time. Still a lot of locals off the air but WKBR, WNEA, WNSH, are back on. WICE-550 now using 'WHIM Country' as their ID w/CW music w/WWRX on 1110 now all news. CE says still WICE 'as of now' but letterhead shows WICE & 'WHIM Country' equally, but teh WHIM call went to a ME FM CP! WQTV TEST in fairly well and verified though not needed. WWII-720 TEST also heard but third to WGN/CHTN. CHTN is a 'semi local' here day & night. CFDR-780 does pretty well days and no doubt 840 will have CKCW as a daytime local if they get their application Oked.

**MICHAEL HAWK (NØDSY) - 10212 P STREET - OMAHA, NE 68127-2130**

This is my first MUSE in quite a while (since Oct. 21). Yes, I am one of those who warms his shack with tube gear. I first got interested in it because I didn't have the money for the new stuff and I have always heard that good Hellicrafters, Collins, or Hammerlund gear can equal or out-perform many of the newer portables and communications receivers. My first tube set was a Hammerlund HQ-140X. It was in great shape (almost like it was new) and performed well. The only problem was it didn't have some of the nice features, like vernier tuning & variable selectivity. Anyway, I eventually traded it in towards a Kenwood R1000. That was it for the tube receivers until I saw an add in the paper one day, someone was selling an HQ180AC, an HQ170 & a couple Nationals for \$125 each or \$400 for all 4. I did buy the HQ180AC. It turned out the person selling these sets was former NRCer David Margratz. The HQ180AC was in OK shape, there were a few scratches and the band switch didn't work quite right. That was fixed and it is now in tip-top shape! I plan to hold on to this classic radio for years. The ham rig which I finally settled on (a FT104E) has tubes but only in the final amplifier stage. Most of my Free time has been spent on the ham bands or FM DX-ing. I have upgraded my ham ticket to advanced so I look forward to meeting some of you on the NRC Ham Net! I have managed to catch some of the DX TESTS including WQQT-820, KHAC-880, a tentative log of WCAT-700, WJIC-1510 (NJ #1) & WSKE-1040. I caught local KFAB off the air one evening a few months back, noting in their absence WBT/XERED & KBOZ-1090 w/Z94 ID's. Last January, I attended a GTG at NEIL ZANK's house in Lincoln, their were 8 in attendance, including a chance to hear some tapes of DX of great loggings from "The NE Beverage Antenna." It was fun listening to OR stations at local strength, a state I still need! I plan on attending this years convention due to its close location, I hope to see you all there! One other note, the K index on 2/8 was 7 & the A index was 46, a sure sign of an aurora. I spent most of my time on the FM & Ham Bands looking for aurora scatter but none showed. I AM had many of the usual aurora stations including Belize-830 & many Mexicans. 73's

**DAVE SCHMIOT - P O BOX 11502 - WILMINGTON, DE 19850**

Starting back in 1964 when I first joined the NRC, my first Hollow State receiver was from a car, a radio that my father had saved from a HUDSON! It had good sensitivity & was reasonable for selectivity and managed to pull in about 500 stations from ME to CA & WA, such as KGA-1510 (who verified right away in those days!), KNX-1070 & KGN0-1370 at sunset, the radio ran with a model train power-pack then we built a well filtered & regulated power supply and it served up til about 1968 when it finally gave up. I borrowed a PHILCO tube top set from BEN DANGERFIELD for a while, it pulled in about 200 more then got my hands on a used HQ180 from HAMBURGERS in Philadelphia. The set had a problem in the AGC circuit, it was back in the shop many times but no one could find the problem. When it was working right, it couldn't be beat as I could get right next to the locals and with the loop, I could get stations under stations! Some of the better ones included the DX TEST from KULE-730 (250 watts) & the biggy, KORL-650 in the late 60's when WSM was off MM's. In the 70's, a very brand new, right off the line HQ180A was purchased through GLENN JACOBS and it is still my main receiver. Then NRCer WES BOYD from Youngstown got the old HQ180 and, I believe, he still has it going. I've added an HQ180AX (from DXCHANGE in the NRC from JERRY STRAWMAN a few years back) which Jerry redid front panel wise to factory specs, it looks like it came out of the box yesterday. I've also got 3 R390A's (had up to 11 at one point!), an R390, an R392, and a R391 (an R390 with auto-tuning, if that is the correct designation), all operational. I also maintain a frequency measurement lab using mid 1940 equipment, still in continuous service since it was started here in 1986. The only solid state equipment in use here is a GE Superadio II & an Onkyo T9090 FM tuner, that's it! My electric bill isn't any higher now than it was 10 years ago so I guess those tubes don't use up all that much electric. My travels in recent weeks have taken me to WETT-1590 where work is being done on a regular basis. No other news to report, it's been quiet. My hat is tipped to those who checked in with this edition of MUSINGS and I would like to hear from more, KERMIT GEARY has submitted one of the most interesting ones I've seen in a while, he's really pulling them in! Any NRCers planning on attending the NASWA Winterfest in MARCH? We'll be there, so if you do come, make sure you come up and give an intro. I'm also planning on attending the BALTIMORE HAMFEST either on 3/28 or 3/29 at the Fairgrounds. Again a big thank you to all those who reported, Kermit, Stan & Mike, and we'll have a Part 2 if you send in a MUSING! 73's

## NRC Coffee Mug

Nine-ounce size ... white glass ... with NRC emblem printed in black on both sides. It's oven-proof and microwavable. Makes a great gift. \$6 to U.S. addresses \$6.75 Canadian. Order from NRC Publications (NY residents, add sales tax).

