

DX News

Since 1933. We know radio.

Volume 59, No. 2 - October 14, 1991 (ISSN 0737-1659)



Inside...

- 2 .. AM Switch
- 3 .. DDXD-W
- 3 .. In the Beginning
- 4 .. DDXD-E
- 8 .. GYDXA-1400

- 9 .. DX Test Special
- 10 .. FCC Expands Band
- 11 .. DCP-1 Controller/Phaser
- 17 .. College Sports
- 18 .. Radio Roundup
- 20 .. Radio Waves
- 21 .. Musings

CPC Test ...

KCRV-1370 - P. O. Box 9 - Carruthersville, MO 63680 will present a special DX Test Monday morning October 28 at 0615 ELT. The test will include tones, music, Morse code, and voice. Arranged for the NRC by the Colorado CPC Machine.

From the Publisher ... Hello, test, test! Ahem! We're into the weeklies now, and columnists not represented in this issue have issued a plea for contributions (although Jim Renfrew reported that his column was returned for some reason by the USPS). So ... try DX ... you'll like it! And ... we still could use some occasional typists with computers (see #1). Don't forget to forward corrections to both the AM and the FM logs to General Manager Mike Knitter.

We've yet to get a volunteer to manage the NRC Contests, and we'd like to re-activate International DX Achievements, too. Furthermore, if several of you would update your Domestic DX Achievements by sending them to Don Erickson - 6059 Essex St. - Riverside, CA 92504-1599, I bet he'd reactivate DDXA, too! (And whatever happened to Unreported Stations, now that I'm thinking of it? Perhaps it disappeared three years or more ago because the former editor of it is no longer an editor or active DX'er ... well, let's put that up for grabs, while we're at it. The object is to list stations which never have been reported by NRC'ers in DXN columns.)

They joined ... Bill Estes, Huntsville, AL; and Verlin Shinn, Hidden Hills, CA.

Publications ... Antonio Ribeiro da Motta and Claudio Rotolo de Moraes have updated and re-issued "Brazilian Medium Wave, Shortwave, and FM Stations List (12th Edition, June, 1991)". All Brazilian MW, SW, and FM stations are listed by frequency, call-sign, power, name, location, state and ZIP code as well as their schedule - about 3,000 entries. you can order for US\$4.00 or 8 IRC's from Suriname DX Club International - Bechaniestraat 58, Paramaribo, Suriname ...

Fine Tuning's "Proceedings 1991" is still available; it includes an article written by NRC's Jim Renfrew plus many others. NA orders are \$19.50 plus \$2.00 postage; outside the U. S., postal costs are \$3.00 surface book rate (takes up to 6 months, believe me!), or \$15.00 airmail (U. S. funds on a U. S. bank only). Order from Fine Tuning Special Publications, c/o John Bryant - RRT #5, Box 14 - Stillwater, OK 74074 USA. (Limited quantities for previous "Proceedings" editions - 1988, 1989, 1990 - are available for the same prices.) '73's.

DX Time Machine

From the pages of DX News

50 years ago ... from the Oct. 11, 1941 DXN: Ernie Cooper logged the NRC DX program from WKWK-1400 while standing in the Brooklyn Dodgers bleachers line at Ebbets Field at 2:45 am.

25 years ago ... from the Oct. 1, 1966 DXN: Final contest standings included the following, from 1-20: Jeff Kadet, MD; Bruce Reynolds, MO; Steve McIntire, IA; Duane Giese, MO; Ken Butterfield, MI; Steve Weinstein, PA; Don Erickson, CA; Richard Brazier, CA; Dave Schmidt, PA; Ed Marr, IL; Larry Lehmer, IA; Walt Breville, MO; Gregg Calkin, NB; Garry Stoklas, CA; Wayne Heinen, NY; Fred Nordquist, OK; Steve Russell, MD; Gray Scrimgeour, CA; Bill Lips, CA; and John Navin, NC.

10 years ago ... from the Oct. 19, 1981 DXN: No CPC tests were scheduled for the future, and CPC coordinator Neil Zank asked members to help with asking stations to test ... a government official predicted that Cuban stations could severely interfere with U. S. stations, Already, eight Miami stations reported interference.

AM Switch

Jerry Starr
c/o WHOT Radio
4040 Simon Road
Youngstown, OH 44512-1320

Status changes in AM stations, supplied by the FCC and listeners

CALL LETTER CHANGES

Old call:

600	CFCF	PQ	Montreal
630	KXDC	CA	Monterey
720	WRBR	MS	Richland
870	KROL	NV	Laughlin
880	KIKR	TX	Conroe
1240	KVSO	OK	Ardmore
1260	KSNO	CO	Aspen
1300	WYTL	IN	Terre Haute
1340	KSGR	ID	Nampa
	KRCV	NV	Reno
1450	WQIC	MS	Meridian
1460	WCMB	PA	Harrisburg
1530	KGTN	TX	Creedmore

New call:

CIQC
KIDD
WWDF
KOWA
KJOJ
KKAJ
KRKE*
WJSH*
KANR
KXEQ
WMGP
WIMX
KOPY

* Notes on calls: KSNO-1260 requested KRKE once before but never used the call and the time to change ran out, now they are asking for KRKE again. WYTL-1300 is silent, perhaps this call request is a sign of its impending return.

APPLICATIONS / GRANTS FOR NEW STATIONS

None

APPLICATIONS FROM EXISTING FACILITIES

1000 KFLG AZ Bullhead City: reduce power to 1000 watts (we show this station already at 1000 watts, not sure what this is all about)

1370 WTKY KY Tompkinsville: reduce power to 2100 watts

GRANTS TO EXISTING FACILITIES

1340 WADE NC Wadesboro: increase day power to 1000 watts, changes in antenna system

1420 WXGM VA Gloucester: reduce power to 740 watts, changes in antenna system

1450 WELY MN Ely: relocate transmitter site

OTHERNESS

830 WKTZ OH Cortland: silent station ON THE AIR with what seems to be tests, has not yet begun using new call, sked seems to be very sporadic, as I type this they are programming a mixture of dead air and march music! ERC would love it, hi.

1010 KDLA LA DeRidder: recently went silent, is expected to return soon, their silent FM has already returned.

1170 WJCC MA Norfolk: station is SILENT

1230 WNEB MA Worcester: station is SILENT

1270 WSPR MA Springfield: station is SILENT (all these MA stations going off may be a reflection of the state's recent disastrous economic downturn)

KY NEWS RADIO 1060
ALL NEWS ALL THE TIME

INDEPENDENCE MALL EAST
PHILADELPHIA PA 19106

1400 WYR SC spartanburg: silent station is ON THE AIR
1490 WMSL GA Monroe: station is SILENT
1570 WGLX OH Galion: station is SILENT

THANKS: JOHN BOWKER, WES BOYD, KEN BUTTERFIELD, M STREET JOURNAL

73 and Good DX, *Jerry's BKF* Jerry Starr & Buffalo K. Foorman

Domestic DX Digest - West

DX Catches in the Western U. S. and Canada, with 24-hr. ELT

Wayne Heinen

4131 S. Andes Way
Aurora, CO 80013-3831
FidoNet: 104/108 (303) 699-6335 (ppd)

Guess John's the only DX'er in the west who's been listening lately!

SPECIAL!

1480 KCMZ TX Dallas

9/25 2330 Noted w/NOS format "All Memories all the time" & "KCMZ 14-80" Fair signal (ex-KDBN) (OW-CO)

Midnight to Middy!

1410 KERN CA Bakersfield

9/26 0828 Market report on CA Ag Network ID "NewsRadio 1410 KERN" to Paul Harvey. Mixing w/KFMS & KCOL. Watch out as KCOL also uses as "NewsRadio 1410" slogan! (OW-CO)

1580 KBLA CA Santa Monica

9/27 0359 ID "KBLA, Santa Monica-Los Angeles K- Business Los Angeles" to ABC Nt..also using "KBLA Business 24 hours a day". (OW-CO)

CONTRIBUTOR!

(OW-CO) John Wilkins Wheatfarmer, CO - R-1000, 4.238' Anguilla Loop, GE SuperRadio

73
Wayne

KLU
KANSAS
Mt. Pleasant

IN THE BEGINNING

BY JOHN D. BOWKER

THIS IS THE COMPLETE LIST OF U. S. BROADCAST STATIONS ON THE INDICATED FREQUENCY AS PUBLISHED BY THE FEDERAL RADIO COMMISSION IN 1934. "S" MEANS SHARED; "SH" MEANS SPECIFIED HOURS; "T" INDICATES TRANSMITTER LOCATION; "D" MEANS DAYTIME OPERATION ONLY; "U" MEANS UNLIMITED TIME.

Frequency (kc)	Call letters	Main studio and transmitter location	Power	Time designation
1120, regional (Canadian shared).	WDEL	Wilmington, Del.	{250 w. --- 500 w LS.}	U.
	WTAW	College Station, Tex.	500 w. ---	S-KTRH.
	KTRH	Houston, Tex.	500 w. ---	S-WTAW.
	WHB	Kansas City, Mo.	500 w. ---	Exp. period.
		T-North Kansas City.		
		(S.A. experimental, see 860 kilocycles.)		
	WHAD	Milwaukee, Wis.	250 w. ---	S.H.
	WISN	do.	250 w. ---	S.H.
	KFSG	Los Angeles, Calif.	500 w. ---	S-KRKD.
	KRKD	do.	500 w. ---	S-KFSG.
	KRSC	Seattle, Wash.	100 w. ---	D.
	KFIO	Spokane, Wash.	100 w. ---	D.

Domestic DX Digest - East

DX Catches in the Eastern U. S. and Canada, with 24-hr. ELT

William Hale

734 Burleson
San Marcos, TX 78666-4335

MEDIUM WAVE RAMBLINGS

■ Welcome to another edition of the column which asks the burning question? Anyway, a small, but dedicated cadre of reporters turned out this week to tell you what they've heard. Now it's your turn to reciprocate. Reciprocate? I thought we were going to DX!

SPECIAL

- 540 WWCS** PA CANONSBURG - 9/16 1200 signed on today with *Spirit 54 & Your Christian Station* after signing off 9/15 at 1400 with CLA mx; also runs CBN Nx with local inserts & taped contemporary REL mx; signed off at 2200, up from 2100; yuck, yuck anyway!; wanted old WARO CLs, but were taken by 670 in VA (JM-PA)
- COEL**
950 AM FM 92
Oelwein
- WWCS** PA CANONSBURG - 9/14 1440-1500 weak with CLA mx (*Swan Lake*, others); Bulletin Board at 1442...but then I
- WWCS** PA CANONSBURG - 9/16 1650-1701 still weak; Good-bye Brahms, Hello Bob Larson and other REL types; drops CLA for REL format; slogan: *The Christian Station*, stn mgr invited prospective advertisers to call stn at 745-5400 or 531-WWCS to discuss terms (GV-PA)
- 600 KERB** TX KERMIT - 9/22 0703 station back on air; hrd sign-on with SSB, then female in EE: *KERB Kermit, Texas signing on*, then male in SS: *Usted esta Escuchando a KERB* - Pancho Villa's anthem *Guadalajara*, the SS mx for next 15 minutes; WREC nulled (JB-TX)
- 1280 CFYZ** ON TORONTO - now here, ex:530 helping clear the way for CIAO to move down from 790; 1st noted 9/8 0911 with airport info, CL ID and mention of *Pearson Int'l Airport*, much weaker than on 530, mixing with WPXY here in the eastern part of Metropolitan Toronto (MS-ON)

UNIDS AND UNID HELP

- 960 UNID** ?? - 9/19 1702 suddenly in over XEK with *KM/JL* loud & clear; this call not in NRC Log on 960 (JB-TX)
- 990 UNID** ?? - 9/7 0503 poor - fair with ABC info Nx, then promo for *Roger Karpoff or Karhar (?) Monday to Friday at 7:54 for Inside* ____, then female with possible wx in a fade; seemed to be all news; looped East/West in WIVK null in CBW SP (SA-MB)

MIDNIGHT TO 0800 HOURS ELT

- 970 CBZ** NB FREDERICTON - 9/22 0534 fairly strong signal, wx for the Maritime Provinces followed with *...the time is 26 minutes before 7 AM*, which would be ADT (JH-PA)
- 990 WIVK** TN KNOXVILLE - 9/9 0003 good with wx mentioning temperature in upper 80s for the next two days, mention of *Channel 10 staff meteorologist*, WIVK-AM & FM ID - C&W mx; no sign of usual stns from Rochester, Montreal & Winnipeg (MS-ON)
- 1000 WMUF** TN PARIS - 9/23 0728 w/C&W ID: *Country One-Thousand WMUF* (JB-TX)
- 1050 WSEN** NY BALDWINVILLE - 9/25 0744 with wx followed by CL ID: *WSEN AM 1050 and WSEN-FM 92.1*; checked FM in NRC Log and found this correct; in WEVD null (JH-PA)
- 1130 WCXI** MI DETROIT - 9/22 0800 CL ID followed by MBS Nx; in dominant WNEW null (JH-PA)
- KFAN** MN MINNEAPOLIS - 8/29 0625 XLNT with *Sportsradio 1130, KFAN* IDs; all-sports as far as I've heard; new & MN #108 (SA-MB)
- 1140 CISS?** AB CALGARY - 9/15 0625 good with *The Fox and Calgary's Classic Rock* IDs, playing a mix of OLD and new ROK mx (VAL-DX)

- 1230 KFUN** NM LAS VEGAS - 9/15 0759 fair with *KFUN Las Vegas, New Mexico* begins its broadcast day . . . ; no SSB hrd, then - news; new for us (VAL-DX)
- 1300 KVOR** CO COLORADO SPRINGS - 9/15 0750 good with CNN Headline News pgms; new for us (VAL-DX)
- 1340 CHLW1** AB GRANDE CACHE - 9/15 0544 fair with C&W mx from Star Country; also | 1370 (VAL-DX)
- 1410 KQAM** KS WICHITA - 9/21 0430 ID: *You're tuned to AM 1410 KQAM* (JB-TX)
- 1450 WDLB** WI MARSHFIELD - 9/7 0603 fair with ABC Info Nx, *WDLB* ID - WI wx; new for WI #79 (SA-MB)
- 1460 WXOK** LA BATON ROUGE - 9/21 0412 LC mx and *Spend a weekend of* __ on *WXOK* (JB-TX)

1600 TO 2400 HOURS ELT

- 820 WIQT** NY HORSEHEADS - 9/22 1900 camped on this freq hoping to get WNYC, but instead got this one with positive CL ID, preceded with a REL pgm soliciting money donations; big fight with WQSI/CHAM/WOSU; fortunately WIQT won out at CL time (JH-PA)
- 890 WHNC** NC HENDERSON - 9/23 1915 fair after WFKJ-PA's sign-off at 1913; had numerous non-local ads, then sign-off annc; closed with mx from the movie *ET* (HJH-PA)
- 920 WIRD** NY LAKE PLACID - 9/19 1946-2000 loud at times with ads for *Grandview Window Washing Co.* and *Jimmy's Lunch*; AC format, called self *Adirondack Radio* (HJH-PA)
- CJCH** NS HALIFAX - 9/19 2003 strong w/ID and *Love Songs* program (HJH-PA)
- 950 WBBF** NY ROCHESTER - 9/10 1937 fair in CKBB null with ad for *Sullivan's Collision* on South Quinter, *WBBF* ID jx - NOS-type mx such as *Standing on the Corner Watching All the Girls Go By* (MS-ON)
- 1000 WRNJ** NJ HACKETSTOWN - 9/21 1909 fair with PSA, ID as *WRNJ 1000*, ads for a restaurant and *Valley Fitness Center* (MS-ON)
- 1110 WUHN** MA PITTSFIELD - 9/20 1855 in mess w/ID and mention of *Bennington, Vermont* (HJH-PA)
- 1160 WSKW** ME SKOWHAGAN - 9/19 2020 ID, then - OLD (HJH-PA)
- 1290 KJEF** LA JENNINGS - 9/25 1858 FLK [?? - Ed.] mx, wx forecast for *Piggly-Wiggly*; ID at 1900: *KJEF AM 1290, KJE(M?) FM 50000 watts in Jennings, Louisiana* (JB-TX)
- 1340 KJIV** SD HURON - 9/14 2209 poor with *1340 KJIV* __ ID by female - C&W mx; new (VAL-DX)
- 1370 CFOK** AB WESTLOCK - 9/3 2350 good with EE & Ukrainian mx & spoken word & announcements in both languages but more Ukrainian; seems to be on regular from 2300-2400 (SA-MB)
- 1470 WMMW** CT MERIDEN - 9/21 1935 ID, then - EZL mx on *Stardust 1470* (HJH-PA)
- 1580 WLJ** TN SHELBYVILLE - 9/23 2000 up to fair level, ending twangy C&W, then - ABC Nx (HJH-PA)
- 1600 WIXY** MA EAST LONGMEADOW - 9/21 2000 fair with progressive ROK as *Rock 102* and *WAQY* (HJH-PA)

REPORTERS

- JB-TX JIM BOEHM//San Antonio, TX//CF-2010 + dual tunable audio filter
- JM-PA JOHN MALICKY//Pittsburgh, PA//
- SA-MB SHAWN AXELROD//Winnipeg, MB//R-70 + 100' LW or 3' loop/uncancelled Canadian stamps in unlicked envelope
- VAL-DX SHAWN AXELROD, Wayne McRae & Larry Shewchuk//DXpedition @ Vahalla, MB//R-70 + beverages pointed west and south
- HJH-PA HARRY HAYES//Wilkes-Barre, PA//Superadio + SM-2
- GV-PA GEORGE VANISH//Trucksville, PA//caradio + LW
- MS-ON MORRIS SORENSEN//Scarborough, ON//HQ-150 with McKay-Dymek DA-9 antenna or RF-865 barefoot
- JH-PA JACK HORNER//Lancaster, PA//ICF-2010 barefoot
- Ed.-TX Your Editor//San Marcos, TX//



WMMH-FM, WMYM-AM
P.O. BOX 1027 • MINNOCQUA, WI 54548



73. *ELL*

'Graveyard Achievements

William Hale
734 Burlison
San Marcos, TX 78666-4335

Totals achieved on each graveyard frequency by contributors

1400 kHz

Logged from Jan 1, 1980 to Present

Date of Last Update: Sept 6, 1991

WMSL	AL	Decatur	Joe Fela	Newark, NJ	819
WXAL		Demopolis	Robert Kramer	Chicago, IL	655
WJLD		Fairfield	Doug Smith	Nashville, TN	183
WFPA		Ft. Payne	Russ Edmunds	Parsippany, NJ	769
WJLD		Homewood	Steve Francis	Alcoa, TN	245
WJHO		Opelika	Charles Reh	Leamington, ON	667
AFRN	AK	Tok	Esa Hänninen	Lemmenjoki, Finland	3291
KXIV	AZ	Phoenix	Laurie Boyer	Invercargill, NZ	7400
KRVZ		Springerville	Jim Hilliker	Anaheim, CA	495
KTUC		Tucson	Don Kaskey	Sacramento, CA	740
KVOY		Yuma	Roy Millar	Marysville, WA	1106
KELD	AR	El Dorado	Charles Reh	Leamington	932
KCLA		Pine Bluff	Robert Kramer	Chicago	785
KRE	CA	Berkeley	Eric McIntosh	Invercargill, NZ	7232
KRCQ		Indio	Jim Hilliker	Anaheim	102
KQMS		Redding	Esa Hänninen	Lemmenjoki	4709
KSLY		San Luis Obispo	Gene Nix	Billings, MT	935
KAAP		Santa Paula	Don Kaskey	San Francisco, CA	305
KHOE		Truckee	Roy Millar	Marysville	581
KUKI		Ukiah	Frank Merrill	Nenana, AK	2035
KVIS		Visalia	Frank Merrill	Nenana	2298
KRLN	CO	Canon City	Shawn Axelrod	Winnipeg, MB	863
KDTA		Delta	Shawn Axelrod	Winnipeg	938
KFTM		Ft. Morgan	Olle Alm	Abisko, Sweden	4374
KBZZ		La Junta	Roy Millar	Marysville	1161
KPAG		Pagoosa Springs	Carl Dabelstein	Overland Park, KS	662
WSTC	CT	Stamford	Andy Rugg	Montreal, PQ	305
WILL		Willimantic	Jeff Falconer	Clinton, ON	487
WFTL	FL	Ft. Lauderdale	Bruce Conti	West Warwick, RI	1183
WIRA		Ft. Pierce	UK DXPedition*	Sheigra, Scotland	4093
WNUE		Ft. Walton Beach	Charles Reh	Leamington	833
WERD		Jacksonville	Robert Kramer	Chicago	875
WUEZ		Sanford	Alan Imprescia	New York, NY	922
WPAS		Zephyrhills	Alan Imprescia	New York	1000
WWXX	GA	Alpharetta	Eric Bueneman	Woodstock, GA	18
WCLB		Camilla	Karl Jeter	Stone Mountain, GA	182
WSGC		Elberton	Steve Francis	Alcoa	129
WNEX		Macon	Mike Csorbay	Canfield, ON	774
WMGA		Moultrie	Rich Eddie	St. Louis, MO	660
WSFB		Quitman	Karl Jeter	Stone Mountain	221
WSGA		Savannah	Rick Dau	Oakland, IA	1240
KART	ID	Jerome	Esa Hänninen	Lemmenjoki	4471
KRPL		Moscow	Pete Taylor	San Francisco, CA	688
KIGO		St. Anthony	Shawn Axelrod	Winnipeg	801
KSPT		Sandpoint	Olle Alm	Abisko	4055
WDWS	IL	Champaign	Joe Fela	Newark	741
WGIL		Galesburg	Shawn Axelrod	Winnipeg	726
WEOA	IN	Evansville	Roy Millar	Marysville	1884
WBAT		Marion	Esa Hänninen	Lemmenjoki	4128
KCOG	IA	Centerville	Shawn Axelrod	Winnipeg	614
KVFD		Ft. Dodge	Shawn Axelrod	Winnipeg	544
KVOE	KS	Emporia	Niel Wolfish	Winnipeg, MB	807
			Shawn Axelrod	Winnipeg	(Tie) 807
KAYS		Hays	Olle Alm	Karesuando, Sweden	4443
WCYN	KY	Cynthiana	Carl Dabelstein	Lincoln, NE	650
WIEL		Elizabethtown	Frank Merrill	Toledo, OH	286
WFPR	LA	Hammond	Roy Millar	Marysville	2080
KAOK		Lake Charles	Carl Dabelstein	Lincoln	761
			Bob McCoy	Lincoln, NE	(Tie) 761
KWLA		Many	Robert Kramer	Chicago	795

WRDO	ME	Augusta	Carl Dabelstein	Omaha, NE	1333
WIDE		Biddeford	Rodney Valdron	Petit Rocher, NB	380
WMCS		Machias	Jerry Starr	Youngstown, OH	740
WWIN	MD	Baltimore	Steve Francis	Alcoa	469
WALE	MA	Fall River	Tim Kerfoot	Toronto, ON	450
WLLH		Lawrence	George Walton	Easton, PA	225
WLLH		Lowell	Tim Kerfoot	Toronto	410
WHMP		Northampton	Andy Rugg	Montreal	220
WKNR	MI	Battle Creek	Steve Francis	Alcoa	455
WJLB		Detroit	Bob McCoy	Lincoln	712
WCCY		Houghton	Shawn Axelrod	Winnipeg	473
WGON		Munising	Olle Alm	Abisko	3642
WSAM		Saginaw	Shawn Axelrod	Winnipeg	757
WSJM		St. Joseph	Morris Sorensen	Minton, ON	343
WTCM		Traverse City	Dave Yocis	East Lansing, MI	140
KEYL	MN	Long Prairie	Niel Wolfish	Winnipeg	312
KMHL		Marshall	Roy Millar	Marysville	1291
KEEY		St. Paul	Frank Merrill	Toledo	521
WHLB		Virginia	Olle Alm	Abisko	3695
WBIP	MS	Booneville	Ralph Sperry	Fairfield, CT	902
WJWF		Columbus	Bill Bergadano	Staten Island, NY	896
WFOR		Hattiesburg	Steve Francis	Alcoa	455
WJQS		Jackson	Frank Merrill	Milan, MI	750
KFRU	MO	Columbia	Pete Taylor	San Francisco	1640
KJCF		Festus	Frank Merrill	Holland, OH	424
KSIM		Sikeston	Jerry Starr	Youngstown	605
KGBX		Springfield	Shawn Axelrod	Winnipeg	892
KDRG	MT	Deer Lodge	Esa Hänninen	Lemmenjoki	4203
KXGN		Glendive	Morris Sorensen	Leaf Rapids, MB	570
KARR		Great Falls	Pete Taylor	San Francisco	883
KJJR		Whitefish	Roy Millar	Marysville	381
KBRB	NE	Ainsworth	Morris Sorensen	God's Narrows, MB	935
KCOW		Alliance	Esa Hänninen	Lemmenjoki	4530
KLIN		Lincoln	Esa Hänninen	Lemmenjoki	4321
KBMI	NV	Henderson	Mike Knitter	Rapid City, SD	825
KWNA		Winnemucca	Olle Alm	Abisko, Sweden	4556
WBRL	NH	Berlin	Steve Goozovat	Binghamton, NY	294
WTSL		Hanover	Rodney Valdron	Petit Rocher	425
WOND	NJ	Pleasantville	Steve Whitt	Anglesey, Wales	3335
KMIN	NM	Grants	Tim Hall	San Diego, CA	552
KTRC		Santa Fe	Rick Dau	Oakland	854
KCHS		Truth or Consequences	John Wilkins	Wheat Ridge, CO	466
KTNM		Tucumcari	Jerry Starr	Hubbard, OH	1300
WABY	NY	Albany	UK DXPedition*	Sheigra	3048
WYSL		Buffalo	Pat Hartlage	Louisville, KY	490
WDNY		Dansville	Don Trelford	Scarborough, ON	117
WSLB		Ogdensburg	Charles Reh	Leamington	402
WGBC	NC	Greensboro	John Wilkins	West Des Moines, IA	832
WSIC		Statesville	Russ Edmunds	Kinnelon, NJ	495
WHCC		Waynesville	Steve Francis	Alcoa	60
WSMY		Weldon	Chris Lucas	Ithaca, NY	420
KEYJ	ND	Jamestown	Charles Reh	Leamington	859
WMAN	OH	Mansfield	Bob McCoy	Lincoln	742
WPAY		Portsmouth	Don Lynch	Lynn, MA	679
KWON	OK	Bartlesville	Shawn Axelrod	Winnipeg	910
KTMC		McAlester	John Wilkins	Wheat Ridge	606
KNOR		Norman	Olle Alm	Karesuando	4644
KIVR	OR	Cave Junction	Roy Millar	Marysville	380
KNND		Cottage Grove	Rich Toebe	Pleasanton, CA	393
KJDY		John Day	Olle Alm	Abisko, Sweden	4344
KBCH		Lincoln City	Doug Lamerson	Kane'ohe, HI	2542
WEST	PA	Easton	Charles Reh	Leamington	394
WJET		Erie	Eric McIntosh	Invercargill	9141
			Laurie Boyer	Invercargill	(Tie) 9141
WFEC		Harrisburg	Andy Rugg	Montreal	390
WJAC		Johnstown	Joe Fela	Newark	250
WWSF		Loretto	Steve Francis	Alcoa	434
WKBI		St. Marys	Carl Dabelstein	Omaha	900
WICK		Scranton	Frank Merrill	Milan	408
WRAK		Williamsport	Frank Merrill	Milan	353
WCOS	SC	Columbia	Roy Millar	Marysville	2354
WGTM		Georgetown	Ron Musco	Windsor, CT	700
WKDY		Spartanburg	Robert Kramer	Chicago	580
KBJM	SD	Lemmon	Mike Knitter	Rapid City	133
WJZM	TN	Clarksville	Dave Schmidt	New Castle, DE	670
WHUB		Cookeville	Forest Osborn	Hooker, OK	830

WLSB		Copperhill	Roy Millar	Marysville	2151
WKPT		Kingsport	Russ Edmunds	Parsippany	597
WGAP		Maryville	Shawn Axelrod	Winnipeg	1198
WHAL		Shelbyville	Bill Bergadano	Staten Island	650
KUNO	TX	Corpus Christi	Roy Millar	Marysville	1941
KILE		Galveston	Wayne Heinen	Colorado Springs	872
KGVL		Greenville	Jerry Starr	Hubbard	1025
KIUN		Pecos	Roy Millar	Marysville	1552
KEYE		Perryton	Shawn Axelrod	Winnipeg	947
KVOP		Plainview	Niel Wolfish	Winnipeg	1109
			Shawn Axelrod	Winnipeg	(Tie) 1109
KDWT		Stamford	Roy Millar	Marysville	1558
KTEM		Temple	Roy Millar	Marysville	1751
KVOU		Uvalde	Rich Eddie	St. Louis	847
KSRR	UT	Provo	Olle Alm	Abisko	4513
WDOT	VT	Burlington	Tim Kerfoot	Toronto	310
WINA	VA	Charlottesville	John Wilkins	West Des Moines	844
WHHV		Hillsville	Steve Francis	Alcoa	190
WJMA		Orange	Russ Edmunds	Little Silver	264
WHIH		Portsmouth	Andy Rugg	Montreal	615
WHLF		South Boston	Roy Millar	Marysville	2346
WINC		Winchester	John Wilkins	West Des Moines	827
KLCK	WA	Goldendale	Olle Alm	Abisko	4277
KEDO		Longview	Esa Hänninen	Lemmenjoki	4343
KRSC		Othello	Esa Hänninen	Lemmenjoki	4253
KITZ		Silverdale	Olle Alm	Abisko	4175
KTNT		Tacoma	Don Kaskey	Sacramento	597
WBOY	WV	Clarksburg	Charles Reh	Leamington	229
WRON		Ronceverte	Tim Kerfoot	Toronto	420
WSPZ		Spencer	Andy Rugg	Waterloo, ON	325
WKWK		Wheeling	Esa Hänninen	Lemmenjoki	4054
WBTH		Williamson	Robert Kramer	Chicago	406
WATW	WI	Ashland	Roy Millar	Marysville	1480
WBIZ		Eau Claire	Charles Reh	Leamington	485
WDUZ		Green Bay	Morris Sorensen	God's Narrows	1035
WRJN		Racine	Frank Merrill	Milan	217
WRDB		Reedsburg	Niel Wolfish	Winnipeg	589
			Shawn Axelrod	Winnipeg	(Tie) 589
			Frank Merrill	Toledo	374
WRIG		Wausau	Roy Millar	Marysville	840
KATI	WY	Casper	Olle Alm	Abisko	4188
KODI		Cody	Esa Hänninen	Lemmenjoki	3811
CKSQ	AB	Stettler	Roy Millar	Marysville	494
CFLD	BC	Burns Lake	Tim Hall	Bariff, AB	198
CHNK1		Clearwater	Roy Millar	Marysville	351
CKGR		Golden	Esa Hänninen	Lemmenjoki	4090
CKRP		Princeton	Tim Hall	Bariff	107
CJEK		Sparwood	Morris Sorensen	God's Narrows	200
CBWG	MB	Gillam	Frank Dailey	Preston, CT	390
CIHI	NB	Frederickton	Esa Hänninen	Ristina, Finland	3116
CBG	NF	Gander	Shawn Axelrod	Winnipeg	925
CKCB	ON	Collingwood	Tim Hall	Madawaska, ON	30
CBOD		Maynooth	Sharon Skowera	Enfield, CT	300
CKOB		Renfrew	Morris Sorensen	Emsdale, ON	74
CBEE		Sturgeon Falls	Rodney Valdron	Petit Rocher	350
CKRV	PQ	Drummondville	Charles Reh	Leamington	632
CKFL		Lac Megantic	Esa Hänninen	Espoo, Finland	3583
CJFP		Rivière du Loup	MB DXPedition#	Ames	822
CKRN		Rouyn	Tim Hall	Chula Vista, CA	52
XEPF	BCN	Ensenada	Tim Hall	50mi W of Santiago Ixcuintla, NAY	335
XEI	MICH	Morelia	Tim Hall	20mi SE of Cabo San Lucas, BCS	256
XELH	NAY	Acaponeta	Richard E. Wood	Hilo	3058
XEEX	SIN	Cullacac	UK DXPedition*	Sheigra	4548
PJB2	ATN	Bonaire	Roy Millar	Marysville	7832
2PK	NSW	Parkes			

* UK DXPedition [Steve Whitt, Mark Hattam, Clive Rooms]
MB DXPedition [Shawn Axelrod, Wayne McRae]

GYDXA UPDATE

1240 kHz:					
WSDR	IL	Sterling	MB DXPedition#	Ames, MB	702
KIUL	KS	Garden City	MB DXPedition#	Ames	896



KNSS	Wichita	MB DXPedition#	Ames	894
KFBC	WY Cheyenne	MB DXPedition#	Ames	760

1340 kHz:				
WWPA	Williamsport	MB DXPedition#	Ames, MB	1150

1450 kHz:				
WMBH	MO Joplin	Shawn Axelrod	Winnipeg	(Tie) 905
WDLB	WI Marshfield	Shawn Axelrod	Winnipeg	(Tie) 522
CMJF	CUB C Amancio R	Shawn Axelrod	Orleans, ON	1500

1490 kHz:				
CHVR	ON Arnprior	Shawn Axelrod	Orleans, ON	210

= Shawn Axelrod & Wayne McRae

DX TEST SPECIAL REPORT

This report is from Jerry Coatsworth of Merlin, Ontario. It is a chronicle of Jerry's attempts at logging the stations listed, while they were performing a DX Test for the National Radio Club. All attempts at hearing the tests were made from his home QTH.

Sept 16, 1990. ~~Tillamook, WI~~ ~~WQUN 1410~~ ~~FL~~
Tried via tape, but not heard. Heard WING Dayton and a talk show parallel with WING.

Oct 14, 1990 0500-0600 WFAW 940 Ft. Atkinson, WI
Did not hear WFAW, only a SS news station

Nov 11, 1990 0530-0600 WYSB 1380 Rutland, VT
While setting up the tape recorder at midnight, I heard their test already in progress. I called the given number and talked to a very confused announcer. I think they had 0500 EST confused with 0500 UTC. Sent a report, but never got a QSL.

Nov 11, 1990 0400-0530 WCOP 1350 Warner Robins, GA
Not heard during test, but heard test tones while setting up at 0130. Sent report, they said it wasn't them. WSLR and CKAR also in there.

Nov 12, 1990 0200-0230 WARU 1600 Peru, IN
0230-0300 KRXY 1600 Denver, CO
I set my tape recorder up to tape 22 minutes of each station's test. Unfortunately, a malfunction (possibly human error) left me with nothing.

Nov 16, 1990 0500-0530 KORN 1490 Mitchell, SD
Forgot to try for this one due to the most unusual test time - on a Friday morning!

Nov 25, 1990 0100-0130 KTSL 690 St. Louis, MO
Heard voice announcements and tones. Received QSL with no signer.

Dec 1, 1990 0645-0700 KLER 1300 Orofino, ID
Heard nothing except WERE & WOOD. Possibly listened at wrong time - conflicting times in DX News. Maybe 0745-0800 EST was the proper time.

Dec 2, 1990 0700-0730 KATL 770 Miles City, MT
Nothing heard, only slop from WJR.

Dec 3, 1990 0200-0230 KOJM 610 Havre, MT
Not heard. Only WTUN, possibly CHNC, possibly a C&W station (KDAF or WSLC), also Larry King on WIP and a talk show on WTUN.

Dec 16, 1990 0300-0330 KTIL 1590 Tillamook, OR
Not heard ... only WONX and WAKR.

Dec 17, 1990 0300-0330 KMBI 1330 Spokane, WA
Sweeping tones were heard by Charles Reh and myself from 0300-0313. Sent report but KMBI said it wasn't them.

Jan 14, 1990 0200-0230 KEFL 970 Pueblo, CO
Easily heard code IDs. Sent report and received QSL signed by Mike Landry, O.M. Also heard WDAY Fargo.

Feb 3, 1991 0500-0600 KSOK 1280 Arkansas City, KS
Heard code and voice IDs. Received QSL letter signed by David C. Foster, C.E. Also heard WWOK Evansville.

Feb 10, 1991 0630-0640 WMYM 1570 Minocqua, WI
Nothing heard. Only an oldie station and an ID from WOBS New Albany, IN.

Feb 11, 1991 0000-0100 WABS 780 Arlington, VA
Heard test tones, code and voice IDs. Received QSL letter signed by Bill Ashley, C.E. WBBM also there.

Feb 11, 1991 0401-0500 KOTZ 720 Kotzebuc, AK
Nothing heard...only WGN.

Feb 16, 1991 0445-0515 WLIM 1580 Patchogue, NY
Heard *Star Spangled Banner* at sign-on, then voice and code IDs, and music. Received QSL card signed by George Drake, V.P. CBJ and WKKD also heard.

Feb 18, 1991 0700-0730 KARY 1310 Prosser, WA
Nothing heard. Set timer for wrong time . . . one hour late.

Mar 18, 1991 0400-0430 WNLC 1510 Waterford, CT
Heard tones and code ID. Received QSL letter signed by Stephen Keefe, Station Engineer. WLAC also heard.

Mar 23, 1991 0430-0500 KTGG 1540 Spring Arbor, MI
Nothing heard.

FCC hopes reforms help ailing AM radio

Broader band would lower interference

WASHINGTON — In an effort to save the money-losing business of AM radio, the Federal Communications Commission overhauled its rules Thursday, seeking to reduce both congestion on the dial and the annoying interference it produces.

The new rules will add frequencies, stretching the upper limit of the AM band to 1705 kilohertz from 1605 kilohertz. To receive the new frequencies, consumers will have to buy a new generation of radios, because today's radios go only to 1600.

The new frequencies will be reserved for existing radio stations that are willing to move to a new spot on the dial.

The commission also attempted to reduce interference from stations that are too close together by making it easier for a broadcaster to acquire another station in the same market and shut it down.

Broadcasting executives welcomed the moves, which have been in the works for more than a year, saying they would help reduce in-

terference between adjacent AM stations and strengthen the moribund industry.

But analysts said the long-term prospects for many AM stations remained doubtful, and suggested that today's moves could be last-ditch efforts. The FCC's chairman, Alfred Sikes, called AM radio "very, very sick."

AM radio, the nation's first broadcasting medium, dominated the commercial airwaves for several decades but has been eclipsed by the technical superiority of FM radio. Many AM stations are now in danger of becoming anachronistic curiosities.

More than half of all AM stations are losing money, according to the National Association of Broadcasters. The median station loses about \$11,000 a year, it said. Indeed, the FCC recently reported that 197 AM stations were currently silent, generally because they were unprofitable, and the owners could not attract buyers for their licenses.

In essence, Thursday's actions

are intended to encourage broadcasters to adopt modern technology to strengthen their business. Hundreds of new stations have been licensed over the last decade, as the FCC has sought to promote competition. But as a result, there has been steadily increasing interference.

The purpose of the new frequencies is to reduce overcrowding by allowing existing stations to move to a new uncrowded spot on the dial.

Stations that do so will have to meet tougher technical requirements concerning noise reduction, but they will be separated more widely from other broadcasters, allowing them to broadcast at higher power and with less interference.

It will take several years for stations to begin using the new frequencies because listeners will have to buy new radios. The key factor will be persuading manufacturers of car radios to build units with expanded dials.

Austin American-Statesman

-via Bill Hale (et al)

The DCP-1 Dual controller/Phaser for Remotely-tuned Active Antennae

by Mark Connelly WA1ION (30 JUL 1991)

The DCP-1 Dual Controller / Phaser is designed to tune two varactor-tuned remote active antennae independently and, if desired, combine the signals from each antenna so that phase cancellation of a dominant station or noise source may be effected. As in the case of two-wire phasing units such as the MWDX-4 (see my 1985 article, available as NRC / IRCA reprints), the goal of such cancellation is the reception of desired DX targets normally covered by a dominant station (or electrical noise). Because the phase between the two antennae on the signal to be nulled can be adjusted to 180 degrees (at equal amplitudes) and other signals may be present at different phase and amplitude relationships, nulling of a dominant "pest" need not cause nulling of desired (subdominant) signals. Nulling both pests and DX does sometimes occur - this will be discussed later.

DCP-1 controls and jacks are compatible with the two remotely-tuned antenna systems that I have recently documented: the RTL-1 Remotely-Tuned Loop and the RTU-1/MFJ 1024 Remotely-Tuned Active Whip. Two cables connect the DCP-1 to each active antenna (4 DCP-1 to- antenna cables total). One of these two cables per antenna is the coaxial line which transfers DC power (+12 V nominal) to the antenna and RF output from it. The other cable transfers varactor and bandswitch-relay control voltage to the antenna.

DCP-1 Inputs / Outputs

J1: transfers DC power to, and RF from, active Antenna #1
J2: transfers DC power to, and RF from, active Antenna #2
J3: transfers varactor and relay control to active Ant. #1
J4: transfers varactor and relay control to active Ant. #2
J5: input for local ground
J6: transfers RF from the DCP-1 to the receiver
J7: input for DC power source (+12 volts)

DCP-1 Controls

R1: adjusts amplitude of signal from active Antenna #1
R2: adjusts amplitude of signal from active Antenna #2
R3: adjusts the varactor voltage that tunes Antenna #1
R4: adjusts the varactor voltage that tunes Antenna #2
R5: adjusts the output level of the DCP-1

S1: controls the relays in Antenna #1 and Antenna #2 that select low-band or high-band frequency range
S2: turns DC power to the DCP-1 unit on or off
S3: selects Antenna #1 output, Antenna #2 output, or one of the two null modes (a or b) that combine the Antenna #1 and Antenna #2 outputs
S4: turns the DCP-1's output amplifier on (for extra gain when needed) or off

Using the DCP-1

Refer to Figure 1 and to the block diagram in the appendix.

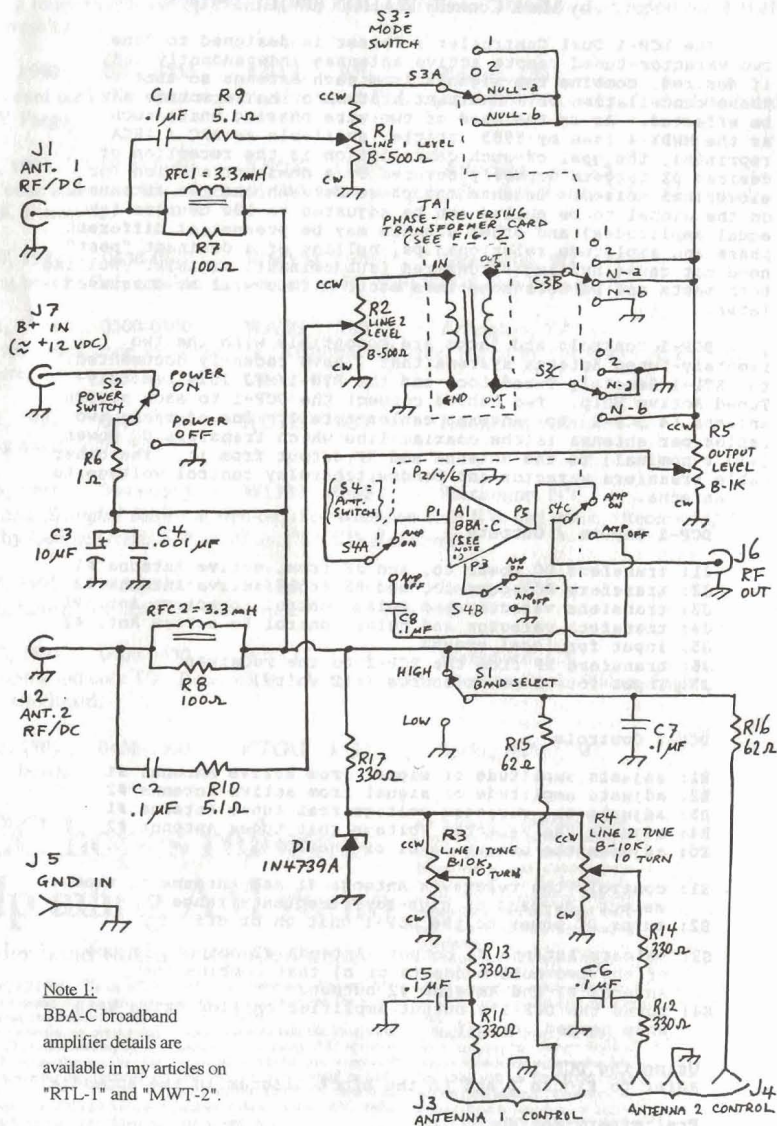
Preliminary Set-up

Connect Antenna #1 to J1 (RF/DC) and to J3 (control).
Connect Antenna #2 to J2 (RF/DC) and to J4 (control). Connect local ground, if desired, to J5. Connect the receiver to J6. Connect DC power (+12V) to J7. Set R1, R2, and R5 fully counterclockwise (CCW) (maximum resistance arm to ground). Ignore, for the moment, the settings of R3, R4, S1, and S3. Set S2 to Power On (up) and set S4 to Amplifier Off (down).

Tune Antenna #1

Set S3 to "1". Adjust R3 for a peak signal on the desired frequency. If a well-defined peak does not occur, or if it is at the CCW or CW end of R3's adjustment range, change the setting of S1 (the band-select switch) and then re-adjust R3 to get the desired peak.

Figure 1 DCP-1 Dual Controller/Phaser Schematic



Note 1:

BBA-C broadband amplifier details are available in my articles on "RTL-1" and "MWT-2".

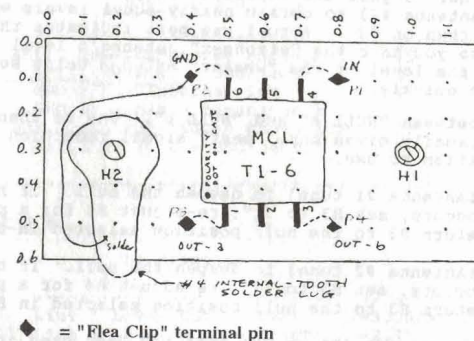
Tune Antenna #2

[Note: Antenna #2 must be tuning-range compatible with Antenna #1 as there is only one band-select switch (S1).] Set S3 to "2". Adjust R4 for a peak signal on the desired frequency.

Phasing with the DCP-1 (Introduction / General Discussion)

Phasing methods are not "cast in concrete"; numerous working strategies exist. When the dominant station to be nulled is approximately equal in strength with S3 on "1" (Antenna #1) and on "2" (Antenna #2), phasing is relatively straightforward. When a substantial difference in "pest"

Figure 2 TAI Phase-Reversing Transformer Card Subassembly (for parts list, see Table 3)



station (or noise) strength exists between the two antennae, methods of nulling become more varied. Suffice it to say, as a DXer gains experience using the DCP-1 for phasing, the correct strategy to set up a given null will become apparent. The goal here is to balance the dominant signal amplitude contributions from each antenna and to establish a 180-degree phase shift to cancel the dominant signal. What can make phasing a bit tricky is that any change in phase (done by detuning one of the antenna's varactors) also changes the amplitude from that antenna. Sometimes, just adjusting tuning will simultaneously set the phase and the amplitude to the correct values to establish a null. More often, the interplay of level pot settings and tuning-voltage pot settings is required to create a null.

Another issue that must be considered is collateral nulling of DX along with "pests". The likelihood of this occurring is much less if an active loop is phased against an active whip than if two whips or two loops are phased. Useful nulls - those that remove pests without killing DX as well - have been obtained using two loops when the loops have been spaced at least 6.6 ft./2m apart and oriented at right angles to each other. For two whip phasing, or for two loop phasing where the two loops are oriented similarly, my experience has been that useful nulls only occur when there is a substantial distance (at least 33 ft./10m - or better yet, upwards of 66 ft./20m) between the two antennae. Furthermore, results are best when a line drawn through the two antennae extends either to the station to be nulled or to the target area of wanted DX. If the line passing through the two antennae is close to perpendicular to the bearings to both the "pest" and the DX, useful nulls are likely to be elusive.

Active phasing of longwires may be implemented in rural areas for high-sensitivity receiving. Using the RTL-1 or RTU-1 equipped MFJ 1024 as longwire tuner-amplifiers is not advised where strong local broadcast stations are present. In the future, higher-dynamic-range remotely-tunable longwire preamplifiers will be designed for better performance in that application. Of course, remotely-tuned longwire vs. remotely-tuned whip (or loop) phasing possibilities also exist, provided that the longwire tuner can operate without objectionable spur-creating overload.

Phasing with the DCP-1 (Sample Phasing Strategy)

1. First perform the "Tune Antenna #1" and "Tune Antenna #2" procedures given previously.
2. Set R1 and R2 about "one hour" (≈ 30 degrees) clockwise from the counterclockwise stop. Then, compare the level of the station (or noise) to be nulled with S3 on "1" (Antenna #1) and on "2" (Antenna #2).

- 3A. If the difference is "slight" (e. g. less than 6 dB), do not bother adjusting R1 or R2 at this time.
- 3B. If one of the antennae is giving a much stronger signal than the other, adjust its amplitude pot (R1 for Antenna #1 or R2 for Antenna #2) to obtain nearly-equal levels with S3 on "1", then on "2". Actual use here indicates that adjusting so you have the "stronger" antenna's level about 3 dB above the level of the "weaker" antenna helps set up a null more quickly.
4. Switch S3 between "NULL-a" and "NULL-b". One of these positions usually gives more "pest" signal reduction. That is the position to use.
5. Adjust R3 (Antenna #1 tune) to deepen the null. If no such deepening occurs, set S3 to "1", re-adjust R3 for a peak, and then return S3 to the null position selected in Step 4.
6. Adjust R4 (Antenna #2 tune) to deepen the null. If no such deepening occurs, set S3 to "2", re-adjust R4 for a peak, and then return S3 to the null position selected in Step 4.
7. Adjust the level pot (R1 or R2) that had been used in Step 3B. If neither pot had been used, start with R1. Adjust for a null. Do the same with the other level pot.
8. By this time, in most cases, a definite null should be established. Keep interactively adjusting the level pot (R1 or R2) and the tuning pot (R3 or R4) that have the most effect until an adequate null (permitting subdominant signal reception) has been established.
9. If the desired DX station (left after nulling) is too weak, switch in the DCP-1's amplifier by setting S4 to Amp. On (up). Amplifier overloading can be managed by adjusting R5.

If the null is too "narrow-banded" (not nulling both sidebands of an AM signal as well as the carrier), set the Q-spoiling switches on the two active antennae to "Low Q" instead of "Normal Q".

To gain experience in using the DCP-1 to phase two remotely-tuned antennae, practice on daytime MW broadcast signals, especially those having a subdominant that, before null attempts, is perceivable behind the dominant station. "Graveyard" channels (1230, 1240, 1340, 1400, 1450, 1490 kHz in North America) are usually prime candidates. Phasing skip signals at night is considerably more difficult, especially above 1 MHz on short-skip where multiple skip modes and rapid changes in arrival angle occur.

DCP-1 Construction Data

Table 1: DCP-1 hole-drilling list

X = Horizontal distance, in inches, from the vertical centerline (VCL) on the side observed. Negative values of X are left of VCL, positive values of X are right of VCL.

Y = Vertical distance, in inches, from the bottom horizontal edge of the side observed.

D = Hole diameter in inches.

Hole loci are first marked on the box with a scribe and are then drilled with a .125" bit. Subsequently, as required, the holes are enlarged to the proper size by using progressively larger bits up to that corresponding to the final desired diameter.

The Broadcaster's Guide to DX

A tri-fold guide for use with reception reports explaining DX'ing, how the NRC was formed, and the importance of QSL's to DX'ers. Versions also available in Spanish and French. US\$1.50 for 20. Available from NRC Publications.

Box = 7" X 5" X 3"

LEFT SIDE

Hole #	Comp. Desig.	Description	X	Y	D
1	J3	Ant.1 control-stereo phonejack	-1.25	1.75	0.375
2	J1	Ant.1 RF / DC - BNC jack	-1.25	0.5	0.375
3	G1	GND H/W - internal lug	0.0	1.125	0.125
4	J5	GND In - black banana jack	0.0	0.5	0.3125
5	J4	Ant.2 control-stereo phonejack	1.25	1.75	0.375
6	J2	Ant.2 RF / DC - BNC jack	1.25	0.5	0.375

TOP SIDE

Hole #	Comp. Desig.	Description	X	Y	D
1	R1	Line 1 Level pot. - tab	-3.0625	3.75	0.144
2	R1	Line 1 Level pot. - shaft	-2.75	3.75	0.3125
3	R2	Line 2 Level pot. - tab	-3.0625	1.25	0.144
4	R2	Line 2 Level pot. - shaft	-2.75	1.25	0.3125
5	G2	GND H/W - internal lug	-1.75	2.5	0.125
6	R3	Line 1 tune pot. - shaft	-1.0	3.75	0.375
7	R4	Line 2 tune pot. - shaft	-1.0	1.25	0.375
8	TA1	PhaseRev.TransformerCard-H/W1	-0.5	2.5	0.125
9	TA1	PhaseRev.TransformerCard-H/W2	0.3	2.5	0.125
10	S1	Band Select switch - shaft	0.5	4.0	0.25
11	S1	Band Select switch - tab	0.5	3.75	0.144
12	S2	Power switch - shaft	0.5	1.0	0.25
13	S2	Power switch - tab	0.5	0.75	0.144
14	S4	Amplifier switch - shaft	2.0	4.0	0.25
15	S4	Amplifier switch - tab	2.0	3.75	0.144
16	S3	Mode switch - shaft	2.0	2.5	0.375
17	S3	Mode switch - tab	2.5	2.5	0.144
18	R5	Output Level pot. - tab	1.6875	1.0	0.144
19	R5	Output Level pot. - shaft	2.0	1.0	0.3125

RIGHT SIDE

Hole #	Comp. Desig.	Description	X	Y	D
1	J7	B+ In - phono jack	0.0	1.75	0.25
2	G3	GND H/W - internal lug	0.0	1.125	0.125
3	J6	RF Out - BNC jack	0.0	0.5	0.375
4	A1	Broadband Amp. Card - H/W 3	0.875	1.625	0.125
5	A1	Broadband Amp. Card - H/W 1	0.875	0.625	0.125
6	A1	Broadband Amp. Card - H/W 4	1.875	1.625	0.125
7	A1	Broadband Amp. Card - H/W 2	1.875	0.625	0.125

Table 2: DCP-1 "upper level" parts list

Vendor codes for this and other parts lists:

MCL = Mini-Circuits / P. O. Box 350166
/ Brooklyn, NY 11235-0003

MOU = Mouser Electronics / 11433 Woodside Ave.
/ Santee, CA 92071
/ Tel. 1-800-346-6873

RS = Radio Shack / Many locations worldwide

Item	Designator	Description/Value	Vendor	Vendor Stock #	QTY
1	-	chassis box 7"X5"X3"	MOU	537-TF-782	1
2	TA1	phase-reversing transformer card	(see Table 3)		
3	A1	BBA-C broadband amplifier card	(see RTL-1 article)		
4	C1,C2,C5-C8	capacitor, 0.1 uF	RS	272-109	6

5	C3	capacitor, 10uF tant.	MOU	581-10M35	1
6	C4	capacitor, 0.001 uF	RS	272-126	1
7	D1	zener diode 1N4739A	MOU	333-1N4739A	1
8	J1,J2,J6	BNC jack	RS	278-105	3
9	J3,J4	stereo headphone jack	RS	272-312	2
10	J5	black banana jack	RS	274-662	1
11	J7	phono jack	RS	274-346	1
12	R1,R2	pot., 500 ohm, linear	MOU	31CR205	2
13	R3,R4	pot., 10K 10-turn	MOU	594-53411103	2
14	R5	pot., 1K, linear	MOU	31CR301	1
15	R6	resistor, 1 ohm	MOU	29SJ500-1.0	1
16	R7,R8	resistor, 100 ohm	RS	274-1311	2
17	R9,R10	resistor, 5.1 ohm	MOU	29SJ500-5.1	2
18	R11-R14,R17	resistor, 330 ohm	RS	271-1315	5
19	R15,R16	resistor, 62 ohm	MOU	29SJ500-62	2
20	RFC1,RFC2	inductor, 3300 uH	MOU	43LH233	2
21	S1,S2	switch, SPDT, on-on	RS	275-326	2
22	S3	switch/3pole/4pos. rotary	MOU	10WW034	1
23	S4	switch, 3PDT, on-on	MOU	10TC280	1
24	for R1-R5, S3	knob	RS	274-416	6

Small hardware items (for G1, G2, G3, A1, TA1)

25	-	screw, 4-40 X .25"	MOU	572-01880	8
26	-	split lockwasher, #4	MOU	572-00649	6
27	-	solder lug, #4	MOU	534-7311	1
28	-	hex nut, 4-40	MOU	572-00486	3

Misc. items: hook-up wire, buss wire, solder, labels "AS REQUIRED"

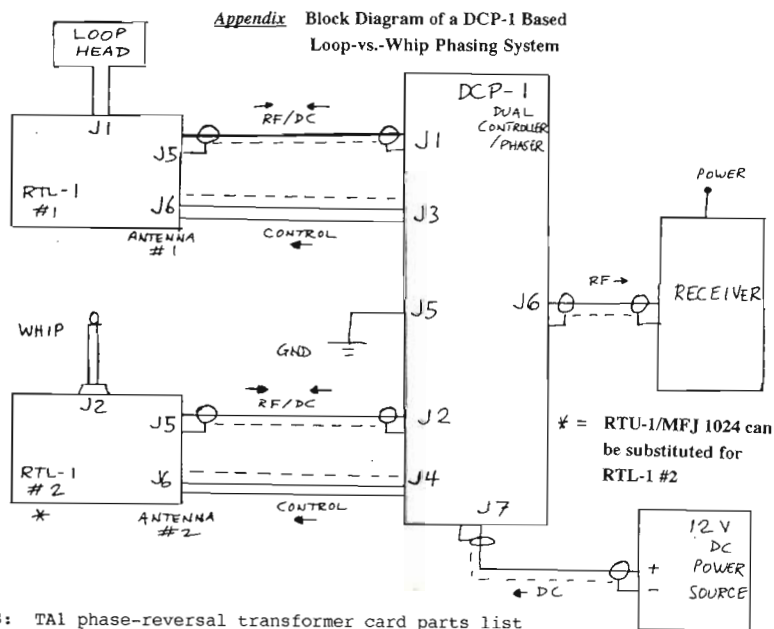


Table 3: TA1 phase-reversal transformer card parts list
Vendor codes per Table 2

Item	Designator	Description/Value	Vendor	Vendor Stock #	QTY
1	-	perfboard(0.6"X1.2")	RS	276-1396 (cut)	1
2	H1,H2	screw, 4-40 X.25"	MOU	572-01880	2
3	H1,H2	spacer, 4-40 X .5"	MOU	534-1450C	2
4	H1	split lockwasher, #4	MOU	572-00649	1
5	H2	solder lug, #4	MOU	534-7311	1
6	P1-P4	flea-clip for .042 hole	MOU	574-T42-1/100	4
7	T1	RF transformer, 1:1	MCL	T1-6-X65	1

Misc. items: buss wire, solder "AS REQUIRED"

College Sports Networks

Rick Dau

Apt. E-9, 401 Emerald St.
Iowa City, IA 52246-3003

Network listings for team sports stations

Well, here it is, the first installment of major college sports networks for the 1991-92 season. I am glad to be able to handle this feature once again this year, and I hope that the response to this column will again be favorable. Without further ado, here are a few affiliate lists for this college football season:

NEBRASKA CORNHUSKERS

Kent Pavelka, Jack Payne

610	KCBR-NE	93.5	KWMB-NE
620	KMHB-IA	94.7	KWEN-NE
690	KOAQ-NE	95.5	KSDW-NE
770	KPLA-CA	96.1	KIOX-NE
840	KWPN-NE	102.9	KBMX-NE
870	KIEV-CA	104.5	KAMI-NE
880	KRVN-NE		
930	KCCA-NE		
940	KVRH-NE		

IOWA HAWKEYES (Palmer Radio Network)
Jim Zabel, Ed Podolak

800	KXIC-IA	1490	KBUR-IA
1040	KHO-IA	1570	KQRS-IA
1180	KWAR-PR	1600	KCRG-IA
1240	KICD-IA		
1270	KWEB-MN	94.5	KMEZ-IA
1300	KOLO-IA	101.7	KITR-IA
1330	KWLO-IA	103.9	KUOO-IA
1360	KSCJ-IA	107.1	KTLR-TX
1370	KDTH-IA		
1420	KOC-IA		

1000	KKIM-MN
1060	KLMO-CO
1110	KFAB-NE
1150	KORY-AZ
1230	KIAY-NV
1240	KHAS-NE
1240	KFOR-NE
1260	KIMB-NE
1280	KONI-NE
1310	KOMT-NE
1330	KPCA-AR
1340	KOPW-NE
	KSID-NE
	KTOO-SD
1370	KAWL-NE
1380	KUVR-NE
1400	KBRB-NE
	KGOW-NE
1410	KELN-NE
1430	KROI-NE
1440	KDNT-TX
1450	KYNT-SD
1590	KTCH-NE

MINNESOTA GOLDEN GOPHERS

Ray Christensen, Paul Flatley

730	KWDA-MN	830	WCCO-MN
790	KWGO-ND		
870	KPRM-MN	92.1	KOWO-MN
960	KLTP-MN	93.5	KSGR-MN
1060	KPIL-MN	94.3	KMSR-MN
1170	KOWO-MN		KDOM-MN
1230	KOMB-MN	95.3	KAGE-MN
1260	KROX-MN	97.5	KPRM-MN
1320	KOZY-MN	101.7	KOLV-MN
1340	KDLM-MN	103.1	KPIL-MN
	KROC-MN	104.9	KWFO-MN
	KWIM-MN	105.1	KARL-MN
1380	KIIZ-MN	105.9	KKWS-MN
1400	KHLB-MN		
1420	KTOB-MN		
1450	KATB-MN		
	KRIN-MN		
	KNSI-MN		
1480	KAMN-MN		
1490	KYPA-MN		
1510	KMSD-SD		
1580	KDCW-MN		

NORTHERN ILLINOIS HUSKIES

1220	WKRS-IL	1600	WCGO-IL
1360	WLEB-IL		WTCV-IL
1460	WLYM-IL		
1490	WZOE-IL	92.1	WFPS-IL
1580	WKRK-IL	95.9	WKKD-IL

Well, there you have it. Thanks goes out to NRC member Bob Straube, SW DXer Tom Gavaras in Minneapolis, my roommate Horace (a resident of DeKalb, Illinois) and the sports information office at the University of Iowa (GO HAWKS!). If any of you out there have network lists at your disposal, or know where you can acquire those lists, please act a.s.a.p. and send 'em to me! Meanwhile, turn on that radio, sit back, and enjoy the game! 73!!

Rick

KWKH RADIO

P.O. BOX 31130
SHREVEPORT, LOUISIANA 71130-1130

The Answer Man

Got a question about radio? Send it to NRC's Answer Man: Russ Edmunds - 753 Valley Rd. Blue Bell, PA 19422-2052. No question is a dumb question, and Russ will answer all, from basic to highly technical. Watch for the answer in DX News!

Radio Roundup

News of radio personalities, of interest to DX'ers

Greetings all ... WCBS-880 Traffic Helicopter Pilot, Neal Busch has a vanity license plate, Choppa88 ... WPGC AM/FM in our nation's capital, has filed with the F.C.C. to become the first In-Band Digital Audio Broadcasting (DAB) in the country ... While on the subject of DAB, CNN's Future Watch program did a very nice piece on DAB's and its role in our commercial broadcasting future ... The Department of Justice and the Federal Communications Commission have signed an agreement detailing who will be responsible for what when dealing with rules violations concerning indecent or obscene programming ... Broadcasting veteran Walter Cronkite, who recently announced that he will not run for re-election on the Board of Directors for CBS, has instead joined the Board of Directors for PBS station WNET-TV ... Former NRCer Geoff Fox, currently weather and science reporter for WTHN Channel 8 in New Haven, has recently received two Emmy Awards for his TV work ... Phil Donahue and Valdimir Pozner will do their Soviet-American nice act on radio during the month of May on radio. They will do a call-in program from 10:30 to 11:30 ELT. They will appear on WGCH, WABC and WICC-FM on a rotating basis ... Paul Harvey has for years been the top radio personality, both in the ratings and, if the grapevine is correct, salary departments. His distinctive style and contributions to broadcasting has netted him yet another award. He has been selected 1991 Golden Windy Award from the Radio Broadcasters of Chicago ... RKO is now out of the broadcasting business, after nearly sixty years, having transferred ownership of San Francisco's KFRC to Bedford Broadcasting ... KRCX in Roseville, California has moved from 1110 to 650 KHz. The station will now run 2500 watts daytime and 5000 watts at night. KCRX will program in Spanish, with English IDs on the hour ... Larry King had some recent competition from his estranged wife, Julie. She substituted for Sally Jesse Raphael on her ABC Talk Radio Show for a week ... The BBC reports that The Voice of the Islamic Revolution in Iraq is broadcasting on 1224 kHz. The frequency is being shared with the Voice of Disavowal from the Polytheists ... St Louis broadcasters are none too pleased with KSHE's activation of the Emergency Broadcasting System, along with morning DJ John Ulett's announcement that the United States was under attack by nuclear weapons. The station

Pete Kemp (KZ1Z)

P. O. Box 73
Bethel, CT 06801--2203

has been fined \$25,000. Needless to say the officials of Emmis Broadcasting were not amused. It took the station two hours to publicly announce its regret at having misinformed the public. The DJ was suspended. In his defense he said he tried to recreate the horror of what it would be like, had such an event taken place. I guess this is the same type of jerk that would yell "fire" in a crowded theater and then complain that his freedom of speech was trampled upon ... Just when you thought that tv sets were the primary root of most radio frequency interference (RFI) get ready for the wireless computer lans. Many companies are currently in this expanding market and with satellite interfacing, we'll really be painted with radio-waves ... Dick Clark's Countdown America has replaced Scott Shannon's Rockin' America on WINK-1600 ... It is interesting to see the recent bump in ratings achieved by many news and news-talk stations all around the country, as a direct result of the Gulf war. Now the all has simmered down a bit, we'll see just how much holding power these stations will exhibit ... National Public Radio's All Things Considered has just celebrated with 20th anniversary. The show is currently aired on over 411 stations ... WERE's Whiz Kids show, with host Jim Mehrling, is now being aired on WEOI too ... KKLD's noted Sports Director Brad Sham, is packing his bags, after 15 years, and traveling across town to WJL, July 1st ... Has anyone else noticed more Boor's music being played on Oldies Stations? Maybe the release of the movie has something to do with it ... if you have a verification from Norfolk's WZAM for night time reception, hold on to it, it's sure to be a classic. The daytime only station has recently been fined for a host of violations, including authorized night time broadcasts, non-functioning EBS (Emergency Broadcast System) equipment, and failing to observe their tower lights visually, after their remote sensing equipment malfunctioned. The F.A.A. was not too pleased with that last violation. During the F.C.C.'s investigation it was also noted that the station failed to have a designated chief engineer ... How safe is it for radio engineering personnel to perform some of their tasks in high radio frequency (RF) areas? Many stations are now taking a look at the ANSI, American National Standards Institute's exposure standards set forth in C95.1-1982 and the F.C.C.'s

Office of Science and Technology Bulletin, #65. Scientists are concerned about the long term effects on humans of such exposure. Initial investigations and experiment's seem to point toward the strong possibility of serious medical problems developing after long term exposure to high RF energy levels ... Looking for an emergency tower? WRXL was faced with that problem, while repairs to made to their antenna system. The chief engineer rented a 300 ton crane to assist in the antenna overhaul. During the process they loaded up the crane boom, putting out a big signal, servicing 85% of their normal coverage area. Great work guys ... The F.C.C. is again raising the specter of a Spectrum Users Fee. Similar plans have been floated before and have always been met with stiff opposition from the National Association of Broadcasters, the American Radio Relay League and others. F.C.C. Chairman Alfred Sikes sees fees ranging from \$3 per year from amateur radio operators, all the way up to the mega-buck range. Observers note that it would cost American Telephone and Telegraph almost \$2 million a year. The F.C.C. is currently looking into what they term under-used frequencies and auctioned them off to commercial interests in the coming years. Sort of like how they took part of the 220 Mhz. band away from the Hams and turned it over to U.P.S. With WARC a year away, vigilance will be the word of the day ... CNN's Robert Weiner, the producer of the initial reports out of the Baghdad, with Shaw, Holiman and Arnett, has signed a book deal, with Doubleday, to share with the public his behind the scenes look at the unfolding of events during the Gulf War. This will surely be the first of many to hit the streets. The videotape market has already bounced upon this market ... Former Detroit pitching ace Denny McLain, currently doing a sports show on WXYT-1270, is being sued by a former golfing buddy. It seems that he mentioned on the air that this individual lost a dozen golf balls the last time they played. Well, his one time golf mate took exception to the comment and, though his lawyer, demanded a retraction. In Denny's own style he went on the air the following day and offered to buy this person a dozen golf balls. The papers are being processed for a court suit, according to the unamused former golf partner ... April 1st always brings out the best of on-air pranks. In the BIG APPLE, many of the FM DJs decided to switch stations for the day. It drove a lot of people crazy on their way to work ... The W5YI Report, stated that a record number of EBS (Emergency Broadcast System) activations occurred during 1990. The 1,410 to be exact, by 192 stations. The situations included flash floods, tornadoes, severe thunderstorms, floods, blizzards, ice storms, power outages,

high winds, chemical explosions, a prison escape, telephone outages, Hurricanes Lily and Gustav, gasoline spills, fires, gas leaks and a railroad chemical spill. The stations received notifications through the NOAA weather radio, EBS decoder/receivers, state or local officials, including fire, police and emergency preparedness personnel. Quite a wide range of activities reflected in this news release ... WCBS's veteran newsman Art Athens has been garnering a number of journalistic awards over the years, UPI Regional Award, 1990 Clarion Award, George Foster Peabody Award, to name a few, has just received the Scripps-Howard Foundation National Journalism Award for 1990. He has been with the station for 16 years ... KCMO's morning man Dave Dawson's partner Jim Moore, has been replaced by local former politician Bill Waris ... From the off-beat humor department, it has been reported that a Kuwaiti radio weatherperson gave the sky conditions as partly smokey ... Curtis and Lisa Sliwa are being very received on their WABC morning show. The station is looking for their weekend replacements. The FCC has finally issued an NOI Notice of Inquiry to look into the EBS, Emergency Broadcast System. This subject is not a new one and in light of the technology available today, the EBS system is very outdated. The current system dates back to days of 640/1240, with the little CD triangles on your broadcast band radio. In 1975 the two tone activation was added. Recent natural disasters have pointed up the weaknesses in the system. One company is promoting the use of an RDS, Radio Data System, alerting on a sub-carrier approach ... NRCers, who also like scanner monitoring, should note that the FCC has issued a Notice of Proposed Rulemaking, NPRM, the use of digital voice emission for encrypting communications between remote pickup stations, mode F3Y. This was done in an effort to help prevent eavesdropping on news stories ... Boston's AM radio leader WBZ has placed 34 year veteran Dave Maynard on the semi-retirement team. He will continue with the station filling in on the air as needed and for station promotional work for the next two years ... Don't forget to listen to the ANARC Net, Sundays at 10:00 a.m. ELT on 7.240 Mhz, for monitoring updates ... If you have information to share, I may be reached via CompuServe, GEnie and Fido telephone BBS services or via KUOL BBS on ham packet ... So much for now.



Radio Waves

News of the industry, of interest to DX'ers

Laura McCusker

c/o WROW - 341 Northern Blvd.
Albany, NY 12204

A little money news to start off the column—from the '91 Radio Financial report, recently released by the NAB, comes some grim news of the biz. More than half of all AM & FM stations lost money in 1990. The break down—fulltime AM's lost about \$11,000, FM's lost about \$15,715, AM/FM combos about \$10,164, and daytimers about \$8,461. Net revenues declined for fulltime AM's an average of 9.5% between '87-'90, FM's decreased 0.9%, combos posted the only gain, up slightly at 2.1%. The cost break down—program and production costs 21.4%, engineering 4.0%, news 4.0%, sales 18.9%, advertising and promotions 9.2%, general and administrative 42.5%. In this weeks edition of "station stories", WOCB/AM & FM west Yarmouth were put out of commission by our August visitor hurricane Bob just as the station was to be sold! Power was lost at 1:30pm 8/19, with the tower collapsing about 4:30pm. All this occurred in the middle of the sale closing, shifting ownership of the stations from US Media Group to Ernie Bock. Estimations are that it will be 3 months before the facility can be rebuilt. The act of nature was not expected to change the stations' sale price of \$600,000... Some industry tidbits—is AC on the rocks? 10 stations in the country dropped the format this past month,

including 3 that shut down. AC is currently the 2nd most popular format in the U.S., being programmed on 1800 stations ... 8% fewer stations program CHR now than last March, down 59 stations, out of 744, in 6 months... From KBR and the K Street Journal—the total number of stations on the air jumped by 20 this past month, with 11 commercial operations and 9 noncomm's joining the fray. Most new commercial stations are Class A drop-ins. The total number of licensed stations now stands at 11,289... On the format front, the latest trends show that News/Talk, Classic Rock, and Religious stations are showing gains, while Urban and Oldies are showing signs of saturation... Did you know that there are only 44 sounds in the English language? If not, turn on the nearest radio and you'll probably be reminded every few minutes... In closing, how many of you static heads picked up on this? In the opening minutes of the new WKRP in Cincinnati, the station was given a frequency! This was never done on the old show. The dial position of the Mighty KRP is 1530 AM. Doesn't this cause problems with WKRP?? Maybe they'll address this dilemma on a future show...

Stay tuned!!

AM Radio Station Maps

by Bill Hale

Complements the NRC AM Radio Log Large type ... maps show location of stations ... easy to keep up-to-date. Only \$9.50, NRC members; \$10.50, Canadian members, \$11.95, non-members. Overseas customers, please write. Order from NRC Publications - Box 164 - Mannsville, NY 13661 or use your credit card (VISA/MC) and call (608) 423-4159.



Musings

of the Members

Dave Schmidt

P. O. Box 11502
Wilmington, DE 19850-1502
Times are local per Muse.

Thoughts from NRC members ... the opinions expressed in this column are those of the individual writer and do not necessarily reflect those of the editors, publishers, or the National Radio Club, Inc.

DON TRELFOED - 3 MUIRBANK BLVD. - SCARBOROUGH, ON M1C 4R8

Time for another Musing and a few explanations on my part. First, I did not go to Jamaica yet, but will be going shortly, probably for a month. I would like to organize a group of DXers (about 5-8) for a week sometime in the fall, so if anyone is interested, contact me. Second, due to several reasons, I was unable to attend the convention, and was disappointed in not being able to make it. The postal strike here disrupted things, only got my DX NEWS on the 11th. Have DXed all summer with varying degrees of success. Veries are real slow in coming in, only 4 in 3 months! Looks like CIAO-790 will move to 530, they have been heard testing there lately. This will free up 790 for DX but CIAM Sudbury will now dominate here as last season they were often o/CIAO. More later. 73's

ERNEST COOPPER - 5 ANTHONY STREET - PROVINCETOWN, MA 02657

Hi! I've been missing from these pages for so long so let me rectify that by beginning with my compliments to Bill Swiger on a fine convention in the hills of WV. It was well attended and a good time was had by all. A few long hold-out veries arrived rather unexpectedly during the summer like from the long defunct WPNT-B20, sent by the PM WPNT with no f/up, WIZA-1450 "The Whiz" heard almost 2 years ago during a great aurora, WWBH-1550 ex-WCCZ and the Caribbean Beacon-1610 verifying my triple report for 3 dates in 12/90 (but one was for a report on 690 so I guess I'll have to try for that again). Here, we are delighting in the fact that WOCB-1240/94.9 have gone dark, but have been sold and will likely be back soon with new calls. With 1240 void of a local during the day, I now get KWON/WTME, the latter new but the report came back - not at the address listed in the '89 NRC Log. WTME relays WKTO-1450 and they give a dual ID at ID time. WRCA-1330 has quit ANING, they lost their AN sports network to WEEL-590. All WEEL's programming is being relayed by WVEI-1440, ex-WFTO and both are all sports, copying NYC's WFAN-660. On 740, WLVG is back on the air with a limited schedule of 0800-1605 weekdays and 0700-1605 Sundays, all black gospel except for USA Network news on the hour. Another report was returned from the PO for WPLJ-95.5, not at the 17th floor, Penn Plaza any more. A little summer DX: 8/22 Larry King going off @ 0158 on 1240 turns out to be a real surprise but unnn., WMMB-FL! Later in the day, the new WVNE-760 logged on RS, Gospel format and strong here: address is 70 James St., Suite 140, Worcester, MA 01603. They're also affiliated with WFIP-1500 and WARY-1590. I'm getting bits & pieces of WVKZ-1240 in the pile early AM's, not yet enough to submit for a verie but I hope I can get a report on that one before WOCB returns. 9/16 & 9/17 found WBAI off, and on the 17th, a fairly strong signal was topping a SS in FF, and this HAS to be Martinique. I don't have any up-to-date international logs, anybody got an address on this one? See you soon again, in DX NEWS & next year in IOWA at the '92 NRC Convention! Forward - March!

JIM WALLACE - 63280 SAND HILL ROAD - BELLAIRE, OH 43906

My brief visit to the convention in Bridgeport inspired me to send in a contribution for the first time in months. It was good seeing many of you at the convention! Sorry I could not stay only for Saturday afternoon but when someone gives you free tickets for a Mountaineers' game, it's hard to pass up the opportunity. For those of you whom I did not talk to at the convention, I no longer work at WWVA. It is unfortunately going the way of many AM stations with big cutbacks. But in WWVA's case, it's not because the station was losing money, but because the owner wanted to cut costs quickly in order to buy more stations! He sold a 40% interest in his Wheeling & Syracuse properties to a group of investment bankers so he got the money. I heard he made a bid to buy WRVA but was outbid. The cuts at WWVA began in the news department and my job as news director was the first one eliminated. I was lucky, though as WV Public Radio wanted my services enough that it created a job for me in cooperation with WV Jesuit College. So I am now the Northern Panhandle Bureau Chief for WVA-PR. I just answered what is probably the last reception report at WWVA, Robert Tiara-NC sent me a f/up to my home after not receiving a reply to a March report sent to the station. But that confirms a fear I had that no one at WWVA would answer reports after I left. I hope all of you who wanted a WWVA verie got one already. Have a good DX season! (I still have your WKEN report here, Jim, and will answer it by the time this hits print-DWS)

JOHN R. MALICKY - 995 SHADYCREST RD - PITTSBURGH, PA 15216

As "Adventures in Good Music" creator Dr. Karl Haus would say to open his program, I now, too, will reply "Hello everyone!" Having just returned from my 9th NRC convention, this year in Bridgeport, WV, I was asked and have now cli-

mbed out of hibernation! Anyway, I am writing this Musing to mark, as of 9/8, my 10th year with the NRC! (I've been in since '64 - 27 years!-DWS) It seems only yesterday that I heard Dave running a DX TEST for the NRC on WCHE-1520, that I called him on that cold February AM and was invited to join. Since then many changes in DX, the club itself & my personal views of things have occurred. Of course, most important has been my meeting many of you at conventions and striking up friendships. It is always good to meet new members at their first conventions and striking up friendships in addition to the regulars. I hope you will find satisfaction from the club as I have. Much of that came from hosting the '90 convention here in Pittsburgh and I'm sure Bill Swiger experienced that this year, great job Bill! My first convention was '81 Rockaway, NJ dated 9/28. My verie count was 694 then, now in the 940's. In '85, before the Portsmouth RI convention, I began my first year of visiting/touring stations before & after the convention. This year I stopped at 28 stations in PA, MD, and most in WV and 2 TV stations in Clarksburg. I hope to write a story in a latter issue. In conclusion, thanks to all of you for your warmth & freindships and that in future years I will continue to grow (as the NRC) and learn more about the wonders of our hobby! Look for WWCS-540 to change to contemporary Christian music soon, as they now s/off at 9PM with few to no local ads during the day. 73's to all! (I remember that call also, John...."Do you belong to a club? You should join....you'll like it!".....then I passed out-hi! DWS)

GERRY THOMAS - 3635 CHASTAIN WAY - PENSACOLA, FL 32504

I had been waiting for this day for over 2 years, the 2 1000 foot spools of wire had been sitting on the shelf above my workbench all that time constantly reminding me of my desire to finally erect a NE beverage. And now the day had finally come, the 2 neighbors whose property I had to cross to reach the 1200 foot stretch of vacant field were BOTH gone for the Labor Day weekend! I suppose I could have asked permission to string a wire across their property but I remembered their reaction when my 250 foot SE LW skirted their backyards, "what if it falls down and my dog gets electrocuted?" Despite my assurances that it was a receiving and not a transmitting antenna, I could still sense their uneasiness at the prospect of having a wire so close to their property. So I knew my chances of hearing "A 1500 foot antenna across my property? Why sure, Gerry, do you need any help" were pretty remote. So I figured the best thing was to bury the wire along lengths of their property until I got to the field then I would have clear sailing for another 1200 feet. But for 2 years, the 2 neighbors never took vacations at the same time UNTIL Labor Day weekend '91. I was up at 5AM Sunday, light just beginning to show E, burdened with 2 spools of wire, a manual grass edger, step ladder and a pocketful of Milkbones for the dogs! The going was slow but I finally had the wire buried behind their houses in a track scratched by the edger and set out through the 1200 feet of blackberry bramble. By 9AM it was done, and I walked back to the house covered with dew, blackberry stickers and blood thinking of the TA's I'd hear this season, maybe even ME or NH! All I had to do was run the wire up to my 2nd floor radio room and I'd be done, but that could wait until after a shower and a bite to eat. Over breakfast, I proudly told my wife & daughter about my early morning exploits and the fantastic DX I expected to hear that night but was received with the usual lowered gaze & sympathetic head shaking I get when I talk to them about DX. Oh well, I don't get excited about new sofas or stuffed animals either so I guess we're even. Anyway, I charged outside to run the wire upstairs just in time to see it disappear around the corner of the fence -- SOMEONE WAS PULLING MY ANTENNA!!! I ran to the end of the fence and came face-to-face with 5 10 year old boys sheepishly holding a huge coil of wire (1500 feet, to be exact!). It seemed like 10 minutes had past before one of them said: "we found it in the woods and just wanted to see were it went". I didn't say anything, in fact, I just stood there. One of the boys laid the coil of wire at my feet, as I stared into the distance. Some time later, my wife came out and led me home. Soooooo....how was your Labor Day weekend? 73's.

MICHAEL HAWK (NWOZY) - 10212 P ST - OMAHA, NE 68127-2130

Just in case any of you read in a recent SWL magazine that I am publishing a Mexican radio log, that was a misunderstanding and has been rectified. The NRC and I are looking for help with a Latin American Log. Info is tough to come by and your help would be appreciated. MW DX is still cut out with FM DX and ham radio taking priority, but some was done late Aug/early Sept. Many thanks go to Todd Brandenburg for all his help with my questions about FM DX. Also, Rick Dau for a short phone chat this summer. Does anyone know when the new 1600-1700 band will start? The FCC continues to drag their feet, which makes me wonder when, if ever, it will start. Remember, Jack Woods & I are always looking for topics/questions for our column. 73's and support Dave's column!

BILL HARDY - 2301 PACIFIC AVE. - ABERDEEN, WA 98520

Dave, your doing a fine job with Musings! (Thanks, Bill, if I can only remember the deadline dates-hi!-DWS) Our family vacationed in AB & BC this summer, the 9th time since 1990. There is a new FIS on 530 in Moses Lake, WA, they call it "Highway Advisory Radio, WNED-2844". In fact, it was tourist info with no construction info and I think there were one to many numbers in the

announced calls. KEYG-1490 is now locally done NOS, ex SMN CW. Two changes in Spokane area radio, KSBN-1230 is BRN "Business Radio 1230", few local ads, ex-KRSS which was silent last year and had been REL. KEYF-1050 is back on their '88 format after a stint of Sat. Ad Con. as KFVR. They dusted off their old nostalgia tapes with "R E Y, Key" slogans right on the tape! No activity from the 740 CP at Dishman or KHDL-630 CP to 840. In AB, CFHC-1450 and relay CFHC1-1340 are now totally separate from CFAA-960 which they relayed at night last year. CFHC is all oldies using Oldies Coast to Coast via satellite at night. KGW-620 aborted its talk format 7/26 and now simulcast KINK-101.9 "Kink 102 FM". To clarify conflicting info on KYJC-610, KYJC was silent last year but returned 4/91. They have been noted running SMN adcon with "Stereo Magic KFMJ-KYJC" slogans. 73's & good DX!

DAVE SCHMIDT - PO BOX 11502 - WILMINGTON, DE 19850

On a local note, WVSJ-1360 is now running 0600-1900 Mon-Fri, 0600-0000 Sat, 0600-1830 Sun, but it changes if they have a late evening/night remote, all due to the poor economy in the area. Worked has picked up once again at this end with trips to various schools/universities in MD/PA/DE and again joining up with WCRL-Roston, MD. WDSC-800 started a 24 hr NSP sked on Labor Day weekend, that's were I was hiding at convention time, and our work with them is completed. Remember, a couple of things which will help me in getting this column together is double spacing your reports, and keeping items as radio related, be it DX or station info which would be of interest to all. Our deadlines are each Saturday. 73's

Order Today!

NRC AM Logbook 1992 Edition

NRC Member Price: \$16.95 US Addresses \$17.95 Canada Addresses

Yes! I want to order the NRC AM
Radio Logbook. Please send me _____
copy(s) of the logbook.

Name _____

Address _____

MAIL this order blank with your check
or money order to: NRC Publications,
P.O. Box 164, Mannsville, NY 13661
NY Residents must add sales tax.

PHONE your credit card order to (608)
423-4159, be prepared to leave your
credit card number, expiration date
and your address if you get the NRC
order machine VISA/MC only,
WI Residents must add sales tax.



Facts About NRC's DX Audio Service

The DX Audio Service provides the ONLY monthly broadcast news cassette service to the DX community. Available to anyone anywhere, it is designed to inform the radio listener in a pleasing and informative manner. Many of the announcers on the service are professional broadcasters giving their free time to give the listener the finest service available.

DXAS was started to provide broadcast information, both AM and FM, to the visually-handicapped DX listener. It has evolved into a service which provides useful material to all types of listeners. Many subscribers listen to the tape to and from their place of work while driving.

One-year subscription, subscriber keeps the cassette each month: \$25. Sample copy and back issues of DXAS: \$3

Cassettes are mailed by First Class mail, on or about the 20th of the month. For information, subscriptions, renewals, sample copies: write to NRC DX Audio Service - P. O. Box 24 - Cambridge, WI 53523-0024. For back issues: NRC Publications.