



# DX NEWS

The magazine of the  
National Radio Club

— SINCE 1933 —

Volume 58, No. 27 - July 1, 1991 (ISSN 0737-1659)

## Inside...

- 2 .. AM Switch
- 3 .. KJLA
- 4 .. DDXD-E
- 8 .. DDXD-W
- 8 .. In the Beginning
- 9 .. Verie Signers
- 10 .. IDXD
- 13 .. Radio Waves
- 14 .. Radio Roundup
- 15 .. The Hawk Loop
- 17 .. FM DXD
- 19 .. Russian FM
- 20 .. Musings
- 23 .. FCC Axes Cable

Remaining DXN Schedule, Vol. 58		
Issue #	Deadline	Pub. Date
28	July 19	July 29
29	Aug. 16	Aug. 26
30	Sept. 13	Sept. 23

*From the publisher ...* Our sympathies to NRC member Laurie Boyer, who lost his beloved wife Rose recently after an extended illness.

For what it's worth, we're experimenting a bit with type fonts and sizes for legibility, as we're using a new printer (Personal LaserWriter LS) which uses outline fonts.

Any contributor or editor who uses an Apple, Macintosh, or any MS-DOS computer to type articles is invited to send them on 5.25" or 3.5" disks (MS-DOS, 3.5" only). MS-DOS users should save in an ASCII format.

**Bridgeport '91 ...** As you read this, you have less than a month to reserve a room at the Holiday Inn (by July 31, not June 30 as I put in the last issue) for the NRC convention August 30-September 1. I've reserved mine! The price is a flat \$58 per room. To reserve, call (304) 842-5411, and be sure that you mention the National Radio Club. The hotel's street address is 100 Lodgeville Rd. Also, if you'd like to pre-register, the basic charge is \$25.00, with \$15.00 extra for the Saturday night banquet and \$9.00 more for the Sunday morning brunch. If you bring a family member who prefers not to register, the charge for use of the hospitality room is \$10 per person. You can either send a check (made out to "National Radio Club") to convention host Bill Swiger at RR 1, Box 152A - Bridgeport, WV 26330-9368 or charge it by calling Mike 'n' Sue Knitter at (608) 423-4159 from 7-11 pm Easter Local Time. If you reach the answering machine, be sure to give your card type, card number, expiration date, name as it appears on the card, total to be charged, and evening telephone number (if they have a question). A number of local festivals will be in full swing during Labor Day weekend, and no in the family should lack for things to do. Oh, yes - Sue says she'll be there, and Laurie Boyer confirmed attendance, also.

*They joined ...* James Brown, Washington, D. C.;

Lester Burzinski, Madison, WI; Al Backalew, Los Angeles, CA; Ted Hay, Watford, ON; Jack Horner, Lancaster, PA; George Phillips, Eagan, MN; Nick Oliviero, Sylmar, CA; and Robert Dixon W8ERD, Powell, OH.

## DXN Schedule, Volume 59

#	Deadline	Pub. Date	#	Deadline	Pub. Date
1.	Sept. 27	Oct. 7	16.	Jan. 17	Jan. 27
2.	Oct. 4	Oct. 14	17.	Jan. 24	Feb. 3
3.	Oct. 11	Oct. 21	18.	Jan. 31	Feb. 10
4.	Oct. 18	Oct. 28	19.	Feb. 7	Feb. 17
5.	Oct. 25	Nov. 4	20.	Feb. 14	Feb. 24
6.	Nov. 1	Nov. 11	21.	Feb. 21	Mar. 2
7.	Nov. 8	Nov. 18	22.	Mar. 6	Mar. 16
8.	Nov. 15	Nov. 25	23.	Mar. 20	Mar. 30
9.	Nov. 22	Dec. 2	24.	Apr. 3	Apr. 13
10.	Nov. 29	Dec. 9	25.	May 1	May 11
11.	Dec. 6	Dec. 16	26.	May 29	June 8
12.	Dec. 13	Dec. 23	27.	June 26	July 6
13.	Dec. 27	Jan. 6	28.	July 24	Aug. 3
14.	Jan. 3	Jan. 13	29.	Aug. 21	Aug. 31
15.	Jan. 10	Jan. 20	30.	Sept. 18	Sept. 28

This schedule is similar to Volume 58 in that it provides for a "skip" week around Christmas, two-week intervals, in March, and four-week intervals from April through September.

## DX Time Machine

### From the Pages of *DX News*

**50 years ago ...** from the June 21, 1941 *DXN*: Canadian member Bill Stone, ex-chairman of the NRC Board of Directors, was with the Canadian Army overseas, somewhere in England.

**25 years ago ...** from the July 16, 1966 *DXN*: WCST-1010 added NRC'er Robert Binaw to its staff.

**10 years ago ...** from the July 6, 1981 *DXN*: Russ Edmunds and Bob Stonier were gearing up the NRC convention for Rockaway, NJ ... Ron Schatz's Cuban station list and map was featured in this issue.

**THE WORLD'S OLDEST AND LARGEST ALL MEDIUM-WAVE DX CLUB**

# AM Switch

**Jerry Starr**

c/o WHOT Radio  
4040 Simon Road  
Youngstown, OH 44512-1320

Status changes in AM stations, supplied by the FCC and NRC members

## CALL LETTER CHANGES

680 *New LA Tioga	KXIZ	
960 CKKX AB Calgary	CFAC*	
990 CHTX PQ Montreal	CKIS	
1140 KLUC NV North Las Vegas	KZZP	
1240 KVSO OK Ardmore	KKAJ	THE CENTER
1420 KBLZ TX Lufkin	KSRK	Suite 450
1460 WJAK TN Jackson	WQCR*	425 2nd St. S.E.
1550 WNJO NJ Toms River	WJRZ	Cedar Rapids, Iowa 52401
1600 WZQB GA Warner Robins	WRCC	

Notes: CKKX-960 was never used, calls remain CFAC. WJAK-1460 first requested WHMO, then set that aside in favor of WQCR.

## APPLICATIONS FOR NEW STATIONS

610 NF Nain: 40/40 U1 (LPRT)

## GRANTS FOR NEW STATIONS

1570 HI Haiku: 1000/1000 U4

## APPLICATIONS FROM EXISTING FACILITIES

1240 KDEC IA Decorah: decrease powers to 580/580 watts  
1520 KFYE MO Camdenon: increase power to 10000 (4000 CH)  
1600 KQRO TX Cuero: decrease power to 260 watts

## GRANTS TO EXISTING FACILITIES

760 WYNE MA Leicester: changes in antenna system  
790 CIAO ON Brampton: to 530 kHz with 1000/250 U1 (this answers our question from last issue, obviously the Toronto TIS on 530 kHz will be moving to a new frequency. This change takes place 10-1-91 when CFJT-530 moves to FM only.  
950 CKBB ON Barrie: night power to 10000 watts  
1010 WXTL FL Jacksonville Beach: city of license to Baldwin, FL with 25000/10000 U4, relocate transmitter site  
1180 WGAB IN Newburgh: decrease power to 675 watts  
1200 WFSF AL Ozark: relocate transmitter site  
1280 WNAM WI Neenah: relocate transmitter site  
1410 WYMB SC Manning: to 920 kHz with 5000/1000 U2, relocate transmitter site  
1450 WDLB WI Marshfield: relocate transmitter site  
1490 KTEL WA Walla Walla: relocate transmitter site

## OTHERNESS

600 KERB TX Kermit: station is SILENT  
800 WDSC SC Dillon: station lost its 600 foot tower in an ice storm and has been SILENT since November, has put up the undamaged tower sections (now 220 feet) and is expected back on the air in July  
CKST BC Langley: has announced plans to swap frequencies with CIGM-1040 kHz Vancouver subject to CRTC's approval, no tentative date has been announced.

900 WBXT OH Canton: silent station has been sold and is expected to return to the air  
920 WMEL FL Melbourne: although this station returns to the air occasionally for test purposes (probably to blow the dust out of the transmitter) they are still SILENT as far as normal programming goes  
WAZQ SC Orangeburg: the license renewal request of this station which has been silent for several years has been denied, opening the door for the move of WYMB Manning to this frequency as noted above  
940 KSWM MO Aurora: station is SILENT pending sale  
1030 WXSS TN Memphis: silent station is back ON THE AIR  
1040 WJOR TN St. Joseph: station is SILENT  
CIGM BC Vancouver: see CKST-800 note above  
1060 WAMT FL Titusville: station is SILENT  
1230 WFOM GA Marietta: station is SILENT  
KBMN MT Bozaman: station is SILENT pending sale  
WIGS NY Gouverneur: silent station is back ON THE AIR  
1240 CIRB PQ Lac Etchemin: the license for this station has been revoked and the call deleted by the CTRC, this station has been SILENT for several years  
1320 KXOL OK Clinton: joins the list of stations simulcasting WWLS-640 kHz  
1340 WDME ME Dover-Foxcroft: station is SILENT, license has been surrendered, delete it from your Log (note that their FM station remains on the air)  
1370 WVAO WV Moundsville: silent station is back ON THE AIR  
1390 KHOB NH Hobbs: silent station is back ON THE AIR  
1400 KHSP TX Texarkana: silent station is back ON THE AIR  
1420 WYUT NY Herkimer: station (along with its FM) is SILENT, reportedly the stations were evicted from their studios while they were still broadcasting  
1460 WQCR TN Jackson: silent station is back ON THE AIR  
1490 WAJF AL Decatur: station is SILENT  
1570 WBUZ NY Fredonia: as of 5-22-91 this station was still on the air, we don't know the date they must conclude operations, has anybody in that area read or heard anything concerning this?

THANKS: Chuck Rader, Dave Schmidt & M Street Journal

73 and Good BX, *Jerry's BK F* Jerry Starr & Buffalo K. Fooman

## KJLA may return

The Kansas City Star  
-via Jeff Lewis

By BARRY GARRON  
TV-Radio Critic

After nearly a year of negotiations and one near-sale, KJLA-AM is on the brink of having a new owner.

Thomas E. Beal, 60, a real estate investor, bought the station for "\$75,000 plus other financial considerations," said Chip Osborn, who has owned the station since 1978. An application to transfer the license was filed Thursday with the Federal Communications Commission.

Beal said he would continue the musical tradition of KJLA, which broadcast hit music of the 1940s, 1950s and 1960s. "Our programming will be music from the best of the big bands, Broadway musical shows, movie themes,

pop vocals and group vocals," he said.

Music for dining will be offered from 6 to 9 p.m., followed by music for dancing from 9 p.m. to 2 a.m. Two-thirds of the selections on the station will be instrumental.

"The station sound will be nice and easy, and we will be heavily involved in Kansas City community affairs," Beal said.

Beal plans to spend nearly \$1 million for a new transmitter and state-of-the-art digital equipment.

The new KJLA will be the fourth Kansas City AM station to broadcast in stereo. Its studio and offices will be in the Beal Building, 8826 Santa Fe Drive, Overland Park.

Generally, it takes 60 to 90 days for FCC approval. Beal said he expected the station to return to

the air by Labor Day weekend.

KJLA was at 1190 on the AM dial until last May, when a fire destroyed the transmitter and took the station off the air. It went on again for a few weeks with a temporary transmitter, but Osborn, unwilling to invest in new equipment, pulled the plug June 15.

Beal was a founder of KBKC-AM (now KBEA-AM) in 1956 and sold the station in 1959.

He said the station's general manager would be Edward W. Sarnow, former general manager of KHOU-FM in Topeka. Beal's wife, Linda, whom he met when she worked as music treasurer at KBKC, will be music program director.

The station will be automated, but Beal plans to hire veteran announcers on a free-lance basis to pre-record messages.

# Domestic DX Digest - East

DX Catches in the Eastern U. S. and Canada, with 24-hr. ELT

**William Hale**  
734 Burleson  
San Marcos, TX 78666-4335

## MEDIUM WAVE RAMBLINGS

- Montreal's 990 drops *HITS*, goes *OLDIES*...details in SPECIAL, below.
- **WELCOME** to new reporter Bob Curtis of Colchester, Vermont, also known as WJEX. We don't hear a lot out of the Green Mountain State. Maybe the trend will change.
- **The Deadline** for Issue 28 is July 13 (a Saturday). Mail early, don't be left out!

## SPECIAL

- 540 **CKWW ON WINDSOR** - now carries the **Toronto Blue Jays** which were dropped by CHYR 710/730 (REH-ON)
- CKWW OK WINDSOR** - 6/9 2000-2100 with **Blue Jays vs Orioles BB**; CKWW is now Windsor's Jays station; good with very little WTAC splash (TS-MI)
- 640 **WWLS OK MOORE** - calls itself *Sportsradio*, along with KXOL-1320 and KXTD-1530 in tow; rarely any local programming (except a few local ads) on 1320 & 1530 (PT-OK) [Phil promises a feature on these guys soon - Ed.]
- 710 **CHYR ON LEAMINGTON** - 6/5 1900-2000 with C&W mx; not carrying tonight's **Blue Jays-Yankees game**; have they left the Jays radio network? Ouch if yes; great signal here and had carried the Jays since 1980 (TS-MI)
- 870 **WLAM ME GORHAM** - 6/6 1340 good with ID, TC and ad for **Maine Mall**; new CLs, ex:WKZN (BC-VT)
- 910 **KVIS OK MIAMI** - 6/5 0035 fair with wall-to-wall country GOS mx until 0059 wx 4cast by male followed by **full info sign-off** (no SSB) by female giving mailing address as in Log and sign-on time as 0700 (not 24 hrs as in Log); ex:KGLC (REH-ON)
- 940 **KTON TX BELTON** - 5/26 1400 back on the air, this time with a **REL** format and simulcasting with their FM on 106.3 [Ed.-TX]
- 990 **CKIS PQ MONTREAL** - 5/24 0600 now **OLDIES**, making switch at this time, this date (DE-PQ) [Thanks, David, for multi-page article from the Montreal *Gazette* covering this format change -Ed.]
- 1180 **WXLA MI DIMONDALE** - 1st heard 6/10 0700-0800 } ...*the new Q-96 FM, Lansing's Mature Choice* with UC; legal ID **WXLA AM 1180 Dimondale, WQHH FM 96.5 Dewitt** (Q-96 is new FM 10 mi. north of Lansing) (TS-MI)
- 1580 **WTKT KY GEORGETOWN** - 5/22 2024 with slogan *Oldies 103, all oldies all the time...we play the greatest hits of the 50s and 60s 24 hours a day on FM 103.1* - ads for **Diet Coke** and **Conrad's Chevy-Geo** in Lexington; ex:WAXU and traditional C&W; KY #140 and 1580 #110 (REH-ON)

## UNIDS AND UNID HELP

- 1610 **UNID ??** - 3/16 0358 and 5/22 2250 with a sermon in EE both times + CLA mx and ballads; on 5/23 hrd ...*we don't have the CBS News as usual due to a baseball game on that network...*; always a severe fade and the signal is very faint @ times...of course this fade always occurs just at the point where something which might help you to ID the station is being said...maybe Anguilla? (LK-ON) [The '91 WRTH mentions nothing of **The Caribbean Beacon** carrying CBS News. Any help from out there? - Ed.]

## DX AND EQUIPMENT TESTS

- 1520 **WHIC KY HARDINSBURG** - 5/3 0545-0549 fair - good with TTs and OC; tones were actually over KOMA at one point (RD-IA)

## TIS AND OTHER STUFF

- 1615 **OR NZ OHURA** - 5/19 0630 poor with "OR" beacon (MBDX)

## MIDNIGHT TO 0800 HOURS ELT

- 920 **CJCH NS HALIFAX** - 5/17 0323 it took me almost 45 minutes to get a positive ID on this one...they were playing mild rock with CFLS coming back strongly from time-to-time; ID'd by CL alone, then w/ad for local Ford dir (LK-ON)
- CFLS PQ LEVIS** - 5/17 0244 FF POP songs of the *Rock Détoné* format; positive CL ID with city; tremendous amount of clutter and a fade to CJCH; we're all thrilled here in the Ottawa area now that CBC AM 920 and 1250 have finally switched over to FM and have stopped announcing the change on those frequencies (LK-ON)
- 940 **KIOA IA DES MOINES** - 5/9 0232 very good with *Rhiannon* by **Fleetwood Mac** - ID *All Oldies, KIOA*; this is a sign that many oldies stations are starting to program more and more music from the mid and late 70s into their formats (RD-IA)
- 1140 **CISS AB CALGARY** - 5/20 0430 strong with **Larry King** pgm, ID as *1140 Kiss AM*; this one fooled us...Larry in Canada?? (MBDX)
- 1200 **WOAI TX SAN ANTONIO** - 5/2 0017-0030 with NBA BKB, *Spurs vs Warriors, NBA Radio Network*; poor, over/under unID (DT-ON) [Don, since WOAI is the flagship of the Spurs, I'm sure **Jay Howard** (Spurs' pbp guy) did not say the *NBA Radio Network*; maybe *Spurs Radio Network*; not to be confused with what popped up this year, *The NBA Radio Network* (I believe a **Westwood One** production), which is doing (has done by the time this hits the streets) all playoff games; better check your tape - Ed.]
- 1230 **WLFH NY LITTLE FALLS** - 5/14 0045-0100 OLD, ID as ...*the Valley, 1230 Little Falls*; poor under WECK & unID with **Mets - Padres** MLB (DT-ON)
- WKBO PA HARRISBURG** - 5/2 0055-0155 with **Sally Jesse Raphael**, CL & wx at 0155; poor, over/under unID (DT-ON)
- 1240 **WEDC IL CHICAGO** - 5/13 0230 good with ID *1240 radio, WEDC Chicago* (RD-IA)
- WMFG MN HIBBING** - 5/20 0436 strong with oldies mx, CLs; not 0700-0100 now (MBDX)
- 1250 **WTAE PA PITTSBURGH** - 5/17 0430 with **Larry King Show**, the an ID *NewsTalk 1250, WTAE*; strong QRM from a BBD/NOS stn; another new one thanks to CBC (LK-ON) [Correct city & state, LK - Ed.]
- 1340 **WMID NJ ATLANTIC CITY** - 5/7 0015-0020 with TalkNet, ID at 0100; poor over/under WLVL/WMBO (DT-ON)
- WMBO NY AUBURN** - 5/7 0015-0020 OLD, *WMBO 1340, Barbra Streisand* tune; over/under WMID/WLVL (DT-ON)
- 1450 **WEZR IN FORT WAYNE** - 5/23 0028-0100 OLD, *WEZR Sports*, BB scores, wx; poor under 2 unIDs (DT-ON)
- WFRG NY ROME** - 5/10 0000-0050 with C&W, ID at 0044 as *96 Frog*, so must be | with FM station; over/under WCTC with TalkNet & unID with **Larry King** (DT-ON)
- 1460 **WMXF NC LAURINBURG** - 6/5 0413 with AC/UC mix and non-ID as *Mix Nine-Six* - promo for the *Mix Nine-Six \$10,000 Mystery Envelope Contest* which included a plug for **Atkinson's Motors** on Bragg Blvd in Fayetteville; ex:WEWO...don't believe this CL change made it to AMS (REH-ON) [My Log reveals **WMXF**. Looking back thru old DXNs, I can't find the AMS item, so it must've been before Volume 58 Issue 8, as have given all the older DXNs away...but since it's in my Log, it had to be in an AMS column sometime - Ed.]
- 1480 **WHBC OH CANTON** - 5/17 0356 with *The Thursday Night Show on WHBC Canton, Ohio* - news; lots of QRM and fade (LK-ON)
- 1490 **WPCI SC GREENVILLE** - 6/5 0400 with end of legal ID followed by BRN Nx and The Ways and Means Committee at 0405 (REH-ON)
- 1520 **KOLM MN ROCHESTER** - 5/3 0142 good with ID *Keep your dial set to your favorite oldies, AM 1520, KOLM*; this may have been a part of a test, as I believe KOLM signs off at LSS (RD-IA)
- 1570 **CFOR ON ORILLIA** - 5/13 0439 fair - good in minimal KCJJ splatter with mention of *Canada's all-night music network* and ID *The Legendary 1570, CFOR* - promo for upcoming tune from **George Michael** (RD-IA)
- 1590 **WONX IL EVANSTON** - 5/3 0600 very good with SS ID *Double awew-oh-en-equis* then one in EE *WONX Evanston-Chicago, the best in Spanish programming*, my 9th logging from a Big Ten city, all that remains is West

**wsm**

WSM, AM-FM  
2644 McGavock Pike  
Nashville, TN 37214  
Phone (615) 889-6595





Lafayette, Indiana's WBAA-920, which might be tough from here (RD-IA)  
[Have you gotten State College, PA, yet?? - Ed.]

### 0800 TO 1600 HOURS ELT

Can you believe the airwaves were dead during this time??

### 1600 TO 2400 HOURS ELT

- 620 **WTMJ** WI MILWAUKEE - 5/1 1940 good with the waning moments of the 19-inning marathon between the Brewers and White Sox, most of which I listened to! (RD-IA)
- 800 **CJBQ** ON BELLEVILLE - 5/22 2222 ad for concert in the Belleville Arena & for (ads for) Belleville stores; ID by city and frequency; lots of clutter (LK-ON)
- 820 **WBAP** TX FORT WORTH - 5/1 2306 very good with Rangers BB at the exact moment Nolan Ryan recorded his 7th no-hitter (RD-IA) [Big deal. He does that all the time, hi - Ed.]
- 870 **WCHU** NY ITHACA - 5/22 2240 with sports scores and talk, CL ID and ID as part of the WFAN Network; strong signal, then faded completely (LK-ON)
- 900 **CJER** PQ SAINT JEROME - 5/10 2227 with promo for a station contest with CLs given several times, all in FF, and ads for local businesses; clear but faint (LK-ON)
- 910 **CKLY** ON LINDSAY - 5/22 2204 positive ID by Playing Central Ontario's favourites, 910 CKLY, then Lay Lady Lay by Bob Dylan; lots of TVI which I tracked down in the same room...I learn something new every session!; again this thanks to CBC (LK-ON)
- 930 **WBEN** NY BUFFALO - 5/22 2155 positive ID as All news radio, WBEN Buffalo; sports scores, then an ad for Hamburg Spring Festival '91; lots of clutter and QRN (LK-ON)
- 1160 **WYNS** PA LEHIGHTON - 5/1 2337-2400 OLD, wx with female anncr; at 2358 WYNS, long version of Dixie, and ...owned and operated by Valley Broadcasting Company; full address over WCCS (for a change!) (DT-ON)
- 1190 **WOWO** IN FORT WAYNE - 4/26 2256 with the All-Night Oldies Party, CL ID; strong, but QRM from CFGO-1200 (LK-ON)
- 1230 **WBZA** NY GLENS FALLS - 5/8 2210-2213 with Mets-Dodgers BB, ID at 2213: WBZA Glens Falls; medium poor to poor with CHSC-1220 splash (DT-ON)
- 1240 **KNEM** MO NEVADA - 5/18 2247 good with end of KC Royals MLB, local ads, & CLs; new (MBDX)
- 1250 **CHWO** ON OAKVILLE - 5/19 2376 poor with talk about Canadian football, local ads; created by CHSM going to mx; new (MBDX)
- CHWO** ON OAKVILLE - 5/22 2113 probably my unID of 5/17 as it was playing 40s BBD mx with a Memories slogan; this time it was under Larry King's Show (is he on 24 hrs/day?) [LK's schedule is 2300-0200 ELT live. Then MBS replays a tape of the show...which makes me wonder who had it on at 2113. Whoa! Maybe somebody carries the audio portion of Larry King Live from CNN. Anybody know? - Ed.] Later the broadcast switched to a Slavic-sounding language; IDD by ads for local Brampton and Toronto stores and the format (LK-ON)
- 1320 **CJMR** ON MISSISSAUGA - 4/25 2240 with end of Blue Jays BB game with positive ID; weak signal fading out after a few minutes (LK-ON)
- 1340 **WDCR** NH HANOVER - 5/15 2202-2227 OLD; 2213 ID You're listening to Great Days, WDCR; OLD, over/under WWP/WLVL (DT-ON)
- WWPA** PA WILLIAMSPORT - 5/15 2220-2233 with OLD, ROK & POP, Little Anthony to Perry Como, ID at 2202 as ...sports, WWPA; poor over/under WDCR/WLVL (DT-ON)
- 1360 **WMOB** AL MOBILE - 5/3 2300 good with ID This is WMOB, Radio 1360, the Christian voice in Mobile (RD-IA)
- WDRC** CT HARTFORD - 5/22 2140 ad for Mitch Ryder concert at the Hartford Civic Center, then ROK mx; I'm sure I had a positive ID on the CLs [Laurence reported WBRX, but there's been no word in AMS about a CL change...maybe WBRX is their FM? - Ed.]; clear reception but faded to CKBC (LK-ON)
- CKBC** NB BATHURST - 5/22 2147 faded up from WDRC (WBRX?), ROK mx w/slogan Radio Atlantic & ID as CKBC Bathurst, New Brunswick (LK-ON)
- 1450 **WHDL** NY OLEAN - 5/9 2055-2200 OLD, ...WHDL...; poor over/under CHUC & possibly WFRA; taken out by WMAJ at 2200 (DT-ON)

- 1410 **WPOF** CT HARTFORD - 4/25 2159 ads for a Middletown furniture store closing, and a local K-Mart, then ABC News with positive ID and ABC Information Network; on cluttered frequency (LK-ON)
- 1460 **CKRB** PQ SAINT GEORGES DE BEAUCE - 5/22 2120 with a phone-in show in FF, with a discussion on the Righteous Brothers, of all things! [I'll bet Bill Medley and Bobby Hatfield would be honored - Ed.]; only a partial ID of CLs as CK-, but it's the only FF language, Québec station listed in Log and the format fits [good enuf for me! -Ed.]; under CJOY with lots of QRN and fade (LK-ON)
- 1490 **WFAD** VT MIDDLEBURY - 5/10 2129 ad for Mr. Goodgrench, the Red Sox game with positive ID at 2130; loads of other stations in background and lots of fading (LK-ON)
- 1500 **WTOP** DC WASHINGTON - 5/10 2238 with Orioles vs M Mariners MLB; positive ID from ad for contest to win free tickets to a game giving the station address; strong with QRN and eventual fade (LK-ON) [Laurence, this is the station you heard, WBAL-1090 is the flagship for the Orioles, and WTOP-1500 is on the net - Ed.]
- 1540 **CHIN** ON TORONTO - 5/22 2132 positive CL ID, playing accordion mx in AA and dedicated in EE ...to Ali, who is having a 53rd birthday...; strong under WPTR which had the Cubs and Mets (LK-ON)
- 1580 **WAMJ** IN SOUTH BEND - 5/3 2148-2205 with White Sox - Red Sox MLB, ID White Sox radio, you are listening to talk, rock WAMJ South Bend, Mishawaka and ???, poor to medium poor (DT-ON) [Is that like medium well?? hi - Ed.]
- WAMJ** IN SOUTH BEND - 5/8 2329 good with ID during White Sox BB: Talk Radio 1580, WMAJ South Bend (RD-IA)
- 1590 **WAIK** IL GALESBURG - 5/1 1637 fair in minimal KCRG splatter with Wake 1590 wx - song by Booker T & The MGs; best daytime WAIK reception ever (RD-IA)
- WZRZ** MS JACKSON - 5/17 2250 fair with AM 1590 and AM 1590 Jackson IDs; lite, easy mx, legal ID at :59:30; over/under KVGB, no KCNN; new and 1st MS for Wayne (MBDX)
- 1600 **WSNX** MI MUSKEGON - 5/10 2231 fair with promo for auto race saturday on your racing station, WSNX (RD-IA)

### REPORTERS

- DE-PQ DAVID EVANS//BROSSARD, PQ//  
PT-OK PHIL TALLMAN//Parcell, OK//  
RD-IA RICK DAU//Iowa City, IA//R-1000 + RW Loop  
MBDX SHAWN AXELROD & WAYNE M'RAE//DXpedition at Hecla Island, Manitoba//ICOM R-70 + various beverages 700 to 2500  
DT-ON DON TRELFOURD//Scarborough, ON//DX-440 + wire//Thanks for the headline, Don!  
LK-ON LAURENCE KEARLEY//Orleans, ON//ICF-SW! + inductive loop  
REH-ON CHARLES REH//Leamington, ON//R-290A + Sansaring Loop + TR-3000 open reel tape recorder  
BC-VT BOB CURTIS, WJEXZ//Colchester, VT//  
TS-MI TOM SANDERS//Davison, MI//ICF-2010

### GYDXA UPDATE

1430 kHz:	WLEC OH Sandusky	Don Trelford	Scarborough, ON	227			
Totals:	1230	1240	1340	1400	1450	1490	Total
CHARLES REH Leamington, ON	63	74	85	66	78	82	448

### ABBREVIATIONS AND SPECIAL SYMBOLS USED IN DDXD-E

|| parallel with or to -to or into :on the hour AA:Arabic AC:Adult Contemporary AP:Associated Press BBD:big band BRN:Business Radio Net C&W:country & western CHR:contemporary hit radio CID:code ID ContChr:contemporary Christian EZL:easy listening E:English FF:French GOS:gospel IRN:Interstate Radio Net j:jingle LSR:local sunrise LSS:local sunset MLE: Major League Baseball mx:music nx:news NPR:National Public Radio OC:open carrier ppp:play-by-play PSRA:pre-sunrise authority PSSA:post-sunset authority QRM:man-made interference QRN:natural interference QTH:location REL:religious ROK:rock 'n' roll RS:regular schedule S:stereo SLD:singing ID SRS:sunrise skip SS:Spanish SW:Star Spangled Banner SRS:sunset skip T-c:time check TT:test tones UC:urban contemporary UPLI:United Press International wx:weather

73, R. W.

# Domestic DX Digest - West

## Wayne Heinen

4131 S. Andes Way  
Aurora, CO 80013  
FIDO NET 104/108  
(303) 699-6335 (prepaid only)

*DX Catches in the Western U. S. and Canada, with 24-hr. ELT*

### SPECIAL!

880 KKMC CA Gonzales  
5/3 0830 Good w/s/on (note new time) Ments power 10k day/1k night..USA Nx.. (CP is ON) (TH-CA)

1470 KRKI CO Estes Park  
Semi local noted sing this call 1st week of June. Same small town format (ex- KSIR) (0W-CO)

1530 KCLR TX Ralls  
5/8 0715 Loud as usual w/KFBK. EE/SS ID's. Station HAD BEEN REPORTED SILENT. (TH-CA)

1600 KRXY CO Lakewood-Denver  
This local has recently dropped "Y-108". New slogan "MX 107.5" with a mix of new and old Top 40. (0W-CO)

### TIS

530 (WNSB415) CA San Ysidro  
5/8-5/31 Station Silent- Probably due to ridiculous new local XETIN-540 (TH-CA)

530 WNAG556 CA Coronado  
5/26 2338 Back on air w/ tape loop, despite XETIN-540 slop (Tim- How do you really feel about XETIN. HI-ed) (TH-CA)

1610 WNUB568 CA Chula Vista  
5/18 0413 Testing w/tape loop. Ments Chula Vista & Chula Vista Chamber of Commerce. Format has TIS and Hi-way info. Gets out poor, covered by Balboa Park TIS. Reg BC to have begun 5/21 but didn't. 1st station licensed to Chula Vista. CA # 229 (TH-CA)

### Contributors

(0W-CO) John Wilkins Winter Wheat, CO / R-1000, 4.238 Anguilla Loop  
(TH-CA) Tim Hall Chula Vista, CA VCF-2010, Radio West Loop

73  
*Wayne*

# Verification Signers

## Wayne Heinen

4131 S. Andes Way  
Aurora, CO 80013  
(303) 699-6335 (prepaid only)

*A listing of verification letter signers, contributed by NRC members*

Freq.	Call	Verie Signer	Contributor				
530	WNV1202	Sandra Watkins Secy Deer Park		1170	WVZNIb	Mark Allen Cood	HH
	CAER/LEPC	710 E.San Augustine, Deer Park, TX 77536		1190	KUIII	Norman J. Phillips E	0W/PT
			SP	1190	KXKSJb	Robert Henry T/E	WH
550	KRAI	Frank Hanel GM	MH2	1200	WECCI	Darrell T. Ellison PA/ID	KG
550	KUSA1	Bill R Schmidt ESu	PT	1200	WBCEI	Jim Baggett M	SD
570	KLIF	Norman J. Philips EM	MH2	1200	WCHBlu	Janice Zavistoski Tr/M	MH2
580	CHLCpu	Camille St-Pierre D	HH	1200	WOPAI	John McGuinness CE	SD
610	WDAFlm	John Collinson CE	MH2	1200	WVSLImbz	Oltn O. Campbell PD	KG/HH
620	WRJZlb	John Hanna GM	HH	1220	KBFTib	Carl Goldman	0W
640	KTIBI	Mane Bergeron M	0W	1240	WNBZl	James Rogers III P/GM	AR
640	WJTZl	Mitch Sandidge CE	HH/RA	1250	WYKMpu	U/U	HH
640	WOlq	David Knippel CE	MH2	1260	WCHVpu	U/U CE	HH
650	KUUYI	Reese Hull CE	MH2	1260	WUUUlz	Joe Norris CE	HH
650	KUUYIbm	Paul Lowrey GM	MH2	1270	KDJJlu	Roy Roberts GM	0W
650	WSMq	U/U	PT	1300	WFXNIb	Don Smith GM	KG
660	WPANel	James D. Seaman CE	MH2	1300	WLIIFq	U/U	KG
670	KWXII	Tom Nichols O	PT	1310	WSSJpu	Pat Delsi GM	HH
670	WIEZl	Dave Supplee CE	RA	1310	WTUXIb	John A. Emerson OpM	KG
680	KKYXlz	Carl Becker PM	PT	1320	WWWTfu	Ed Stokes P/GM	KG
710	KEELI	Reik Benson TD	PT	1340	WOYLmb	Sam Gordon M	KG
710	KGNCI	John J Harrold DoTOPs	PT	1350	CKARpu	U/U	HH
740	CBLqz	U/U	0W	1350	WCOPIzu	Bill Bruton M	KG
740	CHCMI	Russell J. Murphy M	HH/RA	1360	WVSIJbzu	Norm Donohue A	HH
740	KISZIm	Dan Kelley M	0W	1360	WVSIJmz	David W Schmidt (NRC) CE	KG/HH
750	WSBq	U/U	PT	1370	WGCLlu	Thomas R. Hunt GM	KG
760	KCCVI	Jeanne Martin Secy	PT	1420	CJVRlu	Bayne Opseth E	MH2
780	WABSfz	Bill Ashley CE	MH2/RA	1460	KLTCI	Ray David P/GM	SD
790	CFANpu	E. Rogers CE	HH	1467	TWRQz	Jeanne Olson	HH
790	WLKWI	Art Soares PD	KG	1470	KRKIr	Steven R. Coffin GM	0W
800	KHISlu	Scott A. Williams M	0W	1480	WJHBI	Kelly Jae O	KG
810	KSWVlu	Anthony Gonzales PD	0W	1480	WTOYI	U/U P	KG
840	4VECq	Jean VanDervant QSL Secy	HH	1490	KRIBpu	U/U	0W
840	KVEGf	Cameron A. Archibold OpM	WH/0W	1510	KFNnpu	U/U	0W
840	KWPNqu	U/U	WH	1510	WNLCI	Stephen Keefe E	HH
840	WKTRI	Phil Goodwin M	HH	1540	KGBCrz	Mary Sullivan Tr/D	MH2
870	WKZNg	Mark Ericson OpM	KG	1540	WSMlc	U/U	MH2
880	WMEQImz	Michael A. Phillips O/GM	KG	1550	WLXVpu	U/U	HH
910	KPOFI	Barry Blue PD	PT	1570	WBUOI	Bud Walker P/GM	AR/KG
910	KVISI	Gordon Chirillo GM	SD	1580	KKCWl	Robert VanBuhler MoE	SD
910	WABIf	Terrance Syde XMTRSu	MH1	1580	KNIMiz	Mark Rudd MxD	0W
910	WNEZm	Jack Lazare PD	KG	1580	WRDDI	Carl A. Nicklas M	KG
920	CFLBlz	Gilles Pare CE	KG	1590	KVGBlcz	J.D. Staab Nx/Sls	MH2
960	CFPXIzu	Lee Sterry VP	MH2	1600	WBBDpu	U/U AE	HH
960	WRNSlu	Roy F. Sova GM	KG	1600	WXMYI	Robert P. Flanigan VP	KG
980	WWRCI	F. Nuemaker CE	RA	1610	KAf727p	U/U Supt	0W
990	WALEI	Rob Michaels GM/PM	KG	1610	TISpz	Phthp R. Breech Prince William	HH
1000	KFLGib	Art Crane CE	0W	1698	QY VI	Forest Park, BOX 209, Triangle, VA 22172	HH
1050	WEVDq	George B. Levites CE	HH/RA			Bob Sethman O MedFer 3/4w	
1070	WINAlbmz	K. Scott Johnson CE	MH1			Beacon addr: Bob Sethman, 92 Allen Plan, Donora, PA 15033	HH
1080	WPOGI	Larry Wright GM	KG				
1100	KFAKlbmz	Jan Muzzy PD	0W	PT		Phil Tallman	OK
1100	KKLLf	Don Stubbiefeld O/M	KG	0W		John Wilkins	CO
1110	KTEKpbzu	Randy Jordan GM	0W	RA		Ray Arruda	MA
1140	KLUCIbmz	Steven J. Boucher CE	MH2	CD		Skip Dablestein	KS
1140	KNABlb	Bette Bailly GM	0W	SP		Stephen Ponder	TX
1140	KZMQru	W.R. Burkhard CE	0W	0W		John Wilkins	CO
1140	XENIR	Gonzalo Estrada Cruz P	SP	AR		Andy Rugg	PQ
1150	WPAGImz	Monroe P. Bell OpM	KG	HH		Hank Holbrook	MD
1160	KSLq	U/U	PT	KG		Kermit Geary	PA
1160	WOBMfb	Rick St. James EA	MH1	MH1		Mike Harvester	NC
1170	CKGYlb	Cliff Wheeler TSu	0W	MH2		Mike Hawk	NE
1170	WKPEf	Steve Binder AE	HH	WH		Wayne Heinen	CO

# IN THE BEGINNING

BY JOHN D. BOWKER

THIS IS THE COMPLETE LIST OF U. S. BROADCAST STATIONS ON THE INDICATED FREQUENCY AS PUBLISHED BY THE FEDERAL RADIO COMMISSION IN 1934. "S" MEANS SHARED; "SH" MEANS SPECIFIED HOURS; "T" INDICATES TRANSMITTER LOCATION; "D" MEANS DAYTIME OPERATION ONLY; "U" MEANS UNLIMITED TIME.

Frequency (kc)	Call letters	Main studio and transmitter location	Power	Time designation
1020, clear	WRAX KYW	Philadelphia, Pa. Chicago, Ill. T—Bloomingtondale Township.	250 w 10 kw	D-KYW. U.
1030, Canadian exclusive	WESG	Elmira, N.Y.	1 kw	D-KTHS.
1040, clear	WKAR KTHS KRLD	East Lansing, Mich. Hot Springs National Park, Ark. Dallas, Tex.	1 kw 10 kw 10 kw	S.H. S-KRLD. S-KTHS.

- o NRC AM RADIO LOG
- o 1991 Edition

The 1991 NRC Log contains two cross-reference sections and more station information than ever before. Only \$16.95; Canada \$17.95 to U. S./Canadian NRC Subscribers ONLY. \$19.95 to U. S., Non-NRC Subscriber; \$20.95 Canadian Non-NRC Subscriber. Others - please write.  
Mail or Call your order in. Specify your mailing address and number of Logs ordered. Make out check or money order to: NRC. Mail to: NRC Publications - Box 164 - Mannsville, NY 13661 or use your credit card (VISA/MC) and call (608) 423-4159.



# International DX Digest

Foreign DX Catches. Times are UTC; for ELT, subtract 5 hours

This month's contributors prove that spring DX is always lurking in the wings, ready to pounce! Mike Reardon reports in for the first time with some TP DX from California.

By the way, the summer months are a good time to send in some descriptions of any QSLs that you may have received during the past season. I would welcome good copies of QSLs and logos as column fillers.

High levels of solar activity, with northern lights (that means AURORA!), reported on TV news this morning (6/12). Several major solar flares have been reported during the last week. Today's A-index, as reported on WWV (5, 10, 15, 20 MHz Shortwave), is 7B today.

JIM

## TRANS-PACIFIC

1475 MALAYSIA 1215-1230 5/25. In with a good signal with female announcer. At 1215 EE song "Hey There Lonely Girl" by Eddie Holman was played. [MR-CA] (This one is listed on 1476. Mike, how did you determine that this is Malaysia? It could also be NZ, Australia or the USSR - Jim)

1566 unID 1215 5/25. Het heard. South Korea HLAZ? [MR-CA]

## TRANS-ATLANTIC

891 ALGERIA Aigiers 0505 3/26. Fair w/male AA chant. [MC-MA]

1098 CANARY ISLANDS (tent) 0500 3/26. Het. [MC-MA]

1107 SPAIN 0449 3/26. Bits of SS program. [MC-MA]

1575 SPAIN Cordoba 0513 5/4. SS talk, poor in slop. TA cx bad tonight. [MC-MA]

1584 SPAIN 0438 3/26. SS talk, weak. [MC-MA]

## PAN-AMERICAN

540 MEXICO XETIN, Tijuana BCN Returned to the air 5/15 after being off about a week. Signals not quite as huge as before. Still 100% automated, but now airs a few ads. Summer schedule is 1200-0600. [TRH-CA]

**Jim Renfrew**  
61 Wilcox Street  
Rochester, NY 14607-3832

570 MEXICO XEUK, Caborca 0624 5/5 SM. Poor-fair through KLAC with lots of local ads. [TRH-CA]

590 CUBA Reloj 0113 4/15. Mixed w/WEEI. [MC-MA]

600 CUBA 0115 4/15. SS talk mixed w/unID C&W, both weak. [MC-MA]

630 CUBA 0117 4/15. SS talk mixing w/domestics. WQBS (PR) not noted. [MC-MA]

640 unID (Cuba?) 0119 4/15. SS talk mixed w/domestic w/school or minor league BB game. [MC-MA]

700 JAMAICA 0121 4/15. Caribbean EE talk mixed w/WLW. [MC-MA]

710 CUBA 0123 4/15. SS talk (man and woman) LOUD! Blasting WOR away. >>>> 0207 4/19. Noted again at local strength. [MC-MA]

720 NICARAGUA YNACE, Managua 0254 5/10. Many mentions of Managua, similar to BM-NE's report; are these correct calls? [MH-NE] (Yes, according to 91 WRTH - Jim)

760 CUBA Reloj 0125 4/15. Reloj program o/HJAJ/WJR. [MC-MA]

780 VENEZUELA YMIN, R. Coro 0445 5/16. Lively SS tunes and R. Coro IDs. [CV-FL]

810 BAHAMAS (tent) 0129 4/15. Soul/gospel mx u/HJCY. [MC-MA]

810 COLOMBIA HJCY, Bogota 0129 4/15. Good w/CARACOL met ID, o/probable Bahamas. [MC-MA]

830 BELIZE R. Belize 0206-0240 5/10. Very strong w/OLD mx (7 in a row by the Beatles) and many IDs [MH]

840 CUBA 0131 4/15. SS loud, overwhelming WHAS. [MC-MA]

880 CUBA 0136 4/15. SS o/WCBS. [MC]

**VON  
Radio**

NEVIS BROADCASTING CO., LTD  
PO BOX 195 • NEVIS, WI

880 MEXICO XETC, Torreon 1157 5/1. Good w/s/on announcements. This was huge at the beverage site and is an easy catch from home. [TRH]

880 VENEZUELA YVVA, Mundial 880 0514 5/16. Pop SS mx, including SS rap and several "Mundial 880" mentions. [CV-FL]

890 DOMINICAN REPUBLIC HIJP, R. Continental 0328 4/25. Atop WLS w/"R. Continental" jingle, pop SS tunes, and M announcer w/IDs. [CV-FL]

900 CUBA R. Rebelde 0138 4/15. Id o/domestics. [MC-MA]

910 CUBA Reloj 0137 4/15. R. Reloj program mixed w/domestic Toldeo vs. Richmond BB game. [MC-MA]

930 CUBA Reloj 0140 4/15. Reloj in jumble. >>>> 0212 4/19, o/NH and NC domestics. [MC-MA]

940 CUBA Reloj 0214 4/15. o/WKGM preacher. >>>> 0512 5/1, Reloj program w/SS male and female announcers, dominant. [MC-MA]

960 CUBA Reloj 0513 5/1. // 940, o/others. [MC-MA]

970 unID 0556 5/16. Most likely US Virgin Islands on S.E. Beverage w/mellow Caribbean DJ playing dance mx, but faded before I could get a positive ID. [CV-FL]

990 VENEZUELA YVTA, Mundial Tricolor 0610 5/16. SS male w/"Mundial Tricolor" mentions. [CV-FL]

1000 US VIRGIN ISLANDS WVWI, St. Thomas 0628 5/16. Larry King Show, then "Radio One, WVWI, US Virgin Islands" and Mutual nx at 0630. Loud! These guys pack a wallop and would be a good bet for those in need of this country. [CV-FL] (Rarely reported, nice! - Jim)

1100 COLOMBIA Bogota (tent) 0521 5/1. HJCN likely w/Bogota nx and ads, o/WWWE and others. [MC-MA]

1120 CUBA 0152 4/15. "Señal Cinco" program, mention of "desde Habana"; o/u domestics. [MC-MA]

1170 MEXICO XERB, Cozumel 0226 5/11. Fair w/SS talk and ID, some KV00 QRM along w/KKAR-1180 splash. [MH-NE] (famous Baja call letters, but this a different station; shown in 91 WRTH, but not the Mexican List - Jim)

1180 CUBA 0157 4/15. Loud o/WHAM; "R. Pais" (R. Peace) ID. [MC-MA]

1200 CUBA 0232 4/19. Possible R. Rebelde ID, sporting event // 1210, in heavy co-channel QRM. [MC-MA]

1210 CUBA 0233 4/19. Noted u/WOGL w/SS sporting event // 1200. [MC-MA]

1375 ST. PIERRE ET MIQUELON 0440 3/26. Good, w/FF tsik and mx. [MC-MA]

1570 TURKS & CAICDS (tent) 0300-0302 4/19. EE religious talk, hymn noted in QRM mess. [MC-MA]

1610 unID 0331 5/10. SS mx mixing w/the Caribbean Beacon. Any ideas? [MH-NE] (Low power Chile only thing listed in 91 WRTH, - Jim)

## STATION NEWS

ARUBA: The VO Aruba 1320 IDs as "Canal Noventa" when broadcasting // to 89.9 MHz FM. [UKVK/ARC]

COLOMBIA: 1120 Corazon AM (ex LV de Colombia), Bucaramanga. [Play-DX] 1040 HJUB R. Cd. de Pasto now uses 20 kW. [ARC]

COSTA RICA: R. Cordillera (ex-R. Impacto) has been bought by Adventist World Radio. The two MW transmitters will be converted into SW. [DXLC/ARC]

CUBA: Some Cuban MW stations are signing off earlier to save electricity. R. Progreso is off 0500-0900. Most provincial stations go off at 0400 and some local (called municipal) stations sign off at 0100. Arnie Coro, of Radio Habana's "DXers Unlimited" is attempting to get some local stations to play a special EE DX announcement at their sign-off. [Arnie Coro in letter to Harold Sellers in DX Ontario] Why not send Arnie a letter of encouragement!

ECUADOR: 1605 (nom 1600) HCJP2 R. Consular. [ARC]

KUWAIT: 540/1341 R. Kuwait resumed transmissions 3/20/91. 666 R. Kuwait in exile is still here, broadcasting from Damman, Saudi Arabia. [WBI via Comm 4/91 via ARC]

NETHERLANDS: 747/1008 now all night with same program. [QA in ARC]

SOUTH KOREA: 792, since 3/20/91, is no longer KBS, but commercial SBS Radio HLSQ, Seoul Pangsong. [Bill Harms in Seoul via QA/ARC]

**RADIO ANDORRA**  
RADIO NACIONAL D'ANDORRA



**TRINIDAD:** NBS still heard on 620, ex 610. [Play DX/ARC]

**TURKEY:** 225 new 600 kW tx at Van in eastern Turkey was inaugurated 3/7/91, relaying TRT-1. [WBI via Comm 4/91 via ARC]

**USSR:** The presidential decree "On Democratization and Development of TV and Radio Broadcasting in the USSR" of 7/14/90 gave way to the mushrooming of stations which are independent of Gostelradio - though in many cases they employ its technical facilities - and are founded by various state, public, and private structures, even joint ventures with foreign companies. Some of them appeared even before the decree. Here is a more or less complete list of them: 763 R. Nostalgie (0800-1300), 1116 R. Europa Plus (1400-0100), 1197 Moscow University (1600-1800) not yet on air, 1206 R. Ekho Moskvy (1600-1900), 1260 R. SNC Moscow (0400-2400), 1458 R. SNC Leningrad (1100-1500) ... plus FM and SW. [Soviet Broadcasting Newsletter, no. 1, March 1991 via Play-DX 640 4/22/91 via UKVK]

**UNITED KINGDOM:** 1053/1089/1107/1485 BBC R. One is now on 0500-2300. [BE in ARC]

**VENEZUELA:** 880 Puerto Ordaz now broadcasting 24 hrs daily. 1060 R. San Cristobal 24 hrs weekends. 1070 R. El Sol 1000-0300v, then relays main network station Ecos del Torbes or R. San Cristobal until 0400. 1170 R. Acarigua and 1180 R. Maturin until 0500 on Fr and Sa. 1580 R. Occidental 24 hrs daily. Network information: all Mundial network stations now 24 hrs daily. The new Cadena Oriental network (R. Anzoategui and others) are experimenting with network broadcasts. [Rodriguez Lanza - TRN (in Play-DX)]



### How to place orders ...

**By mail:** Write to NRC Publications - P. O. Box 164 - Mannsville, NY 13661-0164. Enclose check or money order; NY residents, add state and local taxes. If ordering by credit card, you may write to NRC - P. O. Box 24 - Cambridge, WI 53523-0024; include information below plus your signature. **By phone:** Call (608) 423-4159 from 7-11 pm ELT. Have ready your VISA/MC information: Card type, number expiration date, name on card, evening telephone number. State and local taxes will be added to WI residents' orders.



### CONTRIBUTORS

- [MH-NE] Mike Hawk KB0GXE, Omaha NE; R-1000, 2' coax loop
- [MC-MA] Mark Connelly WA110N, Billerica MA; ICF-2010, R-600, MJF 1024 whip w/RTU-1 varactor tuner
- [CV-FL] Chris Vito, Davie FL; Sony 2010, Russell Scotka modified Superadio, 1200' ground beverage at 130°, Sanserino Loop
- [MR-CA] Mike Reardon, Goleta CA; Realistic DX-440, Panasonic RF-2200, Select-A-Tenna
- [TRH-CA] Tim Hall, Chula Vista CA; Sony ICF-2010, Radio West Loop

## Radio Waves

Laura McCusker

c/o WROW - 341 Northern Blvd.  
Albany, NY 12204

News of the industry, of interest to DX'ers

...For the first time in 6 years, Arbitron has made good on their threat to delist a radio station for ratings distortion. WWFE-AM will be delisted from the winter '91 Arbitron ratings, and phase 1 & 1I of the spring survey for the Miami/Ft. Lauderdale/Hollywood market, including both printed books and all computer tapes. Spanish formatted WWFE "Radio Fe" asked listeners to fill out ratings booklets "completely with the name of Radio Fe. Make a line in the blank spaces of each page to avoid additions." Delisting means Radio Fe will be "out of commission" until the last 4 weeks in the spring survey period (5/23-6/19). The last time Arbitron delisted a station was in Dec. '85 when WBLI/WQOL Tulsa offered an on-air bribe of \$14.30 for each Arbitron diary brought to the station and for running 2 newspaper ads with the same offer... All NYC FM stations with antennas on the Empire State building are planning a new state-of-the-art antenna to replace the original "master" antenna system installed in the mid '60's. The stations involved will be WARR, WQXR, WBAF, WRAS, WBAI, WBY4, WNEW, WQUN, WQBR, WQTV, & WJLS. Effective height for all will be 1,301' above average terrain. Power will be 0kw for all but WJLS, which will be 4.3kw. Theoretical coverage will remain the same as now, but bandwidth, gain and sound quality should improve... Some industry fall-out from the Gulf War in a 4/24 notice of apparent liability sent to EMMIE Broadcasting's

ASHz-FM St. Louis, the FCC has fined the station \$25,000 for broadcasting a fake warning that the US was under nuclear attack. The warning was aired during AM drive on 1/29/91, about 2 weeks after the outbreak of war. EMMIE has 30 days to officially respond to the notice... Gov. Douglas Wilder of VA recently signed into law a bill to provide a tax credit for TV and radio stations that run public service announcements concerning substance abuse. The legislation provides an income tax credit for the station of 20% of the value of the airtime for each PSA aired between 7am and 1am. Just say no to charity, indeed! The legislation becomes effective July 1st... And in the dollars & cents dept., radio advertising revenue for the first month of 1991 was down nearly 5% over the same period last year. That news from the Radio Advertising Bureau. The drop was credited to the Persian Gulf war and the nationwide economic downturn. The Southwest suffered the worst loss, with a 21.3% drop in national ad revenue, with the west down only 1.3% compared with last January. Local ad revenue was down 3.6% overall, with the strongest showing by the southeast, down .4% from last January's figures....

info sources -  
Radio Week, Radio Business  
Report.

**KRGI**  
AM 1000 FM 99.9

© Box 4907  
Grand Island, NE 68652



# Radio Roundup

News of radio personalities, of interest to DX'ers

## Pete Kemp (KZ1Z)

P. O. Box 73  
Bethel, CT 06801-2203

Greetings all ... With all the recent happenings in the world, high-technology, and its applications to realistic situations, have moved to the forefront in the minds of many. The emphasis on Digital Audio Broadcasting (DAB) will change our hobby a bit, as we approach the year 2000. The National Association of Broadcasters' DAB Task Force will be recommending to the F.C.C. that the European Eureka 147 technology be selected as the standard for our country. Acceptance of such a standard, early in the game, will hopefully keep us out of the "let the market determine the standard" fiasco associated with the stereo-AM methodology a number of years ago. ... NRCers addicted to radio sports programs just may have an edge in getting up to the minute coverage of happenings at the 1992 Summer Olympic Games. It appears that NBC TV is proposing to put a large segment of their programming on a pay-per-view (PPV) basis. Offering three levels of coverage depending on how much sports programming you are able to absorb during this time period. The levels are being referred to as Bronze, Silver and Gold packages, with prices ranging in the ball park from \$100 to \$170 ... WHK has signed a three year deal to carry the Cleveland Browns' games ... It is with great sadness that I report that another 3-letter call sign has been laid to rest. St. Louis' WIL, on the air since 1922, has changed its call to WRTH. I wonder if they realize that it is currently being used by the World Radio Television Handbook, hi. The station has dropped its longtime Country Western format for Hits of the 40's through 60's programming scheme. WIL, with an FM appendage, will remain in the city ... Mike Shannin has moved his act from Kansas City's KCMO to KNHN across town ... The Grand Ole Opry is celebrating its 65th anniversary on the air this year ... Unistar Radio Networks has signed an agreement to provide the Armed Forces Radio and Television Network with a variety of satellite distributed radio feeds, covering the gamut of music, sports and information offerings ... Bruce Owens is the new morning personality on WPAT-AM/FM ... Fellow NRCer Peter Weeks reports that radio life in Canada could be rearranged within the next two years, if a pending proposal gets the go-ahead. Under this working document, CBC-AM and CBC-FM would switch in importance, with FM becoming Radio-One and CBC-AM becoming Radio-Two. The

CBC also proposes taking over the FM frequencies formerly held by the CKO Network. Many popular CBC programs will be changing networks. The possibility exists too, of the CBC creating additional networks to serve the specialized listeners, e.g. narrowcasting ... Vermont's 3,000 watt WFAD has gone off the air, as has its sister station WCM-FM ... Finally, the case of BMI (Broadcast Music Inc.) versus the little people. BMI, together with ASCAP, license music played on radio stations throughout the country. Well, it appears that Ted Strasser's Furniture Store, in little Wolcottville, Indiana has been violating BMI's rules by playing his radio too loudly in his store. You see, since others can overhear the music, he is profiting from the music, according to BMI and its legal beagles. It really is a tempest in a tea pot, as Ted's store rarely has more than six customers at a time. He plays the radio for his own enjoyment and to keep up on what's happening in the community. He contacted BMI to see what could be done. According to the law, he could be fined up to \$100,000 for every BMI licensed song his radio played. The bottom line, he could sign an annual contract for \$600 to listen to his own radio at work, if it were played loudly enough for the customers to hear it. I guess he could wear a walkman-type radio, hi. Although trying to make sales, while wearing headphones, certainly would be a turn off for his customers. I just can't help wondering how many other commercial establishments are playing their radios at work, not knowing that they are in technical violation of the law. Too bad they can't legislate common sense. ... While Rick Dees is pretty happy about the renewal of his TV show, Into the Night, he must be reeling from the Los Angeles Superior Court's decision that he, and KJLH General Manager Wally Clark, must pay out 10.2 million dollars in a breach on contract suit, for their deal with DIR for a radio syndication countdown show that never materialized. ... In Pittsburgh, WEEP has joined in on the radio news simulcasting game, providing an additional voice outlet for WPXI-TV. Other stations currently simulcasting the 6 a.m. and p.m. broadcasts are: WPMV, WBUT, WAZP, WJNS, WPAW and WJFA ... While satellite has been carrying more and more information around the world, it is interesting to note that three new fiber optic cables are currently being laid between the United States and Europe.

Other lines are currently being scheduled for Europe to Asia and Southeast Asia via Africa ... Seems like more and more commercial broadcast stations are getting into the 900 number telephone poll game. Based on the latest news events, some of the recent poll questions on the air have concerned Kitty Kelley and the Kennedy clan's Palm Beach Party problem. From the management's point of view, it must be kind of like taking candy from a baby ... With technology changing so fast, I wonder if, in the future, we'll be able to fax reception reports to stations and to receive QSLs in the same manner? ... Now that Pirate Radio

programming has walked the plank in Los Angeles, Scott Shannon is back in New York, this time promoting Mojo Radio. No one seems to know what it is yet ... From the trivia file, did you know that CBS Newsman Charles Osgood never took a journalism course? He started out on the other side of this in management, at one time running WHCT, the first TV station in Hartford, Connecticut, and the first station in the nation to offer pay per view programming over the air ... On the subject of CBS, Walter Cronkite has announced that he will not run for re-election to the Board of Directors ... So much for now.

## The Hawk Loop ... by Mike Hawk

These are the instructions for a loop that is portable, cheap, and easy to build, even if you are not good with electronics. The instructions include a slight variation on the 1 transistor loop amplifier. The loop by itself has good gain, but is a little weak on the lower ECB frequencies. You may wish to build the loop by itself if you have a preamp with more gain. If not, the amplifier helps out the lower frequencies. There are many variations to this loop, and I will mention them all.

These are the parts needed:

- 1 TWO GANG VARIABLE CAPACITOR (a single gang capacitor will work, but the below fixed capacitor is needed)
- 1 SWITCH-SINGLE POLE SINGLE THROW
- 1 FIXED CAPACITOR 200-400pF (only needed if you have a single gang capacitor, more capacitance may be needed more on this later)
- 55' RG-59 COAX
- 1 WOODEN DOWEL (about 28", 1" diameter or thereabouts)
- SOME WIRE FOR CONNECTIONS
- RG-58 COAX (long enough to reach receiver from antenna) wire of the same length will work
- 1\* SMALL BLOCK OF WOOD (2 or 3" high, sides 4" long)
- 1\* WOOD OR METAL BOX (4 to 6" high, 1' long)

In place of the \*ed parts above, you can use a big block of wood with a hole drilled in the center big enough for the dowel to fit in and be able to rotate. Also, it must weigh enough to support the 55' of coax without it tipping over. This does not look as good, but it saves a couple of dollars.

Take the 55' of coax and cut the shield exactly in the middle (22 1/2'). This should be about an inch long. Cut through the outer covering and the shield, but not the center insulation or center conductor. Next, wind the loop in loops of 17 1/2'. This should come out to be about 11 turns. Use vinyl or electrical tape to hold the loop in place. This tape also works best to fasten it to the dowel. If you used the \*ed parts above, do the following: take the small wood block and drill a hole a bit bigger than the dowel all the way through. Glue or nail this down to the center of the box on the bottom. Also drill a hole the same size directly above the small block.

If you did not use the \*ed parts, do this: drill a hole the size of the dowel and a bit bigger, so it can rotate. Drill it about 3" deep, maybe more, depending on how big your loop of wood is.

No matter which way you did the above, now put two nails in the dowel towards the bottom. Do not put them too low, otherwise the loop will not fit in the hole made for it. These are for connections. Solder the ends of the coax to the nails. Solder a piece of wire to each nail, and the other end to the variable capacitor. Look at the drawing or schematic for the rest of the connections.

All loops made like this will be slightly different in their tuning ranges. Because of this, I will tell you how to fix it if it does not tune the whole band. Tune in a station around 540 kHz. Hook together the two gangs of the capacitor, or add the fixed capacitor if you do not have a two gang capacitor. Adjust the capacitor until it peaks on the station around 540 kHz. If it will not peak, add more capacitance. 100-300 pF should be enough. If it still does not tune that low, add more capacitance. With the recent craze in NDB's, you may want to add more capacitance so the loop can tune to about 510 kHz. Now find a station close to 1600 kHz. Untook the capacitor(s) and/or the other gang. Tune the capacitor to a peak. The plates of the capacitor should be out most of the way. If it doesn't tune this high, it will be necessary to remove a turn from each end of the coax. You do this to keep the break in the shield in the middle. You might want to make it tune 1600 kHz with a lot of room to spare, since the band will be expanding soon.

Now, the instructions for the amplifier.

Parts needed:

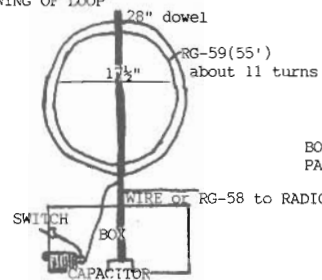
- 4 0.01 mfd capacitors (C1); 100 volts or greater
- 1 100,000 ohm resistor (R1); 1/2 watt or more
- 1 1,000 ohm potentiometer (R2); 1/2 watt or greater (I used a 15 turn cermet potentiometer)
- 1 330 ohm to 1,000 ohm resistor (R3) value depends on the transistor used

**WOR** RADIO  
79 AM



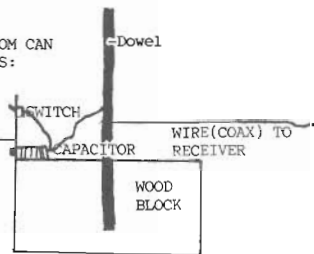
- 1 P type field effect transistor (T1); the original instructions said a Fairchild 2N4360 would work, or something similar. One common similar transistor is 2N2222, which is what I used. The instructions say a N type can be used if you switch the battery terminals. Be sure not to overheat the transistor. See schematic(3) for instructions to build.

DRAWING OF LOOP

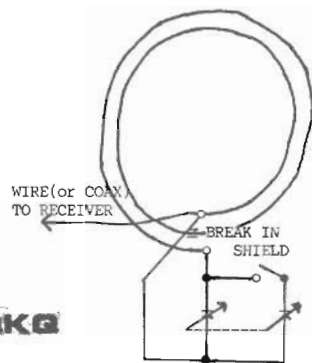


OR THE BOTTOM CAN  
BE LIKE THIS:

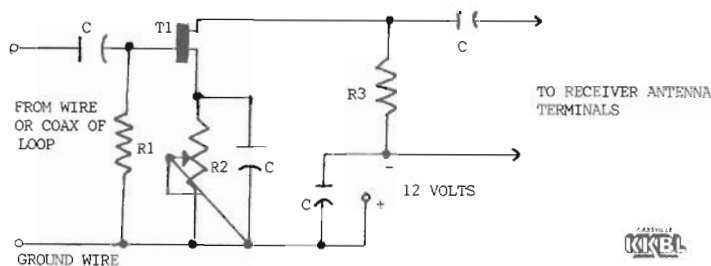
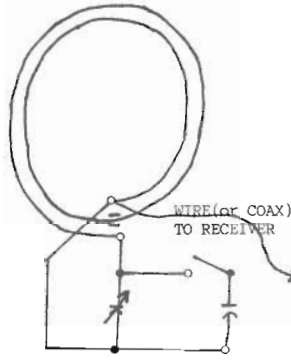
BOARD TO MOUNT  
PARTS ON



SCHEMATIC OF LOOP WITH TWO GANG CAPACITOR



LOOP WITH SINGLE GANG CAPACITOR



The line connecting R2 and the bottom part of C is a little confusing. The arrow on R2 where the connection is is the middle prong of the potentiometer. I also tried building this the way it showed on the original instructions, and this way seems to work a little better, and costs the same.

Many of the parts for both the loop and amplifier can be found in old radios that don't work. The coax costs the most out of the \$35 or so that it will cost to build this (both the loop and amplifier). The parts excluding the variable capacitor cost around \$9 and the variable capacitor costs anywhere from around \$5 to as much as \$25. Any questions can be sent to me.

**Need more information about Medium Wave DX'ing?**  
Mail \$1.00 to NRC Publications - P. O. Box 164 - Mansville, NY 13661-0164; ask for the Reprints Catalog.

**KEXL**  
Stereo

**FM DX** **Todd Brandenburg, KAOKAN**  
9720 NW 31st  
Silver Lake, KS 66539-9403  
**Digest** DX on the FM band, from April through September

- Mike Hawk KB0GXE, 10212 P St., Omaha, NE 68127  
KRRK-93.3 in Bennington will sign on the air July 1, 1991. Their antenna is going to be on 72nd and Crown Point in Omaha at the same site as the WQWT-6 antenna. The studios will be at the Ranch Bowl in Omaha. Bruce McGregor is station manager and will probably be the one to sign verifications.  
Equipment used: Sangean AT-803 and RS-6 element antenna about 25 feet above ground.  
5/14/91 tropo (CDT)  
0648 102.5 KRNOQ IA Des Moines- Q-102 slogan heard between Top40 songs. (Mike, note freq correction)  
0651 101.3 KTR IA Creston- Weak w/ lcl adstalk/etc. Creston Radio slogan used a lot.  
0700 97.3 KDMI IA Des Moines- Fairly strong signal, unlike KRNO/KTR. Had mainly talk.  
0726 90.1 WOI IA Ames- Good w/ CLA music.  
5/26/91 tropo  
0650 105.7 KSUX NE Winnebago- Country mx and K-Sioux slogan. Now 50kW per announcement. Lots of QRM from lcl KKVU-105.9.  
0652 105.3 KGRD NE Orchard- Rel pgm and gospel mx.  
0708 93.1 KKYA SD Yankton- Country mx, wx and KK-93 slogan. SD #1.  
0720 95.3 KOAK IA Red Oak- Farm prices. lcl ads & talk.  
5/28/91 tropo  
0655 97.3 WIBW KS Topeka- Country mx and lcl ads, new watts w/ religious mx, traffic rpt & ID.  
0701 88.5 KLJC MO Kansas City- Strong (although only 1200 watts) w/ religious mx, traffic rpt & ID.  
0703 88.9 KLUM MO Jefferson City- good w/ Power 89 slogan & CHR mx. (Mike, this is more of a UC format as it is run by Lincoln Univ, a local black college.)  
0707 88.1 KJTY KS Topeka- religious pgm, ID. Equal strength on both 88.1 & 88.3, so not sure if they have changed freqs yet (they did so in Sept 89 shortly after the NRC convention here).  
0709 89.1 KWFC MO Springfield- Religious pgm, ID. My first 300 mile tropo catch.  
0711 90.1 KKF MO Kansas City- Weather forecast mentioning record highs across the region.  
0712 91.1 KSMU MO Springfield- lcl mx, mention of things happening on SW MO State campus.  
0714 93.7 KTUF MO Kirksville- ID as 'All hit K-Tough'.  
0717 94.7 KTTS MO Springfield- ID as the radio ranch followed by the KTTS Weather and forecast.  
0720 94.9 KCMO MO Kansas City- Oldies, a little KLDZ-95.1 interference.  
0721 95.5 KAAAN MO Bethany- lcl ads and DJ chit-chat.  
0723 94.5 KRXL MO Kirksville- Non-ID as 'The X' MO #16.  
0724 95.7 KWWR MO Mexico- 'Country 96' slogan, then country mx (of course! - trb).  
0726 98.1 KUDL KS Kansas City- ID then Oldies AC combo of mx. A little KQKQ-98.5 interference.  
0728 98.9 KRVK KS Leavenworth- Non-ID as 'The River' AC mx also heard (add oldies to that - trb).  
0730 99.3 KCLR MO? Many clear IDs as KCLR. Where is this located? I know in MO somewhere because of mentions of Columbia and other towns. (Mike, this is in Boonville, 30 mi west of Columbia, and broadcasts to the Columbia and Jefferson City markets - trb).  
0732 100.3 KDVV KS Topeka- ID and news.  
0734 101.1 KCFX MO Harrisonville- presumed this with many mentions of the Kansas City metro (You're right AKA '101-The Fox' w/ classic rock - trb).  
0735 101.5 KTXR MO Springfield- lcl weather.  
0736 102.1 KYYS MO Kansas City- non-ID as KY-102 (Mike note call correction - sister stn is 610 WDAF).  
0737 102.9 KEZS KS Hutchinson- Country 102.9 non-ID, then country mx.

- 0739 106.9 KEXY MO Jefferson City- CHR mx and ID. (aka Y-107- tbb).  
0741 105.3 KZNN MO Rolla- Country mx and ment of Rolla.  
1124 88.5 KUMR MO Rolla- CLA mx, weak signal.  
5/30/91 tropo  
0700 89.1 KHNE NE Hastings- NPR mx followed by ID. This new stn is on the air (and a regular catch for me - trb).  
0705 98.9 KKPR NE Kearney- Slogan 'The All New Power 99' was used. Is now OLD instead of AOR.  
5/31/91 tropo  
0745 107.9 KZXL KS Great Bend- ID slogan, sports, and AC music. KWPN QRM.  
0800 107.7 KGCR KS Goodland- Christian mx, non-ID as Great Christian Radio, then USA Radio mx.  
0804 106.7 KFXX KS Hugoton- ABC Direction Net mx and non-ID as KFX The Fox.  
0807 105.5 KVSX KS Beloit- lcl ads, mx, and much KFMT QRM.  
0812 104.3 KVGB KS Great Bend- Country mx. Only audible on 104.1 due to KESY-104.5 QRM.  
0820 101.5 KSLB KS Liberal- 'LS Radio' ID slogan after country mx. Ad for a seed company.  
0823 99.5 KHAZ KS Hays- Country mx and ad for a belt-buckle show at the mall in Hays. FM #100.  
0852 97.9 KCLH KS Colby- AC/CHR mx. K-Light slogan.  
0906 95.7 KHUM KS Ottawa- Back to the Bible before 0900, then USA Radio mx at 0900. (These guys moved to KMCI-38's tower near Lawrence so they can penetrate the K.C. market - trb).  
6/1/91 tropo  
0716 104.9 KTCH NE Wayne- Country mx and non-ID as 'The Best country'.  
0723 104.1 KBCM SD Yankton- Country mx and ID. Weather heard later.  
2025 107.3 KYNF NE S. Sioux City- ID 'Western IA's Best and FM 107'.  
6/3/91 tropo  
0759 101.5 KMKF KS Manhattan- AOR then ID as 'K-Rock' real rock radio for Topeka and Manhattan.  
0807 102.9 KBRX NE O'Neill- mentions of lcl happenings, ID, then CWM.  
6/5/91 tropo  
0211 89.7 KUSD SD Vermillion- good w/CLA. Local KIWR on SP, making reception possible.  
2200 107.9 KFMW IA Waterloo- In and out all evening w/ AOR and FM-108 slogan.  
6/8/91 GW  
1423 93.3 KRRK NE Bennington- OC noted 6/8. ROK mx on 6/9, and ROK w/ IDs and live DK & 'K-Rock' slogan on 6/10. Another pest for me.  
6/8 Tropo  
2111 103.3 KDGM IA Pella- good w/AC mx, ID as KDGM Des Moines Pella, then ads. (Mike, they are SUPPOSED to mention city of license first, i.e. KXKT Atlantic/Omahas-C.B. trb).  
2322 103.1 KNDY KS Marysville- Very weak w/ CWM & ID.  
6/9/91 tropo  
0144 101.5 KEEZ? MN Mankato- Z-99 (yes, on 101.5) and Mankato address. Later ID mention South MN and North IA. When did they move? (any takers? - trb).  
0152 102.9 KTIG IA Sioux Rapids- REL pgm. KTFC 103.3.  
0209 88.1-88.5 unID- strange Spanish number transmission. Random SS numbers off and on for 30 minutes.  
0301 89.5 KHCD KS Salina- just in time to hear the end of an ID, then CLA mx (90.1-KHCC Hutchinson - trb).  
0318 92.1 KUEL IA Ft. Dodge- Cool 92 slogan and OLD mx, so change your logs.  
0400 105.7 KOKZ IA Waterloo- ID then mx.  
6/9 MS  
0204 88.1 unID- 4 second burst w/ CLA mx.



## 6111 Tropo or Aurora

0157 88.3 KESD SD Brookings-CLA. mx. and SD Public Radio ID.  
0257 88.1 KRSD SD Sioux Falls-CLA mx via APR then ID  
0300 89.7 unID-CLA mx //KRSD 88.1. Probably MN  
Mike, aurora has a very raspy sound which makes voices very hard to understand.

Rick Dau, 401 Emerald St #9, Iowa City, IA 52246  
Equipment: home stereo + dipole

## 5/18/91 tropo

2113 99.9 KAUS MN Austin-weak w/mnt of Hwy 14 and southern MN in ads, catch made tough due to next-door neighbor KPMH 99Plus.

## 5/26/91 tropo

0038 106.3 WWQM WI Madison-fair w/ CWM then ID: 'Madison's Country, Q106FM'.

0105 104.1 WZEE WI Madison-remixed version of Springsteen's 'Dancing In The Dark', then ID: 'The New Z104.1'.

0130 102.7 unID- good w/mnt of 'Bloomington/Normal's Home of Rock'n'Roll'. Is this a new stn, or did someone move here? (Rick, my guess is WJEG-Macomb, IL. Anyone else care to guess? -trb)

## 5/28/91 tropo

0200 94.5 KRXL MO Kirksville- good w/ID 'You're tuned to the X, 94.5 KRXL Kirksville' followed by a Bryan Adams song

5/30/91 93.7 KTUF MO Kirksville- ID as 'K-Tuf 93, KTUF Kirksville' then into nx (note freq correction- trb)

Russ Edmunds WBZB/JH 753 Valley Rd, Blue Bell, PA 19422 Nissan car radio + standard whip.

## Local stuff:

91.7 WBMR PA Telford- Still not on RS, and not hrd testing in past few weeks

88.1 WTNJ NJ Trenton- Is now on RS, but contrary to newspaper accts, running OLD, progressive rock and jazz in addition to talk, and they're on later than reported 2200 ELT signoff

## 5/23/91 tropo

0759 88.9 WFRS NY Smithtown- Hrd w/Family Radio pgm up to 0759 ID.

5/29/91

1920 89.1 unID- heard w/ pgm 'Unshackled' via Pacific Mission, but unable to ID.

## 6/2/91 tropo

1015 97.7 WRTP PA Reading (translator)- finally able to pull this out by // w/90.1, thanks to minimal splash from WPST-97.5, w/ jazz.

## 6/3/91 tropo

0655 92.9 WFOG VA Suffolk- Late mx, traffic rpt, 'The Fog' and full ID at 0655 o/u WMGS.

Morris Sorensen, 29 Janet Blvd, Scarborough, ON M1R 1H7

On May 21, I noted new stn CJFT-FM 101.1 with a weak but clear signal here in Scarborough. They were simulcasting w/ CJFT-530 Fort Erie with no mention of calls or city of license, just a generic FM-101 with frequent mention of the Niagara frontier and ads for Niagara Falls, Buffalo, Willard and other cities near the border. Format is NOS/EZL

Locally Toronto is to get a new CWM stn on 92.5 Haven't heard about calls or target date. 99.1 is still silent since CKO's demise in late 1989.

Up in Ottawa, CHUO owned by the Univ. of Ottawa signed on 89.1 recently. FM Atlas lists the call incorrectly as CFUO. I haven't heard them, but I believe they are bilingual: English and French with some relays of Radio France International in Paris 73's.

Ernest Cooper, 5 Anthony St, Provincetown, MA 02657  
Equipment: Realistic STA-52, McIntosh MR-78 and 9 element rooftop rotor antenna.

Not much excitement yet on the FM band- only one sign of E-skip here, on May 29, to which I was alerted by my good friend Joe Fela. I found someone on 103.1 @ 1918-1930 relaying the sound of Dallas TV-8, but faded out by ID time. Then I went to one of my favorite freqs, 92.1, and came up with KCMA, Broken Arrow, OK, with short classical pieces and mention of Tulsa, 1953-2021 In and out w/ them was KARQ Ashdown AR, 'Country 92' to 2035

Right at 2000 came a fine clear ID from '92.1 FM, WBTR, Carrollton (GA) B-92'. Then I wasted most of an hour trying to ID 'The all new Star 94.3' only to find it is semi-icl WYJY under its new slogan and seldom-mentioned calls, but a report sent anyway to these four stns. An early morning session on 530 turned up unus WJL-K-94.3 NJ and WBR5-100.1 MH, the latter a 25 watt owned by Brandeis Univ, with a pgm of disgusting four-letter 'humor' which doesn't speak very well for that college. The early morn of 6/10 I noted a 'Joy FM' on 107.7 with the antenna pointed NE. I recalled this is the slogan of WJYY-105.5, and switched to that freq and found the programming parallel to 107.7, so apparently WRCL-NH is relaying WJYY, at least during the wee hours. Unn WDRE-92.7 was strong @ 0249, carrying NYC ads. Total FM varies here. 597, 37 states, 5 provinces. If you catch WOMR-91.9, send your reports to my attention & you'll get your vene-if your report is correct, that is. If you catch WOMR during my air shifts, (Sat 1000-1200 & Mon 1245-1700) I'll throw in a bumper sticker!

Forward- March!

Mike Riordan, PO Box 1195, Goleta, CA 93116

Equipment: Panasonic RF-2200 w/ built-in whip

## 6/12/91 E-skip

0955 91.5 unID calls- ment of temps for various cities in NM. Then ann said 'Here in Albuquerque 80 degrees', then into rel pgms (call is KFLQ- trb)

0915-1000 92.9 unID calls- AC format. Call slogans 'Star 93'. Female DJ said Frank Sinatra is coming to Texas and is coming to San Antonio in the S.A. Civic Center (KITV San Antonio- trb)

0915-1000 93.1 KTRZ- no city heard, mentions NM a lot. Clobbering usual dominant KODJ- Los Angeles. Format is AC. (I can't find it in my stuff. Could someone else help? -trb)

0915-1000 93.3 KBAT (TX Midland- trb)- no city or state ID caught. Fluctuating in and out w/KBOF. Time given as '5 minutes before 12' (Central)

0915-1000 93.3 KBOF- AC format, ment of NM, no city ID caught (Mike, I think you got Kkob-FM Albuquerque, which uses 'KOB-FM' for a slogan)

Bill Nienajadly, PO Box 2999, Clifton, NJ 07015

Superadio, Pioneer TX-9800 after 5/25 mod to the max, RS 6-element at 80 feet

## 5/20/91 Tropo

0037 99.5 WJBR DE Wilmington- o/ local (12 mi) WBAI

0300 107.7 WGTY PA Gettysburg- WSNJ off.

1234 101.1 WEAZ PA Philadelphia- o/local WCBS-FM! ex-WDVR last heard in 1976

## 5/26/91 Tropo-scatter- TX9800 fixed and in use

1310 100.1 WUEM PA Lebanon

1315 99.7 W999 PA Mount Carmel- ID 'WHOT', //WHTO Benton, PA

1322 102.5 WMJQ NY Buffalo- ad for boat ride, call 416-599-BOAT.

## 5/27/91 tropo-scatter

1313 92.9 WEZF VT Burlington

1315 94.9 WHOM NH Mt. Washington

## 5/29/91 E-skip

1900 88.1 KNTU TX Denton

1905 93.3 KESE ?? ??- EZ-93' and legalID- who is this? Bob Smolarek sez KESE is 101.9 in Amarillo TX per M St. Journal, but FMAtlas sez 101.9 Amarillo is KATP. KESE definitely on 93.3, no city of license heard (Any others with ideas? -trb)

1909 92.5 KZPS TX Dallas- 'Classic Rock 92.5'

1910 107.9 KAND? TX?-'Majic 107.9' no majic 107.9 listed in FM Atlas

1913 104.1 KTMJ TX Tyler

1921 97.7 KCTT AR Yellville- E-skip pest

1923 96.1 KCWD AR Harrison- ment Harrison and lcl mentions.

1925 97.3 KNDL LA Kaplan- 97 Country & lcl ments

1926 98.5 KVOO OK Tulsa- E-skip pest

1926 97.7 KNTN OK Edmond- 'The trend 97.7'(strict) and ments of Oklahoma City

1927 96.5 KRAV OK Tulsa- E-skip pest

1927 96.1 KXXY OK Oklahoma City- 'KXXY' Country mx

1931 95.3 KMTB AR Murfreesboro- B-95 & address for Murfreesboro Chamber of Commerce, PO Box 166, Murfreesboro,

71958. Perfect non-ID! (I'll second that- trb)  
1949 95.3 KHCA KS Wamego- 'Angel 95', T-storm watch for Marshall, Riley, Chase, Geary and Morris Counties. (Bill, KHCA is current call and has a Contemporary Christian format- trb)

1953 95.1 KAMStent AR Mammoth Springs- ment 'Farmers Bank of Stover, serving your banking needs since 1905' followed by ad for an auction service.

Comments on DX: re 5/29 Eskip, MUF= 107.9. Fast fades, but opening had many stns, several on Class A freqs. If I ID'ed all I heard it would have been at least 40 stations. I give the opening a 6 out of 10. Good DXing!

Eric Bueneman, 5002 Cross Ridge Ct., Woodstock, GA 30188  
Equipment: Realistic STA-90 receiver, Archer VU110 yagi in attic. All times ELT.

## 5/19/91 tropo

1136 107.3 WCGQ GA Columbus- good w/ contest promo, lcl ad, '1077 non-ID, CHR.

1137 106.1 WZLJ GA Teocoa- good w/ Southern GOS pgm (usually CWM) m w/ forecast for GA, NC and SC, no sign of WSTH-FM, w/ WCHR-105.7's xmtr 5 miles from my QTH.

1954 97.9 WSIX TN Nashville- (ex WSIX-FM, 980 now WYFN), fair w/ WKCX-97.7 splash w/ calls in promo & CWM

## 5/29/91 tropo

1720 95.7 WFFX AL Tuscaloosa- fair w/some splash from WKLS-96.1, w/ AC/OLD, trivia contest, '95.7 The Fox' nonID, heard while receiving E-skip from TX and NM on channels 3 and 4.

1730 101.9 WSGC GA Ringgold, fair over WGGA-FM w/ SMN Pure Gold//WQUTU-102.3, calls stand for Solid Gold Chattanooga

1733 102.3 WKLQ-FM GA Buford- poor w/WQTU w/ 50s and 60s OLD, 'Oldies Lake 102' nonID, better signal on 146. 102.3 signal rare w/WQTU dominant.

1759 93.9 WLIT IL Chicago- good w/ no WSTR-94.1 splash w/ wx forecast for Chicago/mid, temps on Lakefront and Midway and O'Hare, 'Were Chicago's Light FM, 93.9 WLIT-FM Chicago' into AC. First FM from the Windy City.

1801 94.5 KWKK-FM LA Shreveport- good w/WAPI-FM w/ lcl and state nx before getting E-skippped by KELT

## 5/29 Eskip

1850 94.5 KELT TX Harlingen- good w/WAPI-FM w/ AC, 'The new K-light' nonID, ads for Budweiser & HEB Food Stores, KGBT-4 also in.

1919 103.7 WWIB WI Ladysmith- fair w/ WQEN w/ Cont Chr mx (CCM) calls in ad for hotel in Richfield, MN, was trying for WDBR via tropo!

1922 100.9 KGLC OK Miami- fair to good w/clean separation from WUSY-100.7 w/ wx forecast, legal ID and CWM, AM has new calls.

1929 95.3 KJNY TX Brady- good w/some WNGC-95.5 splash w/ sta promo, anti-crime PSA, wx forecast, AC, change from CWM

1935 107.7 KMAJ-FM KS Topeka- good w/ some splash from W298AA-107.5(WMBW/T Roswell, GA) and 'WPEZ-107.9 w/ AC/OLD, calls, PSA, lcl ads // KMAJ-1440, phoned Paul and left msg pertaining to this on his machine!

1942 104.5 unID NE Lexington area- good w/ ads for Eustis(?), Lexington, and Cozad, 'More Country, Less Talk, 104 1/2 nonID, into CWM- (it's KAMI Cozad, NE. Are you sure they said Eustis, Eric? There is NO Eustis, NE- trb)

2007 95.7 KROA NE Grand Island- good w/ WFFX w/ severe t-storm warning for parts of NE, forecast for north central KS.

2018 94.5 KJKEZ IA Fort Dodge- fair to poor w/ calls in promo. 2921 93.7 WCGY MA Lawrence- good w/KLTR/WFBC-FM at w/ live remote from Buster's in Saugus, MA, '93.7 WCGY' nonID, into ROK. Only New Englander in during this opening

Me- Silver Lake, KS  
Equipment: Marantz ST-300, Heathkit AR-1650, 10 element FM yagi at 38 feet

## 6/11/91 tropo

1745 96.3 WJWC WI Rice Lake- good w/ Milwaukee Brewers BB, WI #1 and state #26.

2000 95.1 KWAO MN Worthington, 'KO-95' nonID & Worthington ads- rare here.

2005 91.3 WHHI WI Highland- WI Pub Radio nx and legal ID.

I realized AFTER I started that these ramblings would need to go at the end. Such is life, I guess

First off, a heart-felt thanks to all the contributors this time around. Typing it up took triple the usual time. Dan Cashin sent along an envelope full of info on antenna comparisons, tuners, and how-to-choose stuff, most of which is written for audiophiles, but easily understood by DXers and non-DXers alike. If you're interested, send \$1 to cover postage to Dan at 1335 Harrington Rd, Haverlow, PA 19083.

In the next few weeks I will be experimenting with various indoor antennas/designs, trying to come up with a usable DX set-up for my apartment (laddered sez no outdoor antennas). I'll let you know the results

As for which time zone to use, I am assuming everyone has used their local time (I have). No one has dictated that PMDXD is to be in ELT like the DDXXD columns, so unless I say otherwise, please keep the reports in your local time.

TS's  
Tad

## Denver firm to establish FM radio station in USSR

By The Denver Post

A small Denver entertainment company has signed an agreement with Soviet officials to establish Moscow's first commercial FM radio station, which organizers say will begin broadcasting later this summer.

Video Communications and Radio Inc. said it struck a joint agreement with the Soviet Agency for Cultural, Sports and Business Development to build a 60,000 watt transmitter and broadcast studios in the Soviet capital.

The station, tentatively named Radio 7, will begin broadcasting on a limited three-hour daily schedule early next month and eventually plans to expand into a 24-hour format, featuring European and American pop music and jazz.

"This started with discussions we had with the Soviets more than 18 months ago, and we have every

confidence the venture will go ahead," said Video Communications President Ben Doud.

The operators hope to sell advertising time to American companies already doing business in the Soviet Union, such as General Electric, Levi Strauss and Campbell Soup, collecting revenues in dollars.

Moscow already has six radio stations, broadcasting on the AM and shortwave bands. But a large segment of the population has FM receivers, which they use to capture signals from stations in Europe, Doud said. The FM frequency the station will use was originally assigned to the Soviet military, which uses it for communications.

Video Communications said it is investing \$500,000 up-front to start the station and will split the profits with its Soviet partners.



The Denver Post  
-via Wayne Heinen



# Musings

of the Members

Thoughts from NRC members ... the opinions expressed in this column are those of the individual writer and do not necessarily reflect those of the editors, publishers, or the National Radio Club, Inc.

**Dave Schmidt**

P. O. Box 11502

Wilmington, DE 19850-1502

Times are local per Muse.

**CESAR OBJIO - CALLE ENRIQUE HENRIQUEZ 69- SANTO DOMINGO, DOM. REP.**

Hi friends! This is in order to inform to my dear friend Ernie Cooper about his request on his 4/1 Musing about the French speaking station on 1090, here is what I could find on some DXing: On 4/24 I heard Columbia, Caracas w/many ads and ID then news at 0120 also a jumble of mixed stations. At 0215, I heard a French speaking station with what seemed to be some kind of game but could not ID the signal as it was very weak. On 4/26 at 0130, I heard Venezuela w/ 'Exitos Mil Noventa' (Exitos 1090), Caracas, IDing at the time and ads. After this, I again heard the French speaking station but no ID was heard, fair signal, it was some conversation between the announcer and listeners on the phone w/many mentions of Martinique. At 0200 many ID's were heard as 'Exitos Mil Noventa' again announcing ESPN "Omnivision Multi Canal". There is a French speaking station there but I haven't been able to ID it, it happens when the time comes and the signal fades and only the Venezuelan is heard. I assume it is Radio Caribbean in St. Lucia, but it is weak as is the Columbian, and I think that is the station he heard. Sorry I couldn't get more information but I am always here to help, please write if you may need when you wish information from this area, I will do my best to help! (Thanks, Cesar, as it was also heard that same AM here-DWS)

**ANDY RUGG (VE2EM) - 669 DE GASPE #218 - NUNS ISLAND, PO H3E 1J1**

A combination of events kept me away from the AM dial since my last Muse a few months ago. Some veries finally trickled in, 5 of them: WABS-780, WEVD-1050, WADJ-1330, WBUG-1570, WPGM-1570. I will remain inactive at midyear and likely will skip the convention in WV as my old job got 'restructured' out of existence. It was starting to bore me after 7 years. My new & better job will require me to transfer about 60 miles W of here. I hope to have a house with some antenna space! I will Muse again when things settle down! 73

**BRUCE CONTI - 34 KESSLER FARM DRIVE - NASHUA, NH 03063**

Another DX season has come to an end, the best in recent memory. Highlights include reception of Jamaica-700 and hearing audio from Saudi Arabia-1521. My UNID French station on 640 turned out to be Guadeloupe! Thanks to fellow NRC'er Frank Merrill for the tip on that one! One verie this season was from WABS-780 for their DX TEST, it was a nice v/l, including a brief history and mentioning their unique non directional 2 tower array. To contribute to the on-going (hi!) theme of all time bests, I went through past veries and found VOA-1580 Antigua '83, WHOA-870 Puerto Rico '79, and a v/l from WOMR-91.9 signed by the ol' left-handed band master ERC in '83. I'm looking forward to seeing Ernie and many others at the '91 convention in WV. Until then, 73's!

**FRED VOBBE (KB8BMQ) - PO BOX 5031 - LIMA, OH 45802-5031**

Hello NRC members! Yes, I am among the living, and I would like to thank those of you who have been patient in my replies. My health for the 1st half of the year was not what it should have been which forced me to lay back and take it easy on all fronts, including postponing some much needed remodeling at our home and several projects. Again, I am sorry that I have not gotten back to some of you as quick as you may have desired but I think you can understand. The end of April turned out to be real expensive at the TV station, when the operator turned on the transmitter at s/on 4/30, a \$40,000 klystron tube decided to self destruct. The end result was a tube which was totaled and a transmitter full of water from the coolant that the tube requires to keep it operating at the proper temperature. I finally got the transmitter dried out and back on about 8P after retuning a klystron from Ch. 41 down to 35. That week saw around 80 hours in the station and combined with the aforesaid mentioned illness, I am still not quite up to par from that experience. I finally upgraded my ham ticket to Technician, and am shooting for my General class by the fall as time permits for study. There is still a lot of work to do on the ham shack but I need to get the construction done on our patio before anything else can proceed. When done, I will have a nice DX den for 80-10 CW/SSB, 2 mtr & 440 mhz ATV as well as RCB AM/FM DX. Another local ham & I replaced all the bad coax on my tower which was damaged in the ice/wind storm this past winter. Everything seems to be working good and the AC power line buzz has seemed to disappear so I guess the power company also had some damage. These clear conditions have yielded several nice catches. 1160-MI was here one afternoon with my 1150 local still on ND power. Speaking of 1150, if you want to verie WIMA in Lima, send your report to MARK GIERHART, KB8MB, who is CE, he will gladly verify any accurate reports, address in the NRC log is correct. Don't bother with WCIT, they have no CE and no desire to verify reports per several who have asked them. On the SuperLoop MEL900, I have made some design changes which will take place

in the next production run. Gone will be the wood stands, in it's place will be a fitting that will attach to a camera tripod. This will make it more useful for DXers who are using it in the field. Also, the FAA version with the longer elements will be out by Sept. That's about all for now, hope to see everyone at the convention, pending any last minute disasters like last year!

**ERIC BUENEMAN - 5002 CROSS RIDGE COURT - WOODSTOCK, GA 30188-4380**

WAOS-1600 now has some competition, WAZX-1400 is now on the air (ex-WRAP) with a Spanish format. The difference is that WAOS plays Salsa music (Caribbean) & WAZX plays Nortena music (Mexico). WAZX's transmitter is in Alpharetta but their studios are in Doraville. WAZX's programming reminds me of the many SS stations I listened to on my trips to TX & CA in the early 80's. In other news, WFTD-1080 has gone to all live programming during the week. Weekend programming is still mostly from the Skylight Radio Network/KTIS-900. The dropping of the Muisic of Your Life format from Unistar's offerings has left some stations wondering what they'll do next. Some have gone to the similar 'AM Only'. (WDDV-1410, WMID-1340, WHYL-960, WLVW-960 are all audible here days with it-DWS). WDCY-1520 has dropped Southern Gospel and has gone to a CWM format with some talk programming and WSB's 6 o'clock news. The big news is that my 6 year broadcast career will have ended by the time you read this. The reason I left it is because no one was willing to offer me a chance to demonstrate my skills on the commercial airwaves. Is that the most common reason why many broadcast careers are cut short, Dave? (It took me about 8 years to really get my foot in the door, even rough at times these days!-DWS). I'm looking into changing my major to elementary education, how's that for non-stick? Look for a new address shortly. 73

**MICHAEL HAWK (KBØGX/KT) - 10212 P STREET - OMAHA, NE 68127-2130**

With all the new members joining the club, I figured that I should re-intro myself. I just turned 15 on 6/3. I have heard around 1,350 MW stations in 7 1/2 years of off/on DX. The last 2 years, I have been very active. The last year or so, I have taken up FM DX. I also just passed the technician license test and am working on my general ham ticket. My receivers are a Kenwood R1000, Hammerlund HQ180A and a Sangean ATS803. I use a 2' loop along with a LW. The only SW DX I do is in the tropical bands. Not much AM DX has been done lately except on 5/9-10, Belize on 830 was about an S7, Nicaragua was also noted on 720. Recent veries include KTKR, KNAB, KBOI & CJWW. Around 125-135 veries now, I haven't recently counted. There are a lot of members who contribute to this column and I know nothing about them, how about some info on YOU? (A good idea to start off issue #1 come Sept., a bio on yourself, how 'bout that?-DS)

**RICK DAU - 401 EMERALD STREET, APT #9 - IOWA CITY, IA 52246**

This Musing marks the start of my 4th year in the NRC so here's the traditional reintro: I'm 26, single, & am currently working as a driver for a pizza place here in town (Deluxe Pizza's are abbreviated "DX" on phone orders-hi!), I've also been a member of the DX Audio Service for just over a year and I really enjoy the fine production by Fred & his crew. On 5/17, I travelled to WI Dells, WI to attend Jim Conrad's GTG that was plugged on the front page of a recent DX NEWS. Attending were Jim, myself, Gerry Dexter (Lake Geneva, WI), Bill Butak (Thunder Bay, ON), Tom Messer (Bayside, WI), Kevin Klien (Aplleton, WI), Peter Barr (Des Plaines, IL), Evelyn Sampson (Chicago, IL), Joe Olig & Bill Dvorak (Madison, WI) & Tom Gavaras (Minnetonka, MN). These were all new names/faces to me but I had a great time anyway. Door prizes and a photo session capped off a great weekend of camaraderie. Speaking of which, it's that subject with which I want to finish off my Musing this time. In April, I marked my 10th year as an active DXer, but I can truly say that what I've got out of the hobby (and out of being an NRC member for the last 3 years) is priceless. I've made many new friends through the NRC and it's a pity I can only meet with them once a year at convention time. There are a few I want to single out for my heartfelt appreciation: Roger Windsor, whom I've chatted with many times on the phone & who also had me as a weekend guest 11/89; Wayne Heinen & Jeff Tynan for their outstanding job with the CPC, especially after sending them some target station lists, seeing the stations on the air and getting a prized verie; Bill Hale, who does a super job with DDXD-E (the 1st column I ever reported to); Paul Swearingen who puts in yeoman's efforts in getting DX NEWS out and looking so good, close friend Todd Brandenburg from Topeka, whom I've kept in close touch with, the video tape king Ernie Weslowski who hosted the first GTG I ever attended (July '88), Neil Zank, the 1st active NRC'er that I met there 3 years ago, recently rejoined Earl Higgins who introduced me to the NRC while he was living here in IA City, showing me a copy of the '86 NRC log. The NRC is a superior organization, second to none when it comes to sharing information about AM radio, I only regret I didn't find out about it sooner! I plan on being a member for many years to come!

**JIM WEBER - 3118 BRIARWOOD BLVD. - LANCASTER, PA 17601**

This is my 1st Musing in quite some time, probably 8 years. Not much has happened since then which is why I haven't sent anything in! Actually, a lot has gone on but most of it was non radio. I'm a 38 year old federal contracting



officer in the tracked vehicle business. The radios in here are a Sony 2010, TRF & HQ145. Backup is provided by an R390A, AR88 & some Grundig & Blaupunkt pushbottom radios. I just can't stay away from those old boat anchors. I know Andy Rugg used the AR88 for quite some time but I don't see it reported any more. The car radio is the Delco ETR which is probably the most used of all! (Weber, con't.) My commute takes me from Lancaster to York PA and I get the chance to listen from 6-6:45A & 4:20-5P, there's usually something coming in at those times. I've been a member for about 10 years. Earlier on, I usually listened to SW, mostly for the music. I was a contributing member to FRENEX and Review of International Broadcasting and was sending in loggings and articles to those journals. While living in Reading, I had a radio show on the Albright Collage station, WXAC, featuring Latin American & African Top 40, some of which was taped off the radio. I had a lot more time then (single-no kids!) and look back on those days as being a lot of fun! I have adopted 1550 as 'my' frequency as there seems to be a variety of stations and no dominant locals. Virtually all of my listening is done on the frequency. Usually WSER or WARD are the daytime regulars unless CBE is powering through. Other regulars include WNTN, usually at s/off, WXVA, WBSC, & WYNX. There are some SS stations creeping in occasionally, a few months ago IDing Radio Fabulosa, which I believe is WNTN. I intend to explore the frequency scientifically as it is also infrequently reported. Recent reports by Russ Edmunds & Charles Reh were good to see. So much for now, enjoy yourselves & good listening! (Thanks for your fine, back-into-the-fold report, Jim, look forward to seeing your name in print often!-DWS)

#### JACK B. HORNER - 3216 PINEWYN CIRCLE - LANCASTER, PA

I recently rejoined NRC after an absence of over 50 years, my membership goes back into the mid/late 30's when the chief honcho was Bob Wagner in York, PA. I was only a high school lad at the time, however I took my BCB DXing seriously and can remember going to several conventions at Bob's home on W. Market St. in York. In fact, one year were were the guests of WORK, now WOYK. In 1940, I went away to college, then the war and after that, 42 years as an active lawyer in Elizabethtown, PA, so I haven't done much DXing during that period. I recently retired and bought myself a Sony 2010 from Universal Radio in OH. Much to my surprise, I saw the NRC AM Log offered in their catalog. I purchased it, answered your membership application and here I am! It's a pleasure to find BCB DXing still active. I could hardly believe it what with all the 24 hour stations cluttering up the bands. Back in the 30's, there were only a handful of all night stations and after 2AM, things were mostly wide open. On a good night, it wasn't uncommon to pick up a few TA's or 2YA, 100 watters on the W coast could be heard after 3AM. My prize possession was a verification from JOAK in Japan. It looks like those days are gone forever, but there are many more stations now so I believe there is still a good bit to do, even though the distances aren't as far. In 2 months, I've logged 264 stations, not much but then 2 months isn't that much time either! So far, I haven't picked up anything worth mentioning, however I was delighted to catch WOR off Memorial Day AM and catching a Spanish talk program at 2:30AM, tentative as WAQI. It isn't much of a catch but WOR generally blankets 710 here and I was lucky to catch them off. It surprises me to see that stations are still doing test programs in the middle of the night. I arranged a number of test programs for the NRC. Unfortunately my wife threw out all my records, bulletins & verifies many years back so I can't check it out. If there are any old copies of DX NEWS available, check them out, you'll find my name listed. My antenna is the one built into the Sony. Being in a condo, no outside antennas are permitted. I wonder if a small loop, such as the Palomar offered by Universal Radio would materially improve my reception. Please excuse this long drawn out rambling but I sort of feel like I'm coming home, so I hope you will indulge with me this once. I wonder if there are any members who go back into the 30's, if so it would be nice to hear from some of them! (Welcome, Jack, and thanks for your fine report-DS)

#### GERRY THOMAS - 3635 CHASTAIN WAY - PENSACOLA, FL 32504

Wow! The weather around here this spring has sure been weird! Almost 50' of rain so far this year and the normal amount is near 20". Of course, the rain has been accompanied by lightning & thunder so radio pursuits have been minimal. I did experience in March. I was driving along the coast in a moderate sea fog when I looked at the sun and thought I noted a dark spot on it. I put on my sunglasses and looked again and was astonished to see the largest sunspot I had ever seen with the unaided eye, it seemed to cover a full third of the upper left quadrant! 2 nights later, the aurora borealis was again visible from here. This was the 3rd week in March, the same time last year the aurora made its first appearance this far south. And, of course, radio conditions to the N were just atrocious with even WSB-750 & WSM-650 completely gone. Strange goings-on going on. Summers here which means you can't DX when you feel like it, you have to listen when Mother Nature says it's OK! Down here, the regional weather has to be dominated by a high pressure system to make the BC band listenable, which generally occurs about 3-4 days a month during the summer. These days are worth seeking out because some unusual South American DX has been heard in years past. This past DX season was pretty much of a bust. The Desert Shield/Storm/

Sabre events has us DoD scientists putting in 70 hour work weeks and any spare time hours glued to (NM. I'm looking forward to a peaceful, productive DX season this fall-hi! On other matters, the new Drake R8 looks too good to be true, finally, the opportunity to buy an American product from an American company with an excellent engineering and service-after-the-sale reputation. Right now, the only thing standing between me and the R8 is the thing called a 'wife'-hi! I've enjoyed the recent articles by Dallas & Mark on antennas, keep 'em (Thomas, con't.) coming (maybe I'll even get the 3 I've written polished up and sent in pretty soon). That's about it from here, 73's...GT

#### JOSEPH K. JOHNSON - 2119 GIBBONS STREET - SAVANNAH, GA 31404-4910

Hi-ho fellow Musers! WNTM-1520 Garden City, GA has mysteriously disappeared from the airwaves. When I tried calling them this past week, there was no answer. For 23 years, this station was an institution to the small town of Garden City as well as Savannah. I don't know what happened to WNTM but will look into it and report further as the information becomes available. 73's.

#### DAVE SCHMIDT - PO BOX 11502 - WILMINGTON, DE 19850-1502

This will be going out on 6/20 in an overnighter to Paul, as we really had the work load bust loose again, with a 2 week trip to Dillon, SC. We landed a major overhaul type job to WDSC-800/WZNS 92.9, which has been off the air since last Nov. This was a case of the place just falling apart around the staff and the previous owners wanting to do nothing with it (it was lost in bankruptcy, now being operated by a trustee). Thus far, the AM tower has been replaced, the transmitters overhauled (FM was 100,000 watts ERP, new in '86 so that didn't make much sense with them being down!) and rebuilt studios. We'll be making some additional trips down there in July, you may want to try for WDSC once the tower tuning/matching is done (going from a 600 foot tower to a 220 foot tower, top loaded should make a difference), keep your ears out for the infamous foreign siren tone.

In the LOOKING FOR MR. GOODREPORTS DEPT.: I'm now pulling an airshift at WXYC-103.7 6-11P Sunday PM, CW music with a countdown show 6-9PM, needed some extra bucks-hi! And that's it, see you next month! 73's

#### **FCC SHUTS DOWN FALCON CABLE TELEVISION SYSTEM FOR EXCESSIVE LEAKAGE ON AVIATION FREQUENCIES**

On April 24, 1991, the FCC's Los Angeles Office issued a cease operations order to Falcon Cable Television of Mojave, California. Falcon was ordered to shut down its system because the results of an FCC inspection showed numerous signal leaks on the aviation frequencies. The leaks were in excess of the 20 microvolt limit and far exceeded the cumulative leakage index (CLI) of 64.

The CLI standard, as defined in Section 76.611 of the Commission's Rules, was designed to prevent harmful interference to aeronautical communications in the frequency bands 108-137 and 225-400 MHz. Violation of the Commission's CLI standard presents a threat to public safety. In addition to shut-down orders, possible penalties for violations of signal leakage rules include assessment of monetary forfeitures. Because of the safety-of-life concerns associated with excessive leakage from cable television systems, the Commission will continue to inspect and vigorously enforce its regulations in this area.

Note: This "bust" of a cable company FCC is only one of several noted recently. It may signal a new activism on the part of the FCC to protect the rights and lives of citizens. The FCC and FAA have also been at odds over the issue of towers close to airports recently, but the FCC still cited defunct WOKJ-1550 for unlit tower lights and other problems. The citation may result in a \$250,000 fine, the maximum allowable.

### **NRC Stationery**

Now only \$5.00 for 100 sheets ... including the NRC logo and header in black ink.  
Order today from NRC Publications

### **Not sure about renewing?**

Consider these benefits of a membership in the National Radio Club: 720+ pages per year of printed, easy-to-read, comprehensive DX and radio information ... reduced prices for publications ... responsive editors ... and the friendliest bunch of DX'ers in the world! Why not send that renewal check to Ron today!