



DX NEWS

The magazine of the
National Radio Club

— SINCE 1933 —

Volume 58, No. 26 - June 3, 1991 (ISSN 0737-1659)

Inside...

- | | | |
|------------------------|---------------------|---|
| 2 .. AM Switch | 15 .. IDXD | 27 .. Heaven's Peace Plan and Family Radio Nets |
| 5 .. DDXD-E | 20 .. GYDXA | 28 .. Sports Networks |
| 13 .. In the Beginning | 23 .. Air Core Loop | 32 .. Station Address Changes |
| 14 .. DDXD-W | 24 .. For Beginners | 33 .. Bevmatcher |
| | 25 .. WQLS | 42 .. Musings |
| | 26 .. FM DXD | |

From the publisher ... First, congratulations to Wayne and Joan Heinen, who were married May 17!

Lotsa good stuff this issue ... but some items will have to wait for more room in July - sorry!

NRC in Bridgeport ... Room rates for the convention hotel, the Holiday Inn, are a flat \$58 per room, and 50 are reserved for Friday through Sunday, August 30-Sept. 1. To reserve, call (304)842-5411 and mention the National Radio Club. The hotel's street address is 100 Lodgeville Rd. You'll need to reserve your room by June 30, or plan to sleep in the back seat of your car, as the hotels for miles around have been booked solid for all the other events that weekend.

DXGatherings ... The Association of Southern Radio Monitors will meet June 15 at Wingate College, Wingate, NC (near Charlotte), and the college has two R-5000 receivers for use by hobbyists. For more information, send an SASE to Mike Hardester - P. O. Box 8159 - Camp Lejeune, NC 28542-8159 ... DecalcoMania will meet July 12-14 at Speedway, IN; an SASE to Phil Bytheway - 9705 Mary Ave. NW - Seattle, WA 98117 will get you more information.

DXChange ... Chris Cuomo - 670 Third Avenue - Verona, PA 15147 is still looking for *Popular Communications* magazines from April '89-August '90, plus September, 1983 ... Gary Lovegren - 6617 Vienna Ct. - Citrus Heights, CA 95621-5440, (916) 726-0150 is offering his Radio Shack 12-655 TRF, with S-meter and Ceramic filters, plus Shotgun Antenna, in good condition, for the best offer ... Jay Smilkstein - 105 Manchester Dr. - Mt. Kisco, NY 10549, (914)666-6811, would like to buy a McKay-Dymek AM-5 tuner, for around \$50; it does not have to work ... Joseph Janata - 25-10 21st St. - Astoria, NY 11102, is looking for a 4-ft. NRC loop "without unamplified type" ... DecalcoMania is offering the 2nd edition of *Aircheck Arcade*, which includes reviews of tape

recording equipment and tips for airchecking, and *Care & Feeding of a Promo Collection*, each for \$3.00 (U. S.), \$3.50 (U. S.) to Canada. Send your orders for these publications and sample newsletters (for \$1.25) to P. O. Box 126 - Lincroft, NJ 07738

"QSL Station of the Year" ... The SwedishDX Federation has attempted to improve QSL rates by making this award each year, and the 1990 award went to Radio Clube do Angra in the Azores "for their generosity in answering reception reports" SDXF has requested NRC and other clubsto publicize this award "to encourage radio stations to answer reception reports and correspondence from DX-ers". Previous winners have been Radio Atlantida, Perú, and La Voz del Cinaruco, Colombia - 1989, Radio Impacto, Costa Rica - 1988; Sam Radio, Honduras - 1987, and Radio Botswana, Botswana - 1986.

Remaining DXN Schedule, Vol. 58

Issue #	Deadline	Publication Date
27	June 21	July 1
28	July 19	July 29
29	Aug. 16	Aug. 26
30	Sept. 13	Sept. 23

DX Time Machine

From the Pages of DX News

50 years ago ... from the May 17, 1941 DXN: Report from KCRC-1390, Enid, OK, that their 4-hour DX broadcast on April 16 netted 207 reception reports, the most distant coming from H. W. Newell, Arlington, MA.

25 years ago ... from the June 11, 1966 DXN: Roger Winsor started a new job as announcer at WNWI in Valparaiso, IN and made arrangements for a DX test ...the NRC convention was to be held in Montreal and hosted by Sam Simmons and Andy Rugg.

10 years ago ... from the June 8, 1981 DXN: Mark Connelly's article "Antenna Phasing" ran in this issue.

THE WORLD'S OLDEST AND LARGEST ALL MEDIUM-WAVE DX CLUB

AM Switch

Jerry Starr

c/o WHOT Radio
4040 Simon Road
Youngstown, OH 44512-1320

Status changes in AM stations, supplied by the FCC and NRC members

CALL LETTER CHANGES

Old call:

730 WSNI GA Thomasville
820 WPNT IL Chicago
870 WKZN ME Gorham
880 KWVG TX Hamby
910 WCMG TN Columbia
970 KESI OR Portland
1000 KKMX CO Hayden
1030 WBYG IN Union City
1140 WIXC AL Hazel Green
KCSY AK Soldotna
1240 WBAB NY Freeport
1250 KZIU AR Little Rock
1310 KXTN TX San Antonio
1350 WLRQ FL Cocoa
1370 WQPN WV Moundsville
1400 WRAF GA Alpharetta
WEUZ WI Eau Claire
1410 WRDC MS Boyle
1470 WLAM ME Lewiston
149D WDXB TN Chattanooga
1520 WGNB FL Indian Rock Beach
1580 WAXU KY Georgetown

New call:

WSTT
WXRT
WLAM
KEIO
WQZZ
KBBT
KIDN
WBNN
WBXR
KSLD
WGBB
KURB
KZVE
WWHL
WZAO
WAZX
WBIZ
WDTL
WKZN
WJOC
WXYB
WTKT

Bye, CKEY

By Greg Quill
TORONTO STAR

When listeners to Toronto's long-standing classic hits station CKEY tuned in yesterday morning they heard the sounds of country music.

It may have been the 590 space on the AM dial but what they were hearing was a new station with a new format, a new image, new call letters (CKYC) and a new name — Country 59.

After 46 years, the station popularly known as KEY 590 signed off permanently about 7 p.m. Thursday without notice.

The move to the country hits format followed research conducted in the Metro market by North Carolina-based radio consultant Richard Harker, said Eric Rothschild, vice-president and general manager of the new station, at a breakfast presentation for some 150 nervous advertisers and shareholders.

Country 59 is the seventh country radio station owned by the publishing and broadcast giant Maclean Hunter in Ontario and the Maritimes. And it's the only country music station in Toronto since the demise last spring of CFGM.

"When people think of oldies, they think of (KEY 590's competitor) CHUM (AM 1050)," Rothschild said, outlining the reasons for abandoning the adult rock nostalgia format and changing the name of the station.

Dispelling rumors that as many as 20 KEY 590 employees would be laid off as a result of the change, Rothschild said yesterday only five people have been dismissed so far.

Toronto Star
via Jerry Starr

APPLICATIONS FOR NEW STATIONS

None

GRANTS FOR NEW STATIONS

680 LA Tioga: 800/400 U2 (5 miles north of Alexandria)

APPLICATIONS FROM EXISTING FACILITIES

820 WPNT IL Chicago: delete night operation, relocate XR, antenna to D1 (see Otherness)
830 KSRT CA Orange: powers to 50000/2300
1020 WART FL Port Orange: power to 400 watts, antenna to D1
1290 WGLI NY Babylon: city of license to Mastic Beach, NY, night power to 550 watts

GRANTS TO EXISTING STATIONS

580 KSAZ AZ Tucson: city of license to Marana, AZ, relocate transmitter site, reduce night power to 1000 watts
800 KQVC OK Oklahoma City: day power to 2500 watts, add 500 watts nights, antenna to U3, relocate transmitter
890 WFAB PR Ceiba: relocate transmitter site (new station)
1270 WLSM MS Louisville: decrease power to 2700 watts
1430 KNTA CA Santa Clara: night power to 1000 watts, relocate transmitter site
1450 KMHT TX Marshall: changes in antenna system
1570 KQWC IA Webster City: reduce power to 147 watts

OTHERNESS

530 CFJT ON Fort Erie: station is still on the air despite several reports that it was silent. They WILL become SILENT 10-1-91 and become FM-only. MSJ reports this frequency will default to the TIS station at Toronto International Airport. Wonder what became of the proposed switch of CIAO from 790 kHz to this frequency?

680 WLSY KY Newburg: several issues ago we questioned if this new station would ever get on the air now that their FM station had gone silent. They have been granted an extension of their permit to construct a new station (CP) so something must still be going on here

730 WDKT AL Madison: station is SILENT

820 WXRT IL Chicago: last issue we mentioned the application of WSBC-1240 to purchase this facility and operate it and WSBC until the 1240 facility could be sold. The application mentioned above to relocate the 820 facility and go daytime-only reflects their plan to diplex the 820 signal into the existing WSBC antenna in northwest Chicago

880 KWIP OR Dallas: this silent station has been sold and new owner has agreed to lease station's real estate and equipment for 10 years so evidently we can expect them to be returning to the air

940 KTON TX Belton: silent station is back ON THE AIR

950 WNOC PA Barnesboro: station is SILENT

960 WKZA PA Kane: station has been SILENT since March 1991

980 WYFN TN Nashville: ex-WSIX, station is SILENT, should return when new REL format is ready to go

1040 KCOBR CO Monument: silent station has been sold, may return

1080 KRPX UT Price: station is SILENT

1140 WBXR AL Hazel Green: silent as WIXC Fayetteville, TN this station is back ON THE AIR from this new city of license with 15000 watts

1180 KLAY WA Lakewood: silent on 1480 kHz, this station is now ON THE AIR as of 4-3-91 on this new frequency

1290 WGLI NY Babylon: WADO-1280 bought this station a couple years ago and took it off the air to reduce co-channel interference and improve the 1280 coverage. Now they are proposing to put this station back ON THE AIR after moving it 30 miles east and more distant from NYC in Mastic Beach, NY. Could they be planning to make this a repeater to simulcast WADO? Is there much call for Spanish programming in central Long Island?

1300 WIMG NJ Ewing: John Bowker reports he tunes past this station nearly every day and has NEVER noted them off the air, reports of temporary silence are in error evidently

1340 KICK MO Springfield: silent station is back ON THE AIR

Not sure about renewing?

Consider these benefits of a membership in the National Radio Club: 720+ pages per year of printed, easy-to-read, comprehensive DX and radio information ... reduced prices for publications ... responsive editors ... and the friendliest bunch of DX'ers in the world! Why not send that renewal check to Ron today!

- 1370 KPOS TX Post: silent station expected back ON THE AIR under new ownership by the time this reaches you
- 1380 WAMS DE Wilmington: station went SILENT 4-28-91 and although they stated they may return "in the fall" we have learned that their studios/transmitter and antennas will be dismantled as the land in the high-rent district of West Wilmington has become more valuable as a development area than a radio station. This is sad. This was one of the great AM stations in the "good old days" and also many DXer's only chance to log Delaware
- 1450 KJMB CA Blythe: station is SILENT
- KOBO CA Yuba City: silent station is back ON THE AIR and is simulcasting KEST-1450 San Francisco, CA
- 1460 WBPA KY Elkhorn City: station is SILENT
- 1480 WSDS MI Canton: move here from Ypsilanti is ON THE AIR
- 1490 WJLF AL Decatur: station is SILENT
- WZKT VA Waynesboro: silent station is expected to return to the air by the time you read this, will simulcast WSKO (FM) in Buffalo Gap, VA
- 1550 WOKJ MS Jackson: FCC has issued a show cause order in anticipation of revoking the license of this station which has been silent since 7-90. In addition they have handed the owner a notice of apparent liability (a fine) for up to \$250,000! Violations include failure to light the antenna system towers, discontinuing operation without FCC authorization and failure to respond to a number of Commission inquiries. It may seem that stations can get away with many things but when you don't answer mail from the FCC they tend to get MIGHTY disturbed. This guy may be in deep you-know-what!
- 1560 KLTI MO Macon: station is SILENT
- 1590 WACD AL Alexander City: station is SILENT pending sale

THANKS: Dave Schmidt, the John Bowkers (D&S) and M Street Journal

73 and Good DX, *Jerry Starr & Buffalo K. Fooman*

WAMS radio taking a leave

By GARY MULLINAX
Staff reporter

MOUNT CUBA — WAMS-AM (1380) will go off the air at the end of the broadcast day Sunday in order to develop a new tower and transmitter site.

Station officials said they hope to resume broadcasting around Labor Day.

The new tower will increase signal strength, making the station more accessible to listeners in Newark, the U.S. 40 corridor, Cecil County, Md., and Salem County, N.J.

"It's a chance to make WAMS technically competitive with all the other broadcast options," said

station spokesman Bill Englehart. WAMS also will move its studio, which would not necessarily share a site with the tower. Delaware Park in Stanton is one place being considered for the studio.

Steve Kallens, the race track's marketing director, said the station might move into what is now the admissions building behind the grandstand.

A move to Delaware Park would fit with the station's goal to increase its coverage of local sports, though management is not yet certain how much the current format of oldies rock will be modified.

"We've been studying trends nationwide about where AM radio

can best find its niche," Englehart said.

"There's no way we can compete technically with the FM signal as far as music broadcasting is concerned. Infotainment areas (including sports) seem to be where AM is making gains."

The current tower and ground system at the station are more than 40 years old and the ground system has deteriorated significantly, Englehart said. The property itself was sold 18 months ago.

He said the station had hoped to make the moves without interrupting service, but delays in regulatory approvals and construction "setbacks" made that impossible.

Wilmington News-Journal
via Dave Schmitt

Domestic DX Digest - East

William Hale

734 Burselson
San Marcos, TX 78666-4335

DX Catches in the Eastern U. S. and Canada, with 24-hr. ELT

MEDIUM WAVE RAMBLINGS

- New member, and reporter **Laurence Kearley** of Orleans, Ontario checks in with a ton of catches. But, alas, most are older than the deadline permits. I'm really pushing it here, and accepting those which go back to March 28th. The reason being a couple of reports should have been here a lot sooner than they arrived, but the post office intervened. Anyway, back to Laurence...he comments on my "stumbling into the middle of" the Canadian "language wars", mentioning a couple of times the "PQ"/"QC" abbreviation for Quebec. Stumble!? No, pushed and tripped! I really don't care how the Quebecers(?) abbreviate their province. Just so the post gets through. Anyway, good to have you with us, Laurence. Report more often!
- Once again, several loggings were reported missing time, date, or in a couple of cases...both. Which means a no-show here. Please try to remember these important items!
- The next meeting of **The San Antonio Knobwisters** (all-band club) will be held at 2:00 PM CDT at **Wyatt's Cafeteria**, 8511 Tesoro Drive, San Antonio (right on Loop 410) on June 16th. We meet for a couple of hours and hash over what's new on the bands, show off our new radios, look over any new magazines or catalogs, and chew the fat. Everyone is welcome.
- Late-breaking DX or tips may be phoned in at 512-392-0082. Call before 9 PM Central Time.

SPECIAL

- 530 CJFT ON FORT ERIE - 4/22 0658 still here, heard with ID (DV-NY)
CJFT ON FORT ERIE - 5/8 2157 good in CFYZ null with NOS mx *I Wish You Love* by female vocalist and ID at 2200 *CJFT AM 530*, first in it's class on the *Niagara Frontier*, still no sign of their move to FM; I don't know why some NRCers have had trouble hearing them lately (MS-ON1)
- 670 WYLS AL YORK - 3/28 ~2100 XLNT with EZL mx, local PSA and call ID; sounds like a format change, plus they sure shouldn't be this loud this late! (DS-TN)
- 730 WDKT AL MADISON - don't know if it has been reported, but 730 here has been silent for some time now; had good ratings, but went bankrupt anyway; great fulltime frequency for anyone interested in AM station ownership (ES-AL) [In AMS #24, Jerry ★ reported there were 208 silent AMs nationwide. Ouch! - Ed.]
- 770 WVNN AL ATHENS - 4/6 ~2150 good with C&W, *WHVK Huntsville Country* slogans; ex: WVNN [Whoa, big fellow...see next item - Ed.] ...also 4/18 hrd WKQD (93.3) Tullahoma on tropo with same slogans and calls; apparently 770 is now | with 93.3 FM (DS-AL)
- WVNN AL ATHENS - is still mostly news/talk with BRN and some sports (CBS and motor racing), with *Larry King* overnight; now simulcasts with *WHVK 93.3 Huntsville's Kountry* (ex:WKQD and licensed to Tullahoma, TN, so beware!) in early morning and early evening (ES-AL)
- 800 WHOS AL DECATUR - no longer is simulcasting with WDRM, and has gone to fulltime live DJs; still C&W format (Hope it's a trend, ending simulcast, not C&W format, we have enough of them!) (ES-AL)
- 900 CKTS PQ SHERBROOKE - 4/17 1322-1357 on pass thru; EE-language pgms, POP mx and occasional *K-900* IDs; announcement cluster at 1327, single FF record at 1356; slogan hrd at was *K-900 Classic Oldies and Today's Best Music* (RUGG)
- 920 CBO ON OTTAWA - 3/30 1503 XLNT with continuous tape message: *CBC Radio Ottawa has moved to 91.5 on the FM band. If you are having problems receiving our new signal, please call us during business hours at 538-3400 or 724-1200. Please tune your radio to 91.5 FM for the great sound of CBC radio, Ottawa* (MS-ON2)
- 930 KISS TX TERRELL HILLS - another case of an FMer adopting the AM's format...KISS-FM 99.5 is now *Kool Gold 100*; so AM & FM are simul [Ed.]
- 960 CFAC AB CALGARY - 4/19 0330 very good with C&W & slogan *960 CFAC is Calgary's home for country music*; CL change announced in AMS was for their TV station...AM CIs unaffected (REH-ON)

- 980 **WSIX TN NASHVILLE** - 4/14 has been silent all week...suspect change to REL is imminent; channel usually open, but WWRC occasionally hrd after LSS (DS-TN)
- WYFN TN NASHVILLE** - 4/15 1st day on with new CLs and Bible Broadcasting Network, plus local anncts... (DS-TN)
- 1140 **WBXR AL HAZEL GREEN** - silent as WIXC, now back on the air with OLD format (via the bird) as *Oldies 1140*; CNN and TRN News; new address: P.O. Box 778, Fayetteville, TN 37334; new phone: 615-433-7017; signal strength (or lack of it) makes me think they've returned to old transmitter location in TN; still IDs as *Hazel Green - Huntsville - Fayetteville*, so if you need this one, better get it quick as I suspect new owners are planning to abandon Alabama completely and return to old TN identity (ES-AL)
- 1410 **WS7N AL PRATTVILLE** - 3/30 1919 XLNT with WSFA (TV-12) news and Montgomery ads (DS-TN)
- 1430 **WHNK TN MADISON** - 4/15 silent today and last night...don't know how long it's been (they often took extended SPs); not [WIZO-1380, at least not yet (DS-TN)]
- 1440 **WZYX TN COWAN** - relays WSMV (TV-4) *Scene at 6:00*; will try to get a list of other AMs relaying WSMV (DS-TN) [You're the *AMs Relaying TV News* Editor, right? - hi Ed. - TX]
- 1470 **WRQQ PA FARRELL** - 5/8 1359 ultra weak in WWWM null with 50s & 60s OLD & legal ID: *All oldies all day long...WRQQ Farrell*; had been silent as WOJY (REH-ON)
- 1490 **WAJF AL DECATUR** - has been silent for some time, but caught one Sunday with black gospel format, however never again (ES-AL)
- 1540 **KXEL IA WATERLOO** - has dropped live C&W in favor of *Real Country* satellite feed (which WKBF-1270 in nearby Rock Island, IL also uses); stn is still airing the IRN (aka *The Fred Sanders Show*) 7 nights-a-week after midnight, so KXEL hasn't completely gone down the toilet (RD-IA)
- 1580 **WWOF NC CAMP LEJEUNE** - a possible address for this is: WWOV, % Word of Faith, 1309 Lejeune Blvd., Jacksonville, NC 28540-6335; this appears to be a studio address with an STL [antenna] aimed at the transmitter site, a single tower, in a field, and the transmitter nearby; logged sign-off on 4/16 at 1945, by a man, with a mention of 10,000 watts...and *Camp Lejeune - Jacksonville*; carrier still on after 2000; how can a radio station have a "city of license" which is a military reservation? All IDs announce *Camp Lejeune / Jacksonville*, as do sign-on/-off anncts; comments? (MH-NC) [According to the FCC database, *Camp Lejeune* is the city-of-license. Whether there used to be a town with that name, or the licensee just "pulled a fast one", who knows?! This all in response to a recent report of a returned verie request to WWOV - Ed.]



UNIDS AND UNID HELP

- 800 **WDEH TN SWEETWATER** - 2/28 1930-1955 yep, that's probably it, my unID in #23...how the heck did I miss it in my own state?! (DS-TN)
- 930 **WRXJ FL JACKSONVILLE** - DS-TN's unID of 3/18 (Issue 24)...this fits perfectly; KISS-TX is a long shot (TH-CA) [Nix on KISS...except for their :00 legal ID, it's *Kool Gold 930 AM*, only - Ed.]
- 940 **KVSH NE VALENTINE** - probably RD-IA's unID of 3/9 (Issue 24); other possibilities are CJIB-BC, KBRE-UT, WLNC-NC (TH-CA)
- UNID** ?? - 4/9 2338 good - fair w/*The Rosary Program*, o/u CJGX (SA-MB)
- WINZ FL MIAMI** - fits perfectly for DS-TN's unID of 3/25 (Issue 24) (TH-CA)
- 990 **WEEB NC SOUTHERN PINES** - this was on the 1989 *Hornets* list, so may be RD-IA's unID of 3/13 (Issue 24) (TH-CA)
- 1010 **UNID** ?? - 5/3 2145 with ID as *FM-94* and *Y-94*; then C&W mx; the FM Log turned up no matches; can anyone help? (MH-NE)
- 1030 **UNID AR? FAYETTEVILLE?** - 4/6 ~2247 good with satellite C&W; probably KFAY but couldn't wait up for ID (DS-AL)
- WJKZ TN WHITE BLUFF** - 3/1 0512 definitely SA-MB's unID; this is their slogan and format and are SNN; very directional and difficult to hear here in Nashville, only 25 miles east (DS-TN)

- 1060 **WHFB MI BENTON HARBOR** - best call/format (for WKFD) match is this unID for PC-VA on 3/17 (Issue 24) (TH-CA) ...three to one odds sez this is *Perry Crabill's* unID from March 17; WHFB switched from C&W to NOS sometime last year, so the format would fit, plus the "WKFD" call that he heard sounds very familiar (RD-IA)
- 1200 **UNID** ?? - 4/14 2010-2045 in/out with UC with WOAI; one call ID sounded like *WZAB* - my guesses are WCHB-MI or WFSF-AL [an FM (DS-TN)] [According to *Broadcasting Yearbook*, WCHB-MI and *WDFX* (CLs from new *Elving FM Atlas*) 99.5 Detroit are both owned by *Bell Broadcasting Co.* ...so... [Ed.-TX]
- 1550 **KSFT MO ST. JOSEPH** - 2/21 2053 possible for RD-IA's unID; William Jewell College is in Liberty, MO (suburban Kansas City) and KSFT is reasonably nearby (DS-TN)

DX AND EQUIPMENT TESTS

- 640 **WJTZ TN BLOUNTSVILLE** - 4/15 0426-0502 fairly good with tone, CIDs and VIDs on test for NRC (HH-MD3)
- WJTZ TN BLOUNTSVILLE** - 4/15 0430-0500 weak under WNNZ with frequent CIDs & periods of 1000 Hz TT; some OC w/partial CIDs noted @ 0440 & 0449:30 (RA-MA)
- WJTZ TN BLOUNTSVILLE** - 4/15 0433+ on top w/CIDs, VIDs & mx; unn (REH-ON)
- WJTZ TN BLOUNTSVILLE** - 4/15 0446-0500 fair under WOI with TTs and various CIDs; however CIDs came in rapid-fire succession, and without a tape recorder rolling, it was impossible to try to send a report to this guy; oh, well, at least it's logged (RD-IA)
- 1160 **WYRU NC RED SPRINGS** (±100 miles from me) - not hrd on scheduled DX Test of 4/22; listened from 0535-0600, but no test or RS sign-on noted; "only" WOBM noted (MH-NC) ...test tried for, but not heard...too much WOBM/WSKW/unID; were they on? (RA-MA) ...4/22 0540-0545 tried for, but didn't hear a trace; just KSL and a weak WJJD noted (RD-IA) ...not heard (DT-ON) ...not heard (REH-ON)

KCAR RADIO
1350 KC 500 WATTS
P. O. BOX 808
CLARKSVILLE, TEXAS 75628

TIS AND NDBs

- 526 **ZLS BAH STELLA MARIS** - sent full-data PFC, letter, info sheet, photo of antenna, and 2nd letter with additional info; both letters received in 32 days for mint stamps, address label and SASE; address is *Hawkline Group (Bahamas) LTD., Stella Maris Int'l Airport, P.O. Box SM 30-167, Stella Maris, Long Island, Bahamas* (MH-NC)
- 530WNQ1579 **MD COLLEGE PARK** - this is correct QTH of WNQ1579, not Washington, DC as reported in Issue 23; every time I hear it (regularly) from my QTH, the tape loop, which is changed regularly goes: *Broadcasting from the College Park Traffic Operations Center* and also mentions *Traveller's Advisory Radio* (WN-MD)
- 161WNAT488 **MN VIRGINIA** - 4/21 0212 fair with mentions of *Iron Range Museum*, a *Blueberry Festival*, and *Virginia, Minnesota* (SA-MB)
- WNHQ550 **NC NEW BERN (and SUPPLY)** - 4/20 1518 North Carolina DOT (Division of Ferries) on recent trip to New Bern; XR site noted on I-70 (at NC-17 cross-over); male anner and 2 minute 10 second tape on *Ferry Service* available at various ports in NC (7 announced); also, sign advising to tune to 1610 noted on approach to New Bern (MH-NC) ...follow-up...sent full-data PFC (filled out in pencil, no less!) in 12 days for mint stamp and SASE (used); the Supply, NC (located SW of Wilmington and ~70 miles from here) station apparently has the same call sign; power listed is 10 watts; address is *Ferry Division, ATTN: H. Meeks, P.O. Box 40, Manns Harbor, NC 27953* (MH-NC)
- KHA520 WI LAKEWOOD** - 4/20 0640 poor with lady doing Lakewood area activities (SA-MB)
- WNH1729 WY SHERIDAN** - 4/19 0700 & 2145 fair on TIS for Sheridan; Big Horn Nat'l Park, Big Horn Mountains & Battle Box Park; USA #1000 heard! (SA-MB)

MIDNIGHT TO 0800 HOURS EDT

- 580 **WELO MS TUPELO** - 4/21 0259 fair with *WELO, Tupelo* ID noted at :00; unID Canadian with *Superstation* ID heard underneath (RD-IA)
- 610 **WDAF MO KANSAS CITY** - 4/23 0122 good, well over WZZK with C&W, 61 *Country* slogans, promo with address: 61 Country, Signal Hill, Kansas City, Missouri 64108 (differs from Log), call ID at 0123 (DS-TN)
- 640 **KFI CA LOS ANGELES** - 4/15 0430-0500 noted with two distinct IDs before and during the WJTZ DX Test, and believed the one with *The Best of Larry King* program; only bits of programming noted during fade-in over WJTZ test; 1st CA logged from NC (MH-NC)
- 690 **KHEY TX EL PASO** - 5/4 0010 *El Paso Diablos* minor league BB; uncommon on nite pattern (MH-NE)
- 820 **CHAM ON HAMILTON** - 4/23 0151 over/under WBAP with ads mentioning Burlington and Oshawa (DS-TN)
- 860 **KWPC IA MUSCATINE** - 4/12 0700 poor with SSB, sign-on info by lady; IA #58 (SA-MB)
- 920 **KYST TX TEXAS CITY** - 4/4 0258-0320 SS mx, EE ann requests, night roadwork report, call 390-5978 for requests; poor (DT-JM)
- 940 **WINZ FL MIAMI** - 4/6 0334-0344 nx; *All news, all day WINZ*; fair (DT-JM)
- 950 **WPEN PA PHILADELPHIA** - 4/30 0533 fair with local nx, anncr *WPEN Newstime is five thirty-three*; *Weight Watchers* ad (MB-MA)
- 960 **CFAC AB CALGARY** - 4/22 0630 strong with C&W mx, *CFAC* IDs; not CKKX yet (SA-MB) [See item in SPECIAL about CL change - Ed.]
- 970 **WFLA FL TAMPA** - 4/7 0010-0018 *Newsradio 970*, talk show; fair (DT-JM)
- 990 **WALE RI PROVIDENCE** - 4/30 0530 fair - good with ad for *Miller & Soto Law Offices*, ID *Covering all of Southern New England... WALE Providence, all talk all the time* - nx; never heard in Toronto despite 50 kw power (MB-MA) [That's cuz all of their 50 kws are sent out over the Atlantic at about 100° from Providence - Ed.]
- CHTX PQ MONTREAL** - 4/7 0027-0030 *All Hit Radio & 990 Hits* IDs; poor (DT-JM)
- 1040 **WFYX FL BOYNTON BEACH** - 4/7 0600-0630 GOS mx, ad for *Crazy Smitty* at 1921 Broadway; SS (likely Cuba) QRM; poor - fair (DT-JM)
- 1060 **WKNG GA TALLAPOOSA** - 4/29 0804 good with C&W, local wx from the *WKNG Weather Center* (DS-TN)
- 1110 **WHIM RI PROVIDENCE** - 4/30 0548 fair - good with promo for CNN News, *Stereo Country WHIM* ID - C&W mx; either local WUHN (Pittsfield, MA, only a few miles from Lenox) hadn't signed on or was running PSA power (MB-MA)
- 1140 **KPWB MO PIEDMONT** - 4/29 0812 poor in mess with apparent severe wx watch; *KPWB will break in...* (DS-TN)
- 1160 **WJJD IL CHICAGO** - 4/11 0050 very good with call ID, etc, well over local WAMB (DS-TN)
- 1230 **WMAF FL MADISON** - 4/17 0627 in briefly with ID & upcoming news (DV-NY)
- WESX MA SALEM** - 4/13 0700 with *...news next on WESX, Salem, Massachusetts* (DV-NY)
- WEEX PA EASTON** - 4/18 0633 news, local ad, then gone (DV-NY)
- WKBO PA HARRISBURG** - 4/18 0700 fair with legal ID (DV-NY)
- 1250 **WGL IN FORT WAYNE** - 4/23 0300 poor in WKDA splash with brief legal ID (DS-TN)
- 1280 **WNPT AL TUSCALOOSA** - 4/8 0105 good with NOS, NBC News, phone # 391-2219, community events with address 229 3rd Street, Northport; again 4/11 2250-2300 with severe ITV, but clear ID (DS-TN)
- WWOK IN EVANSVILLE** - 4/14 0610 fair with NOS mx, mentions of Louisville; IN #23 (SA-MB)
- WWOK IN EVANSVILLE** - 4/16 0044 fair with promo including 3 call IDs, local wx (DS-TN)
- 1310 **WDOD TN CHATTANOOGA** - 4/8 0043-0100 C&W; *24 hours a day WDOD*; nx at :00 (DT-JM)
- KAAM TX DALLAS** - 5/2 0540 surprisingly good on noisy morning, with female anncr saying only *K Double A M* between a *Doris Day* tune and one by *Glen Campbell*; rare down this way [Ed.-TX]

- WIBA WI MADISON** - 4/23 0159-0210+ my other big Wisconsin pest, fair - good with MOR, legal ID at 0200, CBS and local news, promo for CBS baseball; QRM from WDOD and intermittent WNQM, who was having XR trouble; darn, no local ads for the report! good northern conditions tonight (DS-TN)
- 1330 **WJNX FL FORT PIERCE** - 4/8 0200-0210 *Your WJNX weather*, Palm Beach mention, *...on South Florida WJNX*; fair (DT-JM)
- WRCA MA WALTHAM** - 4/16 0155-0205 with nx, sports, *WRCA Sports Final*; 0200 USA Radio Network Nx, 0209 *You are listening to WRCA*; poor (DT-ON)
- 1350 **KRNT IA DES MOINES** - 4/23 0130 *1350 KRNT Des Moines* ID - MBS Nx; good (DS-TN)
- 1360 **WKAT FL NORTH MIAMI** - 4/9 0257-0300 talk in FF (like a FF lesson), ID at 0300 *1360 WKAT, North Miami* in EE; fair, with slight unID Cuban QRM (DT-JM)
- 1370 **WCOA FL PENSACOLA** - 4/9 0305-0330 *Larry King Show*; poor under/over unID with CLA and TalkNet (DT-JM)
- 1380 **WRBQ FL ST. PETERSBURG** - 4/11 0637-0646 with ROK *Highway 60* mention, *Rock 105* slogan; over/under SS (Cuba) (DT-JM)
- 1400 **WFTL FL FT. LAUDERDALE** - 4/12 0055-0100 live broadcast from restaurant *...here on WFTL, live at ... (?)*, ad for AIDS comic book (DT-JM)
- WJLD AL FAIRFIELD** - 4/24 ~0132 call ID briefly over WIKY and unID UC (DS-TN)
- WFPA AL FORT PAYNE** - 4/24 ~0134 good briefly with end of SNN News, *Campbell Smith brings you the news every morning, only on WFPA* promo; Yikes! three new ones on 1400 in 5 minutes! (DS-TN)
- WWRK GA ELBERTON** - 4/24 0128 tentative in mess with UC, call ID *AM 1400 WW??*; end of call lost in mess; only 3 WW - I show are WWXX (now simulcasting WRAF(FM) with REL), WWRK (format sez C&W, but may have changed), and WWIN (just too far away!); over/under WIKY for at least 10 minutes, had to retire before ID (DS-TN) [If you can confirm this, you've got the distance record at 265 miles - Ed.]
- WIKY IN EVANSVILLE** - 4/24 0130 *WIKY-AM Evansville/Henderson?? (?)* is probably Owensboro ID in satellite OLD (DS-TN)
- WSLB NY OGDENSBURG** - 3/29 0550 with 50s and 60s oldies; clear, then overlay with CHER, Pembroke; positive ID (LK-ON)
- 1420 **WRCG GA COLUMBUS** - 4/11 0120-0153 OLD (*My Way, etc*); ID *WRCG AM*; poor with QRM from unID talk show (DT-JM)
- 1430 **WLTG FL PANAMA CITY** - 4/13 0106-0109 "This is 1530 talk radio WLTG" [copied as sent - Ed.], then Talk Net; fair (DT-JM)
- WNJR NJ NEWARK** - 5/2 0537 fair with ad for *Denny's Restaurant* - call-in show called *Great Awakening* with a number of quasi-IDs (ie: anncr said *Hello, you're on WNJR*) (MB-MA)
- 1440 **WHHY AL MONTGOMERY** - 4/24 0125 good with end of *Braves* game, then *1440 WHHY Montgomery* ID, list of local sponsors (DS-TN)
- KEYS TX CORPUS CHRISTI** - 4/13 0110-0135 with sports talk, network ads, 0135 ID *1440 KEYS*; sports news; poor (DT-JM)
- 1510 **WNLC CT NEW LONDON** - 5/1 0544 fair - poor with local wx, ad for *Wee Thee People* cassette to improve reading skills (by the same folks who offer *Hooked On Phonics*) (MB-MA)
- 1570 **WBUX PA DOYLESTOWN** - 5/1 0546 fair with local wx, many mentions of *Bucks County*, farm report (MB-MA)
- 1580 **WLIM NY PATCHOGUE** - 5/1 0531 very good with sign-on anncr preceded by SSB; this stn is a #S%*&*! pest just about anywhere I DX! (MB-MA)
- WRDD PA EBENSBURG** - 4/14 0630 poor with sign-on (no SSB) under WPGC which had just switched to day pattern/power (REH-ON)
- 0800 TO 1600 HOURS ELT**
- 1030 **KFAY AR FAYETTEVILLE** - 4/10 0810 good in strong KXEN splatter with ID after wx by female (ETH-MO)
- 1060 **WPHC TN WAVERLY** - 4/9 0810 good in mess, Waverly obits (ETH-MO)
- 1190 **WHIY AL MOULTON** - 4/29 0818 in & out with WGKA and WOWO with local talk, *...here on AM 1190 WHIY* call ID (DS-TN)

- WGKA GA ATLANTA - 4/29 0818-0831 good at times, in & out with WHIY and WOWO with CLA, WGKA Weather Forecast, 0931 TC (DS-TN)
- 1320 WAGG AL BIRMINGHAM - 4/29 0840 good with B:GOS, local talk & community events, Birmingham severe thunder storm warning (DS-TN)
- 1450 WASK IN LAFAYETTE - 4/5 1000 very good with WASK, Lafayette ID - local temps and nx (RD-IN)
- 1490 WDAN IL DANVILLE - 4/5 0945 good with *Where Am I?* contest being played by about 3 different announcers; listeners were invited to call in with correct answers (RD-IN)

1600 TO 2400 HOURS ELT

- 540 WSTH GA COLUMBUS - 4/14 2101 good with end of ID/promo mentioning Opelika, Auburn, LaGrange, and several other cities near Columbus, followed by *The South* countdown, then - syndicated country countdown (DS-TN)
- WYLO WI JACKSON - 4/25 2110-2127 XLNT with REL mx; *Your Christian Connection* (RRD-IL)
- 550 KUSA MO ST. LOUIS - 4/25 2128-2137 poor - fair under null of WIND; C&W mx; completely lost it completely after 10 minutes (RRD-IL)
- 570 KLIF TX DALLAS - 4/6 2133 good, well over WVMi with TC, PSA, promo for new frequency/signal (DS-AL)
- 580 WKTY WI LA CROSSE - 4/25 2140-2151 fair - poor, faded in & out very fast; gave sports scores, then - C&W (RRD-IL)
- 590 WRAG AL CARROLLTON - 3/30 1944 fair over/under Cuban and unID C&W with talk, slogan *From the motivating 59*, WRAG (DS-TN)
- WKZO MI KALAMAZOO - 4/25 2152-2218 fair - good with *Tigers* BB; legal ID at :00 (RRD-IL)
- WOW NE OMAHA - 4/25 2152-2153 poor; quickly gone under WKZO (RRD-IL)
- CKYC ON TORONTO - 4/10 2358 poor with C&W mx, *Country 59* IDs; ex:CKEY; ON #79 (SA-MB)
- 600 WMT IA CEDAR RAPIDS - 4/25 2218-2300 good with auction program, with some great deals! I only wish I was closer, too far to drive there to bid on anything! (RRD-IL)
- 630 WBMQ GA SAVANNAH - 4/6 ~2257 good with talk, promo for WBMQ program schedule (DS-AL)
- 680 WCNN GA NORTH ATLANTA - 4/6 ~2255 good with CNN Headline News, over/under unID OLD stn (probably WODZ) (DS-AL)
- WRGC NC SYLVA - 3/30 1947 poor, just slightly over WPTF with satellite C&W, *AM 680 WRGC* call ID (DS-TN)
- 710 KGNC TX AMARILLO - 5/8 2100-2125 with *Rangers* MLB; no sign of WHB, WLW or WGN; this time of year WGN comes in better about anytime during the day than at early evening (BS-NE) [Wish I could say the same about WGN, hi - Ed.]
- 730 WOHS NC SHELBY - 4/14 2059 very good with *Carolina Sports Network*, legal ID *WOHS Shelby* (DS-TN)
- 790 WTSK AL TUSCALOOSA - 4/4 2127 fair with UC, 790 TSK slogan, promo for something with phone # 345-12?? (DS-TN)
- WTNY NY WATERTOWN - 4/10 1954 with tunes *Proud Mary* and *Tonight I Celebrate My Love*; mixing with a couple of others, but easy to pick out, then fade; positive ID (LK-ON)
- CIAO ON BRAMPTON - 4/23 2211 poor with ethnic pgm, talk pgm in Italian for ON #80 (SA-MB)
- 840 KVJY TX PHARR - 5/9 2319 NOS mx, ID and ads; little WHAS QRM (MH-NE)
- WKTR VA EARLYSVILLE - 4/3 1844 GOS or C&W mx, then - sign-off annc; fairly good; hrd after WKDI sign-off (HH-MD1)
- 850 WYDE AL BIRMINGHAM - 4/11 2236 in & out with GOS, *Progressive Christian Radio Y-85* slogans; tent (DS-TN)
- 910 KVIS OK MIAMI - 5/4 2244 ID followed by wx 4cast then C&W mx; 1st time hrd with these CLs (MH-NE)
- 940 WMIX IL MOUNT VERNON - 4/19 22004 [sic - Ed.] fair with wx forecast, lite ROK mx, *AM-94* ID; IL #58 (SA-MB)

- 960 CFFX ON KINGSTON - 5/6 2149 with Broadcast News, MoR mx, positive ID; strong QRM from CKCH, Hull, PQ in FF (LK-ON)
- 990 WIVK TN KNOXVILLE - 4/6 ~2250 good with C&W, call IDs (DS-AL)
- 1010 WINS NY NEW YORK - 4/26 2345 with news, ID as *1010 Wins*, under 50kw local CFRB (MS-ON1)
- 1030 WJKZ TN WHITE BLUFF - 5/5 2230 fairly common now in late evening and night; fair with C&W and even some NOS thrown in (MH-NE)
- 1050 WLIP WI KENOSHA - 5/1 2138-2146 good with AC mx, also talked about bootleg copies of movies people are making with camcorders in theaters (RRD-IL)
- 1100 KDRY TX ALAMO HEIGHTS - 4/3 2000 very weak during aurora with REL, then faint ID ... *weekdays on KDRY...* (ETH-MO)
- 1120 WADN MA CONCORD - 4/28 2200 poor in KMOX null with long sign-off annc by female, mentioning programming provided by CBC, BBC and other international sources, no SSB; not needed, hrd on 1990 CPC test (MB-NY)
- 1140 WQBA FL MIAMI - 4/3 2015 XLNT, no trace of WRVA; SS talk/ads, clear SS ID, mention Broward, Hialeah; nice (ETH-MO)
- 1190 WOWO IN FORT WAYNE - 4/26 2256 with *The All-Night Oldies Party*, positive ID; very strong with lots of spillover from CFGO (LK-ON)
- KUII TX DALLAS - 4/6 ~2155 good with CNN Nx, call IDs; I forget if these guys' new CLs were resolved - if not...they're definitely KUII (DS-AL)
- 1230 WJOY VT BURLINGTON - 4/15 1920 good with ID - sports (DV-NY)
- 1250 WEMP WI MILWAUKEE - 5/1 2155-2216 good with OLD mx; legal ID at :00; Robert M. Chenault was DJ (pretty formal name, huh?); had promo for a '65 Corvette they're giving away! wx at :14, then back to OLD (RRD-IL)
- 1260 WCEO AL BIRMINGHAM - 3/30 1827 fair in mess with BRN biz call-in show, *AM 1260 WCEO, Birmingham's Business Station*; ex: WCRT (DS-TN)
- WSUA FL MIAMI - 4/6 ~2155 fair with R. Suave slogans, ads with 7-digit phone #s, talk about *Calle Ocho* (main street in Miami Cuban area) (DS-AL)
- 1270 WEIC IL CHARLESTON - 4/4 2356 briefly over mess with annc ... *here at Country 1270 WEIC* and - C&W mx (DS-TN)
- 1280 KDKD MO CLINTON - 5/7 2200 fair - poor in KOIL splash with mx and ID at :00; new (MH-NE)
- 1290 WKNE NH KEENE - 4/24 2107-2116 *Red Sox* BB post-game show, 12 at 2107 [??-Ed.], ... *WKNE...*; over WHIO; WNBF took over at 2116 (DT-ON)
- 1300 WQBK NY RENSSALEAR - 4/24 2130-2200 with TalkNet, local ad, *John Drainer Capitol Sports weekdays at 6:30 on Newstalk Radio WQBK*; over 2 unIDs (DT-ON)
- 1310 WDOD TN CHATTANOOGA - 4/6 ~2235 fair with satellite BBD, call ID (DS-AL)
- 1320 CJMR ON MISSISSAUGA - 4/25 2240 end of *BlueJays* game, positive ID; very weak and fade (LK-ON)
- 1340 WNHC CT NEW HAVEN - 4/24 2358-0020 OLD, 0020 *WNHC 1340*, wx *WNHC*, breakthru.; poor over/under WSTJ, unID with *Larry King*; poor (DT-ON)
- WSTJ VT ST JOHNSBURY - 4/24 2358-0005 sudden breakthru with *You're listening to WSTJ, St. Johnsbury, Vermont...it is 12:00*; CBS Nx; fade-out at 0003; over/under WNHC; SSB hrd at 0005 (DT-ON)
- 1360 KFFA AR HELENA - 4/2 2000 good atop with blues mx show; surprisingly strong (ETH-MO)
- 1370 WEYZ PA ERIE - 4/10 2158 with *The Music of Your Life* tune *Little Green Apples*; QRN, overlay with another station, strong to fade (LK-ON)
- 1380 WAOK GA ATLANTA - 4/6 ~2230 very good with ID, B:GOS (DS-AL)
- 1370 WLTH IN GARY - 4/23 2137 good with promo for *Hoosier Lottery* and ad for *Northwest Indiana Black Art Exposition* in Gary (RD-IA)
- 1390 WXTC SC CHARLESTON - 4/6 ~2205 good with *98FM WXTC* slogans, CHR/OLD mx (DS-AL)
- 1400 WHNP MA NORTHAMPTON - 4/23 2335-0105 TalkNet, local ad 0104 for *Mass Office of Travel & Tourism*; poor (DT-ON)
- 1410 WPOP CT HARTFORD - 4/25 2159 ad for *Middletown Furniture* store closing, ABC News, K-Mart ad, ABC Info-Net, ID; lots of QRN and clutter (LK-ON)
- 1440 WCDS KY GLASGOW - 4/14 1844 fair with C&W mx, brief call ID (DS-TN)

- WFTQ MA WORCESTER** - 4/17 2216-2230 & 2330-2400 ROK mx, WAAF Challenge, WAAF, untamed radio; local ads incl Davers, Mass; finally at :00 WAAF 107.3, so relaying FM operation (DT-ON)
- 1450 WLEC OH SANDUSKY** - 4/18 2000-2030 Cleveland vs Texas MLB; CBS Sports news 12:10 & 2 other time on WLEC, get tickets at Mr. Hero's Restaurant, poor, under/over 2 unIDs (DT-ON)
- WLAR TN ATHENS** - 4/4 2231 brief call ID over mess, promptly destroyed by WKGL fadeup (DS-TN)
- 1460 WMFX NC LAURINBURG** - 4/13 2251-2300 Carolina's best , ad for firm on Cedar Creek Road, ad for jewelry store; All-news WMFX and All new Saturday night hot mix ; fair (DT-JM)
- 1470 WRBD FL POMPANO BEACH** - 4/13 2306-2330 SS mx, ID in EE at :30 1470 WRBD; poor under WRGA (DT-JM)
- WRGA GA ROME** - 4/13 2306-2330 Jim Bohannon Show, MBS Nx; fair over WRDB (DT-JM)
- WOHO OH TOLEDO** - 4/10 2115 with POP mx, ad for Northwest Ohio Bone and Varicose Vein Clinic; very weak under CHOW with positive ID; fade (LK-ON)
- 1480 WMIB FL MARCO ISLAND** - 4/13 2334-0005 TalkNet; nx at :00, local nx, Dade County mention, ...24 hours a day news talk, 1480 (DT-JM)
- 1500 WKAX AL RUSSELLVILLE** - 3/30 1841-1900 poor in WLAC splash with GOS, ad for Mead's Electronics & Computers at 332-6861; 1900 sign-off with Alabama mention, Battle Hymn of the Republic (instead of SSB); this is a very difficult channel to DX due to WLAC about 4 miles and 10 kHz away (DS-TN)
- WLQV MI DETROIT** - 4/19 2038-2045 S.W. radio church program, ad for gospel record Resortatio next on WLQV; way over top of WTOP, 1st time in a long time! (DT-ON)
- 1520 KJIA SD SIOUX FALLS** - 4/20 2115 weak with ContChr mx - sign-off: KJIA Sioux Falls now signs off.; 1st Sioux Falls catch at this QTH (RD-IA)
- 1550 WRHC FL CORAL GABLES** - 4/2 2030 xint with TLK by man & woman, ad, SS ID then woman did taped EE ID, WRHC Coral Gables, Miami, Hialeah (ETH-MO)
- 1560 WPAD KY PADUCAH** - 4/4 2153 good over WQXR with BBD/EZL, legal ID @ 2200; one other unID BBD/EZL in there too (DS-TN)
- 1570 CFOR ON ORILLA** - 4/10 1949 BlueJays game & You're catching BlueJays baseball on 1570, CFOR; Panasonic and Cadillac ads; clutter, fade, positive ID (LK-ON)
- 1590 WQQW CT WATERBURY** - 4/10 2053 CNN Headline News, sports scores, song Blueberry Hill; overlay with WAKR; positive ID (LK-ON)
- WONX IL EVANSTON** - 4/20 2345-0103 SS talk; 0030 breakthru Radio Pastor, 0100 ...WONX... in EE; poor under WAKR, WASB, unID (DT-ON)
- WAKR OH AKRON** - 4/26 2137 fair with Cleveland Indians vs Texas Rangers with Nolan Ryan pitching (RD-IA)
- 1600 WEUP AL HUNTSVILLE** - 4/14 1939 poor in QRM; announcement with Huntsville address, Magic 16 slogan (DS-TN)
- WXVI AL MONTGOMERY** - 4/4 2147 fair over/under unID blues station, with B-GOS, promo for Bahamas trip contest with WXVI call mentions, Montgomery & Prattville addresses; Sunshine 16 WXVI Montgomery ID at 2:152 (DS-TN)
- WJQI VA CHESAPEAKE** - 4/8 1854-1922 good, atop the channel much of time; some WAYC QRM and unIDs; Love songs on Joy 95 + ads and wx (HH-MD2)

THIS MONTH'S REPORTERS

- ETH-MO EARL HIGGINS//ST. LOUIS, MO//Superadio, ICF-6500W
- DV-NY DON VOORHIES//OSWEGO, NY//tuned ears
- DT-ON DON TRELFOED//Scarborough, ON//DX-440 + wire or DT-JM basking in the Sun at Runaway Bay, Jamaica/DX-440 + LW
- MH-NC MIKE HARDESTER//Camp Lejeune, NC// (3 reports!)
- RA-MA RAY ARRUDA//Acushnet, MA//HQ-180A, Radio West Loop
- DS-TN DOUG SMITH, W9WI/4//Nashville, TN or DS-AL on the road in Mobile, AL//
- HH-MDx HANK HOLBROOK//Dunkirk, MD//1 = SP-600 + Colgrove Loop or 2 = DX-440 + 30' basement antenna or 3 = DX-440 + Colegrove Loop
- RUGG ANDY RUGG//on the road in Windsor, Quebec//87 Chrysler LeBaron

- SA-MB SHAWN AXELROD//Winterpeg, MB//R-70 + 100' LW or 3' loop
- RD-xx RICK DAU//IA = Iowa City, IA//R-1000 + RW Loop//IN = on U.S. 24 near Kentland, IN//Ford caradio
- RRD-IL "RANGER" RICK DETTMANN//Buffalo Grove, IL//Superadio II + Select-A-Tenna
- ES-AL ED SOULE//Huntsville, AL//
- REH-ON CHARLES REH//Leamington, ON//R-390A + Sanserino Loop + TR-3000 open reel tape recorder
- WN-MD WALTER I. NISSEN, Jr.//Silver Spring, MD//CFS-1000 + Select-A-Tenna
- MB-MA MIKE BROOKER//Dxing between yoga classes at an ashram (yoga retreat) in Lenox, MA//ICF-7600D or MB-NY in Syracuse, NY//ICF-7600D
- BS-NE BOB STRAUBE//Palmyra, NE//Superadio
- LK-ON LAURENCE KEARLEY//Orleans, ON//ICF-SW1 barefoot
- MH-NE MIKE HAWK, K80GXE//Omaha, NE//R-1000, ATS-803 + 2' loop
- MS-ONx MORRIS SORENSEN//1 = Scarborough, ON//TRF-655 barefoot or 2 = Kemptville, ON// RF-65B barefoot
- Ed.-TX Your editor, N5SZC/mile marker 220 on I-35 near Buda, TX//87 Delco ETR

GYDXA UPDATE

1400 kHz:
WJLD AL Fairfield Doug Smith Nashville, TN 183

1450 kHz:
XEJM NL Monterrey Mike Hawk Omaha, NE 1106

Totals:	1230	1240	1340	1400	1450	1490	Total
DON VOORHIES Oswego, NY	31	19	28	26	24	38	166

ABBREVIATIONS AND SPECIAL SYMBOLS USED IN DDXD-E

|| :parallel with or to ~:to or into :00:on the hour AC:Adult contemporary AP:Associated Press BBD:big band BRN:Business Radio Net C&W:country & western CHR:contemporary hit radio CID:code ID ContChr:contemporary Christian EZL:easy listening EE:English FF:French GOS:gospel IRN:Interstate Radio Net jx:jingle LSR:local sunrise LSS:local sunset MLB:major league baseball mx:music nx:news NPR:National Public Radio OC:open carrier ptp: play-by-play PSRA:pre-sunrise authority PSSA:post-sunrise authority QRM:man-made interference QRN:natural interference QTH:location REL:religious ROK:rock 'n' roll RS:regular schedule S:stereo SD:singing ID SRS:sunrise skip SS:Spanish SSB:Star Spangled Banner SSS:sunset skip TC:time check TT:test tones UC:urban contemporary UPI:United Press International wx:weather



P.O. Box 427, Keokuk, Iowa 52632

73, Bill

IN THE BEGINNING

BY JOHN D. BOWKER

THIS IS THE COMPLETE LIST OF U. S. BROADCAST STATIONS ON THE INDICATED FREQUENCY AS PUBLISHED BY THE FEDERAL RADIO COMMISSION IN 1934. "S" MEANS SHARED; "SH" MEANS SPECIFIED HOURS; "T" INDICATES TRANSMITTER LOCATION; "D" MEANS DAYTIME OPERATION ONLY; "U" MEANS UNLIMITED TIME.

Frequency (kc)	Call letters	Main studio and transmitter location	Power	Time designation
1010, regional (Canadian shared).	WHN	New York, N.Y. T—Astoria, I.L.	250 w	S-WRNY, WQAO-WPAP.
	WQAO-WPAP	New York, N.Y. T—Cliffside, N.J.	250 w	S-WRNY, WHN
	WRNY	New York, N.Y. T—Coylesville, N.J.	250 w	S-WHN, WQAO-WPAP.
	WNAD	Norman, Okla	500 w	S.H.
	WIS	Columbia, S.C.	{500 w 1 kw LS	U.
	KGGF	Coffeyville, Kans. T—South Coffeyville, Okla.	{500 w 1 kw LS	S.H.
	KQW	San Jose, Calif	500 w	U.

Domestic DX Digest - West

DX Catches in the Western U. S. and Canada, with 24-hr. ELT

Wayne Heinen

4131 S. Andes Way
Aurora, CO 80013
FIDO NET 104/108
(303) 699-6335 (prepaid only)

Special!

650 KMCE/KRCX (?) CA Rancho Cordova
4/19 2255 SS Mx, ID @ 2300 "KRCX, Roseville-Sacramento and KMCE, Rancho Cordova - Stockton" o/CISL. (NH/BH-WA) 4/29 Good w/ SS MX. Slogan/ID hrd often "Desde la Sierra hasta la playa, su radio completa es K-R-C-X, el súper 6-50." (TH-CA2) Please note that TH says (ex-1110) for the KRCX call and NH/BH say new on air w/ KRCX & KMCE running // Log Shows the New On Air is what we've got. Comments/Corrections ?? -ed

1580 KBLA CA Santa Monica
4/18 0313 Fair w/ BRN. Announcer welcoming KBLA to BRN. Better signal than KDAY. Still mixed w/ KCWW/XEDM. (ex-KDAY) (TH-CA)

Midnight to Midday!

1340 KISTt CA Santa Barbara
4/22 0353 Apparently them w/ "Magic 106" FM. Slogan matches sister FM KMGQ-106.3. (TH-CA)

1450 KEST CA San Francisco
4/15 0400 Dual ID KEST and KOBO 1450 Yuba City. New simulcast arrangement? Assume this was KEST, as they often dominate and KOBO has never been logged here. (Might have been ID's one atop the other too-ed) (TH-CA)

Midday to Midnight!

980 KUTI WA Yakima
4/20 2223 Fair w/ "Country Gold Saturday Night". (NH-WA)

1340 KWVV WA Wenatchee
4/27 2338 End of ad. "We're your home of Good Time Rock 'n Roll, If it's Oldies It's 13-40 K-W-3" Poor in the mess. (NH-WA)

TIS

530 WNSB415 CA San Ysidro
4/18 1658 Excellent on car rx in San Juan Capistrano w/ tape loop about aliens crossing Freeways. Mixed w/ Disneyland & Burbank Airport. No sign of HAR from Mission Viejo-El Toro. (TH-CA3)

530 WNIH810 CA Simi Valley
4/18 1838 Good along US 101 & I 405. Info on 24hr Food/Gas/Phone availability and earthquake Info. My ID from home last year. Operated by Simi Valley PD (TH-CA3)

530 WNFG219 CA Anaheim
4/18 1700 Back on Air w/ Disneyland and Anaheim Convention Center Info. (TH-CA3)

1610 KNEC996 CA Ft. Tejon ?
4/19 0000-0300 Fair w/ Male Ann. Tape loop about I-5 thru Tejon Pass. (TH-CA4) 4/29 0643 Nice signal off back of SE beveridges. (TH-CA2)

1610 KHA519 WA Naches
4/30 0330 Woman gave call, List of open campgrounds. Poor to nil w/ Static. FTH. (NH/BH-WA)

CONTRIBUTORS!

(BH-WA) Bill Hardy Aberdeen, WA - FRG-7, Radio West Loop

(NH-WA) Nancy Hardy Aberdeen, WA - FRG-7, Radio West Loop

(TH-CA) Tim Hall Chula Vista, CA - ICF-2010, Radio West Loop

(TH-CA3) Tim Hall I-5/I-405/US 101 San Diego-Morro Bay Delco Car Rx

(TH-CA4) Tim Hall Morro Bay - ICF-2010, Radio West Loop, Car RX

(TH-CA2) Tim Hall San Diego, CA - ICF-2010, 1500' LW, 2700' LW

The Topeka Capital Journal -via Paul Swearingen

top of the former WREN building, will be sold to raise money for the renovation of the building, Wilson said. Wilson said the WREN call letters may also be sold to the highest bidder.

The WREN park, a small area just outside the large glass windows on 10th street where WREN disc jockeys hosted parties, will likely be taken out. He said an entrance to Joy 88 will be put in the 10th street side.

Joy 88 went on the air Aug. 31, 1985. It broadcast to a 55-mile radius of Topeka and recently applied for an increase in power of 100,000 watts.

WREN-AM first went on the air June 15, 1926, in Lawrence, as part of the University of Kansas. It became a Topeka station in 1947.

From 1952 until 1982, the station was owned and operated by former Gov. Alfred M. Landon. Landon had his offices for many years in the older portion of the building and worked there on a daily basis until the station was sold in 1982.

1957. An original two-story residence turned into office space will be leased out. The leased area is about 2,000 square feet.

"This kind of broke us and now we'll have to raise some money to fix it up," he said.

Wilson said the radio station area will need extensive renovation, which he said he hopes would be done this summer through volunteer work.

Wilson said he doubted the radio station would be able to move in until at least September. Joy 88, which has the call letters KJTY, is presently in leased space at 2519 N.W. Topeka Blvd.

The large WREN bird, perched on

By ANITA MILLER
The Capital Journal

Music will once again be generated from the corner of 10th and Fillmore — the former home of WREN-AM, Topeka's 61-year-old AM radio station that went off the air in 1987.

Officials of Joy 88, a Christian music radio station, said Friday they have purchased the WREN building from Westinghouse Credit Corp., and plan to renovate the facility into a home base for its station.

Warren Wilson, station manager for Joy 88, said the station paid \$50,000 for the building. He said the radio station will be located in a one-story, 2,000-square-foot area that was added to the structure in

Joy 88 buys WREN radio

Wayne Heinen

4131 S. Andes Way
Aurora, CO 80013
FIDO NET 104/108
(303) 699-6335 (prepaid only)

International DX Digest

Foreign DX Catches. Times are UTC; for ELT, subtract 5 hours

Jim Renfrew

61 Wilcox Street
Rochester, NY 14607-3832

The summer DX dolorums have set in, at least in Rochester, because I haven't touched the dials in weeks. BUT, there are still reports rolling in. Let's think positive about the summer, maybe its only a twisted rumor that DX possibilities are reduced, and we've been missing out on New Zealand and Chile for years without realizing it!

Cesar Obispo, our Caribbean correspondent, presents his annual "Santa Semana" (Holy Week) monitoring results. Many DR stations are off the air during this time. Thank you, Cesar, for your translations, details of advertisers, and current slogans.

Thanks to Don Trelford for a Jamaica bandscan which will appear whenever Paul S. has room.

PAN-AMERICAN

540 MEXICO XETIN, Tijuana BCN 1244 4/29 MM. New Station signed on this morning w/100% automated operation, mostly SS AC so far. No ads yet. Slogan "R. 540" o/marimba mx theme after every song. Call letter ID every 15 or 30 minutes. Power unknown, but I would guess about 5 kW. There was never a CP listed for this. New. Schedule for this new station is 1200-0600 summer, 1300-0700 winter. Still no mention of power. Clean signal, but it still ruins 4 TIS stations on 530, KJQI-540 and SDSU's carrier current KCR-550. [TRH-CA2]

590 VENEZUELA R. Continente, Caracas 0414 3/29. I have not heard this station for a long time, now very strong, almost like a local, w/pop mx. [CO-DR]

590 MEXICO unID 1059 4/29 MM. XE anthem (more than one verse), rooster crows. faded during possible ID and ads by woman. Most likely unneeded XEE or XEFD. Can anyone in CO or TX help with this? [TRH-CA2]

620 COLOMBIA Colmundo R. 0500 3/29. ID, w/typical Colombian mx, bambucos, guavinas, etc. Freq usually covered by RTVD. [CO-DR]

640 VENEZUELA Ondas Porteñas, Pto La Cruz 0109 3/30. Heard IDing as "24 horas, Porteñas, seis cuarenta (6-40), and pop mx. [CO]

680 MEXICO XESON, Hermosillo SON 0657 4/8, 0558 4/11, 0558 4/12, 0557 4/14. Finally caught the ID on this after tip from John Wilkins that the station was now on until 0700. Station carries ACIR network feed most of the night, including an XE anthem from the net around 0600. Back to the net feed after 0600 but there is usually an ID in there somewhere before 0700 s/off. (Occasionally they s/off at 0600). ID "R. ACIR en Hermosillo, Sonora -- XE-Son". New, tried every night for a month before I got the ID. [TRH]

690 ANGUILLA Caribbean Beacon, The Valley 0115 3/30. Religious program, all English. [CO-DR]

690 MEXICO XECS, Manzanillo 0733 4/8 MM. Usual programming boking through local XETRA with "La Grande de Manzanillo" slogans. Somebody else should be hearing this besides me! [TRH-CA]

690 MEXICO Tijuana (XETRA) 0822 4/22 MM. Off, leaving KHEY, XECS, and unID (probably CBU). [TRH-CA]

730 MEXICO XEX, Mexico DF 0730 4/8 MM. ID, followed by slogan "La Super Grande" and promo announcement mentioning they are back on 24 hr sked. [TRH-CA]

740 VENEZUELA R. Maracaibo 1604 3/29. ID, w/ads for "Prevención Semana Santa 91" w/info about the roads and beaches of Venezuela during holy week. [CO-DR]

760 COLOMBIA RCN, La R. de Colombia, Barranquilla 1600 3/29. ID on the exact hour, time pips, announcing "Noticiero RCN", then mx and ads for "Suramericana" (life insurance), "radio por satelite." Again IDed at 1656 as HJAJ, RCN, Barranquilla "la radio por satelite de Colombia." Only Colombian station now heard in Santo Domingo in daylight, w/R. Cordillera off. [CO-DR]

760 MEXICO XEEB, Esperanza 0713 4/19. Fair through KFMB w/"E-B La Rancherita" slogans. [TRH-CA4]

770 MEXICO XEATH, Monterrey 1103 4/9. Weak w/KKOB w/s/on: "Con una potencia de 5000 watts, XEATH." Two more IDs noted at 1158. RAN/AC format. Took a year to finally catch the ID on this. New. [TRH-CA]

- 770 MEXICO UNID 1045 4/9 Tu. UNID w/nondescript songs, male DJ. Weaj=k and way u/KKOB. XE anthem at 1200, drowned out by XEIH s/on at 1201 w/anthem. Nothing listed should be on at this hour. [TRH]
- 780 VENEZUELA R. Coro 1553 3/29. ID and pop mx w/a record by "4-40", a well known musical group in the Caribbean area. [CO-DR]
- 810 BAHAMAS ZNS-3, Freeport 1030 4/12 and 0720 4/24. Usual religious programming u/KGO. I still don't know why no one outside of San Diego hears this! [TRH-CA]
- 820 VENEZUELA R. Guadalupana, Coro 1700 3/29. With some ads, IDed w/a chorus then pop mx. This is a move from 1540 kHz. [CO-DR]
- 820 MEXICO UNID 1235 4/9. "La Poderosa" noted here again, likely XESB. [TRH-CA]
- 830 BELIZE Belize City 1109 4/29. Fair signals w/IDs by man. Always nice to hear this one. [TRH-CA2]
- 830 MEXICO UNID 0245-0416 4/30. Opera and CLA mx way u/XELK. Has to be needed XELA; extremely tough to get an ID. [TRH-CA2]
- 840 HAITI 4VEH, Cap Hatien 0047 3/29. With religious chanting; a male chorus singing. Very strong, not usually heard in Santo Domingo. [CO-DR]
- 850 VENEZUELA RD 850, Carabobo 0041 3/29. ID, then local nx and pop mx, good. My old WRTM does not have any Venezuelan station here, but this one is located at Carabobo, as announced. [CO-DR] (César, A recent report from the ARC [DXN 518-24] stated that "RV", R. Valencia, has been testing here. It is listed in the back of the 1991 WRTM as well - Jim)



- 850 PUERTO RICO R. WABA, Aguadilla 1705 3/30. With talks about the political situation in PR. [CO]
- 860 VENEZUELA Enlace B-60 Station IDing "Dondequiera que usted va 'Enlace B-60' se escucha más (meaning wherever you go, Enlace B-60 is heard more)." Supposed to be R. Visión, San Cristobal. It is not usually heard here because of R. Clarin. [CO-DR]
- 860 NETHERLANDS ANTILLES R. Curon, Willemstad, Curacao 1655 3/30. With many ads in Papiamentu, w/R. Clarin off. [CO-DR]
- 880 PUERTO RICO R. 8-80, Sabana Grande 1555 3/29. With religious program ID. [CO-DR]
- 880 MEXICO XEV, Chihuahua 1155 4/29 MM. Fair-good w/XE anthem, IDs and "R. Sensación" slogans. [TRH-CA2]
- 880 MEXICO XETC, Torreon 1159-1214 MM. Excellent w/slow XE anthem to 1201, TC and ID by woman: "XETC, Estereo Mayran, La Imagen del Sonido, transmite en los 880 kHz de AM, con sonido estereofonica, 10 kW de potencia, en Torreon, Coahuila, telefono 12-68-68." Frequency change (ex-1240) and big power increase. New. [TRH-CA2]
- 910 PUERTO RICO Notiuno Mayaquéz 2036 3/29. ID, local nx and ads. [CO]
- 930 PUERTO RICO R. Eco, Cabo Rojo 1650 3/30. With an interview of some telephone employees opposing the sale of the telephone company, and IDed as "Notiuno." Ads for Farmacia Encarnación. Usually blocked by local station. [CO-DR]
- 940 VENEZUELA R. Fé y Alegría 0100 3/29. IDed exactly on the hour "Transmite R. Fé y Alegría" after end of a pop record. [CO-DR]
- 940 PUERTO RICO WIPR, (V del Pueblo, San Juan 0102 3/29. On moving my TRF I heard this one presenting a program w/PR singers. [CO-DR]
- 940 VENEZUELA R. Punto Fijo 1543 3/29. With pop mx, ID. "lambada", and ads. [CO-DR]
- 950 VENEZUELA R. Visión 9-50, Caracas 0055 3/29. ID in a program of pop mx. This freq usually covered by local R. Popular. [CO]
- 950 MEXICO XEKAM, Tijuana 0700 4/14. Gigantic noise spurs on 940/960 tonight instead of usual 880/1220. Easily separable, and much louder than the primary signal on 950! I only count one

- high spur and one low spur in my totals, otherwise I'd have counted this station 15 times by now! XEKAM is now running oldies at night, as per tip from Gary Larson. Station wants to double power to 20/10 kW, but is installing a new ground system so maybe they'll clean up their act. Spurs continue 24 hrs a day. [TRH-CA]
- 950 MEXICO XEPB, Hermosillo SON 0458 4/8 MM. Full ID through local XEKAM OC/noise. Network is Radio, S.A. (shown on list w/abbreviation RDIO, not R. ACIR as previously listed). [TRH-CA]
- 960 ARUBA R. Victoria, Oranjestad 2040 3/29 and 1645 3/30. With a religious program. Also ending program in English, the instrumental mx. [CO-DR] (César, the 1991 WRTM shows ARUBA as a country how separate from the Netherlands Antilles; you got a new one! - Jim)
- 990 MEXICO XEER, Cuauhtemoc 1132 4/29 MM. Huge s/on w/distorted XE anthem, ID by man and "Sistema R. Lobo" jingles. SP and local Indian languages by heavily accented man. Apparent new s/on time. [TRH-CA2]
- 990 MEXICO XET, Monterrey 1111-1131, 4/29 MM. Poor, w/XETG and XEER OC. Call letter ID by man at 1131. Fairly rare. [TRH-CA2]
- 990 MEXICO XETG, Tuxtla Gutierrez 1111-1132 4/29. Fair-good signals but fading, mixing w/XET. Female DJ, amn w/ads for a pharmacy and bank in Tuxtla Gutierrez. Marimba mx noted at times. Killed by XEER s/on at 1132. New, an excellent deep-south XE catch. [TRH-CA2]
- 1000 VIRGIN ISLANDS R. One, St. Thomas 0120 3/30. With a murder drama, many sound effects. [CO-DR]
- 1000 MEXICO XEMIL, Los Mochis 0500 4/8 MM. Noted w/NRM network programming // 6010 SW. If you hear the SW parallel do not assume you've got Mexico City, as Los Mochis, Mazatlan, or any number of other stations can carry the same program. [TRH-CA]
- 1020 VENEZUELA R. Calendario, Maracaibo 0432 3/29. Very good w/pop mx and a good ID. [CO-DR]
- 1070 MEXICO XEOBS, Cd. Obregon 1214 4/29. Fair u/KNX w/XE anthem, s/on, IDs. [TRH-CA2]
- 1150 COLOMBIA UNID 0353 3/29. Station heard IDing as "las diez cincuentitas, hora Total de

- Colombia" (10:53, Total time in Col.) in the program "Música del Recuerdo" with old romantic LA songs. Name of the station is supposed to be R. Total, no location mentioned. First time heard. [CO-DR] (3 Col. stations listed in 1991 WRTM - Jim)
- 1150 VENEZUELA R. Mundial Caribe, Punto Fijo 1534 3/29. Pop mx and lots of ads for enterprises in the Paraguaná Peninsula where Punto Fijo is located. Greetings to "temporadistas" (people vacationing during Holy Week, from the word "temporada" - season). [CO-DR]
- 1170 VENEZUELA R. Mil Setenta (1070), La Guaira 1528 3/29. With pop mx and ads. Even though they are on 1170 they ID as R. 1070. [CO-DR]
- 1200 VENEZUELA R. Tiempo, Caracas 1520 3/29. ID following ns and local ads w/some DRM from an unknown station. [CO-DR]
- 1210 VENEZUELA Anzoátequi, Doscientos Diez (1210), Barcelona 0539 3/29. ID w/pop mx, very good. [CO-DR]
- 1290 VENEZUELA R. Puerto Cabello 1516 3/???. "Una emisora distinta" w/pop mx and beach info. [CO-DR]
- 1300 VENEZUELA R. Reloj, Maracaibo 0348 3/29. ID as "el primer lugar es de Reloj en 1300 AM" and pop mx, including a Dominican merengue. [CO-DR]
- 1310 VENEZUELA R. Nacional de Venezuela 1603 3/30. ID after a short newscast, then announced other programs including the Concert for Bangla Desh in New York. Not listed in the 1989 WRTM. [CO-DR] (1991 WRTM shows two stations in Barcelona (20 kW) and Guri (10 kW) which relay R. Nacional 630 in Caracas - Jim)
- 1320 ARUBA VO Aruba, Oranjestad 1600 3/30. Pop mx, Papiamentu, but musical recording in Spanish. [CO-DR] (see note on 960 - Jim)
- 1340 COLOMBIA R. Uno, Bogotá 0343 3/29. Lots of "vallenata" mx, ID, and also mention of "RCN, R. Uno." [CO-DR]



- 1340 **VENEZUELA R. Uno, Caracas** 1555 3/30. "Primera emisora del area metropolitana" (meaning Caracas). Funny to find two stations in different countries and on the same frequency with the same name. Ads for Arab restaurant, recommendations to travellers on beach highways, and El Castillo (an Italian restaurant in Caracas). This is a change of name from R. Especial. [CO-DR]
- 1350 **VENEZUELA R. Vision, Falcon, Puerto Cumarebo** 2047 3/29. Lots of ads and welcoming "temporadistas" to Peninsula Falcon and Punto Fijo. [CO-DR]
- 1380 **VENEZUELA Ondas del Mar, Puerto Cabello** 1512 3/29. Lots of pop mx and an ID. [CO-DR]
- 1380 **MEXICO XEKT, Tecate** 2358 4/18. Fair-good signals on car rx even past Santa Barbara w/full IDs mentioning 250 w. Gets out well. [TRH-CA3]
- 1450 **MEXICO XECB, San Luis Rio Colorado** 1330 4/19. Good, on top w/local ads. [TRH-CA4]
- 1600 **MEXICO XEICT, Tecate BCN** 0653 4/14. Fair w/NRM jingles, full ID mentioning 250 w power, XE anthem at 0654. Due to DST, now on summer sked of 1300-0700. [TRH-CA]

STATION NEWS

BULGARIA: Domestic Services schedule: **Knerzont** 24 hrs 261, 576, 594, 774, 963, 1017, 1143, 1161, 1224, 1296. **Khristo Botev** 0400-2200 648, 828, 864, 873, 963, 1017. **Znanije** 0700-0800 Su, 0800-1000, 1200-1400 Mo-Sa 774. Radio Sofia FS: 1224 (0400-0855, 1430-2225) [AMID via WDXC1]

COLOMBIA: LV del Guaviare 1170/6035.2 was silenced by a guerilla attack. [Rafael Rodriguez/Hauser-RCI/WRTH-LANL/UKVK]

CUBA: The program director of the Radio Progreso network, who was visiting relatives in Miami, decided to ask for political asylum. He did it on the air over WQBA-1140. Römml Iglesias says he waited 23 years to make a single sincere statement over the airwaves. [Miami Herald 3-23/World of Radio/UKVK] Last week of April, Glenn Hauser announced on World of Radio that Arnie Coro (CD2KK), host of Radio Havana's DXers Unlimited, has offered to help DXers with unanswered domestic QSL requests. Write to him, with a copy of your original letter, in care of Radio Havana (Box 6240, Havana), and Arnie will try to channel it to the right person. He also announced 28,885 kHz for radio-oriented

OSOs (1300 UTC Sunday). New on the air, according to Arnie, is R. Jaruco 1390 from the town of the same name (northeast of Havana) with 1 kW. Reports may be sent to him. [RHC DXers Unlimited]

GERMANY: R. Aktuell Berlin uses 576, 603, 657, 729, 783, 891, 1017, 1413, 1485, and 1602. [R. Aktuell in WDXC1]

IRAQ: Baghdad is jamming broadcasts in Arabic from neighboring Iran on 1332, 1467, and 1224 kHz. Shortwave transmissions are not being jammed because the Iraqis have so few transmitters left. Baghdad R. is still heard on 1224 and 1431 kHz, but the transmitter at Basra on 692 seems silent. [S. Virakoon, Sri Lanka on RNMN 3/28 via Mike Fern in NASWA Journal]

KUWAIT: Transmitters inside Kuwait have returned to the air on 940 and 1341 in AA. [R. Measham and J. Marks, RNMN 3/28 via Mike Fern in NASWA Journal]

NETHERLANDS: Some Free Radio Stations in operation: 1620 R. Baanbreker and R. Spanninozoeger, 1617 R. Stormvogel, 1617 R. Noorgedacht. [FRN via WDXC1]

SCANDANAVIA: Trans-Atlantic Top Ten Radio Stations, in order: Beacon-1610, VOOM-590, CJYQ-930, WDXR-1560, CKGA-650, CKXB-670, CKXG-680, HJKH-770, CBBY-750 and WNEW-1130. [UKVK]

SPAIN: Radio 5 has a new advertising space 0723-26 M-F [Molano/Play-DX/UKVK], with local service 0700-0800 on Sundays. [Rauch/Play DX/UKVK]

URUGUAY: R. Colonia 551 (nom 550) has been off freq for months. [Povrzenic LADX #128/WRTH-LANL/UKVK]



CORRECTIONS

Tim Hall caught me with two mistakes on one logging! DXN 58-25 is 890-XEYQ, ex-570. Tim also passes this note on to Mark Connelly: "MC-MR's tentative XEYQ on 890 can't be them - XEYQ moved to 640 a long time ago."

CONTRIBUTORS

- [TRH-CA] Tim Hall, Chula Vista CA; Sony ICF-2010, Radio West Loop. [TRH-CA2] Tim Hall DXing w/Neil Kazaross at San Diego Beverage Site, Poway, CA, Sony ICF-2010, 1500 and 2700 ft beverages aimed SE. [TRH-CA3] DXing on I-5/I-405/US-101 between San Diego and Morro Bay Delco car rx. [TRH-CA4] Morro Bay w/Sony ICF-2010, Radio West Loop, Delco car rx.
- [CO-DR] César Objio, Santo Domingo, Dominican Republic, TRF.

Don Trelford's Bandscan from Runaway Bay, Jamaica April 3-13, 1991

- 540 - HICM, Santo Domingo, DR (t)
550 - RJR, Montego Bay, JAMAICA
560 - JBC, Kingston, JAMAICA
580 - RJR, Galina, JAMAICA
590 - Reloj, Sta. Clara, CUBA
600 - Rebelde, Urbano Noris, CUBA
610 - unID SS, weak
620 - JBC, Mandeville, JAMAICA
640 - Reloj, in EE, unID
650 - unID (CUBA or DR?)
670 - Progreso, Arroyo Arenas, CUBA
680 - Reloj, Morin, CUBA
690 - Progreso, Cardenas, CUBA
700 - JBC, Montego Bay, JAMAICA
710 - Rebelde, 2 sites, CUBA
730 - unID SS
740 - Progreso, Pinar del Rio, CUBA
750 - JBC, Port Maria, JAMAICA
770 - RJR, Spur Tree, JAMAICA
790 - ??, JAMAICA
800 - Progreso, Manzanillo, CUBA
810 - Progreso, Camagüey, CUBA
840 - Dobleve, Santa Clara, CUBA
850 - unID SS, very weak
870 - Progreso, Sancti Spiritus, CUBA
880 - Progreso, Pinar del Rio, CUBA
890 - R. Musica Nat., 3 sites, CUBA
910 - Reloj, Camagüey, CUBA
920 - Reloj, Pilon, CUBA
930 - Reloj, 3 sites, CUBA
940 - Reloj, Colon, CUBA
950 - Reloj, Sancti Spir., CUBA
960 - Reloj, Guantánamo, CUBA

- 1010 - R. Sancti Spiritus, CUBA
1050 - R. Victoria, Las Tunas, CUBA
1060 - R. Victoria, Anhancio Rodriguez
1100 - R. Cadena Habana, Habana, CUBA
1110 - R. Cadena Habana, Holguin, CUBA
1120 - R. Cadena Habana, Habana, CUBA
1120 - R. Angola, Mayari, CUBA
1130 - R. Angulo, Sagua do Tanamo, CUBA
1140 - R. Cadena Habana, Habana, CUBA
1150 - R. Bayamo, Entronque Bueycito
1160 - R. Taino, Habana, CUBA
1170 - unID SS
1180 - Reloj, Nueva Gerona, CUBA
1200 - R. Palma Soriano, CUBA
1210 - unID
1230 - R. 26, Matanzas, CUBA
1240 - unID
1250 - Imlas, CUBA
1260 - Reloj, Camagüey, CUBA
1280 - R. Enciclopedia, Cardenas, CUBA
1300 - unID, possibly the DR
1310 - Reloj, Pinar del Rio, CUBA
1320 - Reloj, Pinar del Rio, CUBA (weak)
1340 - WGBY, GUANTANAMO BAY
1360 - R. Cadena Habana, Rodolfo Ramirez
1370 - R. Cadena Habana, Nuevitas, CUBA
1380 - R. Cadena Habana, Jaronu, CUBA
1400 - R. Musica Nat., 2 sites, CUBA
1410 - R. Enciclopedia, Pinar del Rio

Bandscan done during the day, late morning or early afternoon. With Don's limited Spanish, there may be some errors as to location (especially as Cuban stations rarely announce sites). Don hopes to finish 1420-1600 kHz in May visit to Jamaica.



Trinidad issues 23 radio, TV licences

The Jamaican Weekly? via Don Trelford

PORT OF SPAIN, Trinidad, Feb. 1991.

THE year 1991 promises to be a more competitive year for electronic media in Trinidad and Tobago. The Government has issued a total of 23 radio and TV licences — and at least some of the new stations are expected to go on air this year.

None of these developments has raised questions here about the country's ability to sustain many radio and TV stations, in terms of available advertising revenue and human resources.

According to the Telecommunications Authority, permission has been given for the establishment of three new national TV services, eight national radio services, six

community stations — divided equally between radio and TV.

How many of the licences will actually set up business is still unclear. Trinidad Express Newspapers, which publishes one of the two morning dailies here, expects its joint venture radio-TV company, Caribbean Communications Network (CCN), to be in place by mid-year.

CCN's competition is expected to include A.J. Cable (TV Enterprises, to be established by US-based Trinidadian Anthony McPhillip. Its market research is still in train, but the company estimates it will be offering Trinidadians 30 channels of cable TV by year end, with movies, sports, educational,

religious and cultural programming.

Veteran calypsonian "Superior" says he expects to mobilise about TT\$6 million for a mostly local music radio station, "later this year."

"Superior" — real name Andrew Mercano — says his final mix of music will probably be 80 per cent local and the rest Caribbean and foreign.

The traditional electronic media here comprise essentially three companies: Trinidad Broadcasting Company, which operates one AM (Radio Trinidad) and one FM radio station (Radio 95); National Broadcasting Service (NBS), with a similar complement (610 Radio AM and Radio 100 FM); and Trinidad and Tobago Television (TTV). NBS and TTV are government-owned.

Graveyard Achievements

William Hale
734 Burleson
San Marcos, TX 78666-4335

Distance records attained on 1230, 1240, 1340, 1400, 1450, and 1490 kHz

1240 kHz

Logged from Jan 1, 1980 to Present:

Date of Last Update: Apr 13, 1991

WEBJ	AL	Brewton	Bruce Conti	West Warwick, RI	1138
WPRN		Butler	Charles Reh	Leamington, ON	752
WULA		Eufaula	Robert Kramer	Chicago, IL	703
WOWL		Florence	Jerry Robertson	Croswell, MI	650
WMGJ		Gadsden	Karl Jeter	Stone Mountain, GA	103
WARF		Jasper	Carl Dabelstein	Lincoln, NE	712
KVRD	AZ	Cottonwood	Gene Allen	Vallejo, CA	691
KSML		Globe	Jim Hilliker	Anaheim, CA	411
KVRC	AR	Arkadelphia	Charles Reh	Leamington	789
KTLO		Mountain Home	John Malicky	Pittsburgh, PA	732
KWAK		Stuttgart	Charles Reh	Leamington	711
KPOD	CA	Crescent City	Richard E. Wood	Hilo, HI	2384
KJOP		Lemoore	Doug Lamerson	La'ie Point, HI	2488
KNRY		Monterey	Doug Lamerson	Kane'ohe, HI	2409
KPPC		Pasadena	Jim Hilliker	Anaheim	21
KLOA		Ridgecrest	Las Carpenter	El Toro, CA	138
KROY		Sacramento	Gene Nix	Billings, MT	806
KDIG		San Bernardino	Gene Allen	Vallejo	393
KSON		San Diego	Richard E. Wood	Hilo	2512
KSMA		Santa Maria	Doug Lamerson	La'ie Point	2486
KSUE		Susanville	Jim Hilliker	Anaheim	476
KRDO	CO	Colorado Springs	John Wilkins	West Des Moines, IA	621
KDGO		Durango	Gene Allen	Vallejo	797
KSLV		Monte Vista	Rick Carr	Bloomington, IL	949
WWCO	CT	Waterbury	Rodney Valdron	Petit Rocher, NB	565
WBGC	FL	Chipley	Don Trelford	Scarborough, ON	952
WEUS		Eustis	Shawn Axelrod	Orlando, FL	30
WINK		Fl Myers	Charles Reh	Leamington	1069
WMMB		Melbourne	Mauricio Molano	Madrid, Spain	4337
WFOY		St. Augustine	UK DXPedition*	Sheigra, Scotland	3991
WBHB	GA	Fitzgerald	Russ Edmunds	Kinnelon, NJ	816
WGGA		Gainesville	John Buehler	Toledo, OH	715
WLAG		La Grange	Dave Whatmough	Hamilton, ON	650
WBML		Macon	Chris Lucas	Stamford, CT	805
WWNS		Statesboro	Carl Dabelstein	Lincoln	1014
WPAX		Thomasville	Jeff Konnett	Charleston, WV	527
WTWA		Thomson	Steve Francis	Alcoa, TN	177
KLEI	HI	Kailua	Eric McIntosh	Invercargill, NZ	5142
KMCL	ID	McCall	Wayne Heinen	Colorado Springs, CO	714
KFLI		Mountain Home	Jim Hilliker	Anaheim	649
KWIK		Pocatello	Olle Alm	Abisko, Sweden	4348
WCRW	IL	Chicago	Charles Reh	Leamington	257
WEDC		Chicago	Joe Fela	Newark, NJ	703
WEBQ		Harrisburg	Jeff Falconer	Clinton, ON	543
WTAX		Springfield	Ernie Cooper	Provincetown, MA	1029
WSDR		Sterling	Steve Francis	Alcoa	521
WHBU	IN	Anderson	Niel Wolfish	Willowdale, ON	403
KDEC	IA	Decorah	Wayne Heinen	Buffalo, NY	648
KWLC		Decorah	John Wilkins	West Des Moines	156
KBIZ		Ottumwa	Charles Reh	Leamington	513
KICD		Spencer	Frank Merrill	Milan, MI	591
KIUL	KS	Garden City	Rick Dau	Oakland, IA	362
KAKE		Wichita	Dan Phillips	Talladega, AL	875
WINN	KY	Louisville	Chris Lucas	Troy, AL	705
WFTM		Maysville	Charles Reh	Leamington	243
WPKE		Pikeville	Charles Reh	Leamington	321
WSPC		Somerset	Russ Edmunds	Parsippany, NJ	615
KANE	LA	New Iberia	Jerry Starr	Youngstown, OH	991
WCOU	ME	Lewiston	Mike Csorbay	Canfield, ON	484
WMKR		Millinocket	Chris Lucas	Fairfield, CT	385

WCEM	MD	Cambridge	Rodney Valdron	Petit Rocher	21
WJEJ		Hagerstown	Don Lynch	Lynn, MA	825
WHAJ	MA	Greenfield	John Buelher	Toledo	400
WOCB		West Yarmouth	Jerry Robertson	Croswell	580
WATT	MI	Cadillac	MB DXPedition#	Ames, MB	710
WCBY		Cheyboygan	Don Lynch	Lynn	696
WJPD		Ishpeming	MB DXPedition#	Ames	715
WJIM		Lansing	Shawn Axelrod	Winnipeg, MB	510
WGGR	MN	Hibbing	John Malicky	Pittsburgh	813
KPRK		Park Rapids	Carl Dabelstein	Omaha, NE	797
WJON		St. Cloud	Morris Sorensen	Leaf Rapids, MB	390
WMPA	MS	Aberdeen	Jerry Starr	Youngstown	845
WGRM		Greenwood	Frank Merrill	Milan	666
WGCM		Gulfport	Frank Merrill	Milan	687
WJDQ		Marion	Mike Hawk	Omaha, NE	859
WMIS		Natchez	Charles Reh	Leamington	732
KFMO	MO	Flat River	Charles Reh	Leamington	865
KWOS		Jefferson City	Charles Reh	Leamington	518
KNEM		Nevada	Carl Dabelstein	Leamington	557
KBMY	MT	Billings	Rick Carr	Overland Park, KS	580
KLTZ		Glasgow	Don Kaskey	Bloomington	1074
KLYQ		Hamilton	Tim Hall	Sacramento	1001
KBLL		Helena	Carl Dabelstein	Kalispell, MT	135
KFOR	NE	Lincoln	Esa Hanninen	Omaha	880
KODY		North Platte	Shawn Axelrod	Lemmenjoki, Finland	4321
KELK	NV	Elko	Frank Merrill	Winnipeg	618
WFTN	NH	Franklin	Bob McCoy	Nanena	2140
WSNJ	NJ	Bridgeton	Derek Taylor	Lincoln, NE	1293
KLTN	NM	Albuquerque	Tim Hall	Preston, England	3417
KAMO		Carlsbad	Dave Margrutz	Chula Vista, CA	621
KCLV		Clovis	Tim Hall	Omaha, NE	776
WGBB	NY	Freeport	UK DXPedition*	Chula Vista	808
WGVA		Geneva	Rich Eddie	Sheigra	3146
WJTN		West Des Moines	John Wilkins	St. Louis, MO	785
WVOS		Liberty	Joe Kureth	West Des Moines	747
WNBZ		Saranac Lake	Don Lynch	Uniontown, MD	195
WWWD		Schenectady	Rodney Valdron	Lynn	203
WATN		Watertown	William Townshend	Petit Rocher	525
WPNF	NC	Brevard	Rodney Valdron	Washington, DC	355
WIST		Charlotte	Andy Rugg	Petit Rocher	1235
WCNC		Elizabeth City	Rich Eddie	Montreal, PQ	438
WJNC		Jacksonville	Andy Rugg	St. Louis	785
WPJL		Raleigh	Don Lynch	Montreal	776
WWWC		Wilkesboro	Mike Csorbay	Lynn	616
KDLR	ND	Devils Lake	Morris Sorensen	Canfield	480
WBBW	OH	Youngstown	Andy Rugg	Leaf Rapids	500
WHIZ		Zanesville	Joe Kureth	Montreal	438
KVSO	OK	Ardmore	John Wilkins	Uniontown	255
KADS		Elk City	Bill Hale	Wheat Ridge, CO	578
KOKL		Okmulgee	John Wilkins	Mountain Home, ID	1026
KCVL	OR	CoVille	Nancy Hardy	Wheat Ridge	574
KFLY		Corvallis	Esa Hanninen	Aberdeen, WA	295
KTIX		Pendleton	Olle Alm	Lemmenjoki	4445
KQEN		Roseburg	Gene Allen	Abisko, Sweden	4259
WRTA	PA	Altoona	Steve Francis	Vallejo	365
EBS		Philadelphia	Dan Phillips	Alcoa	438
WHUM		Reading	Steve Francis	Clinton, TN	630
WYGL		Selinsgrove	Rodney Valdron	Alcoa	438
WBAX		Wilkes-Barre	Rodney Valdron	Petit Rocher	735
WWON	RI	Woonsocket	Steve Whitt	Petit Rocher	675
WKDK	SC	Newberry	Mike Csorbay	Sheigra, Scotland	3000
WDXY		Sumter	Russ Edmunds	Canfield	608
KCCR	SD	Pierre	Dave Whatmough	Parsippany	581
WBEJ	TN	Elizabethtown	Carl Dabelstein	Hamilton	1040
WEKR		Fayetteville	Steve Francis	Omaha	799
WBJR		Knoxville	Andy Rugg	Alcoa	153
WKDA		Nashville	Don Lynch	Montreal	851
WEDG		Soddy-Daisy	Charles Reh	Lynn	946
WENK		Union City	Harry Hayes	Leamington	495
KVLF	TX	Alpine	John Wilkins	Gouldsboro, PA	780
KEAN		Brownwood	John Wilkins	Fort Davis, TX	21
KORA		Bryan	Frank Merrill	West Des Moines	738
KXIT		Dalhart	John Wilkins	Milan	1055
KSOX		Raymondville	Rick Carr	Wheat Ridge	294
				Austin, TX	265

KXOX		Sweetwater	Charles Reh	Leamington	1180
WSKI	VT	Montpelier	Dave Schmidt	New Castle, DE	355
WSSV	VA	Petersburg	Andy Rugg	Montreal	810
WROV		Roanoke	Andy Rugg	Montreal	652
WTON		Staunton	Andy Rugg	Montreal	579
KXLE	WA	Ellensburg	Don Kaskey	Sacramento	585
KGY		Olympia	Tim Hall	Kamloops, BC	278
WKOY	WV	Bluefield	Don Lynch	Lynn	647
WTIP		Charleston	Niel Wolfish	Toronto	388
WDNE		Elkins	Rodney Valdron	Petit Rocher	935
WOMT	WI	Manitowoc	Rich Eddie	St. Louis	405
WIBU		Poynette	Morris Sorensen	Amaranth, MB	644
WOBT		Rhineland	Jerry Starr	Youngstown	542
WJMC		Rice Lake	Charles Reh	Leamington	512
KFBC	WY	Cheyenne	Carl Dabelstein	Omaha	473
KEVA		Evanston	Bob McCoy	Lincoln	471
KASL		Newcastle	Mike Hardester	NAS Miramar, CA	1041
KTHE		Thermopolis	Bill & Nancy Hardy	Aberdeen, WA	787
WALO	PR	Humacao	Cesar Objio	Santo Domingo, DR	268
CFEK	BC	Ferrie	Roy Millar	Bellevue, WA	380
CKGO		Hope	Tim Hall	Barff, AB	288
CKMK		Mackenzie	Frank Merrill	Nanena	1085
CKOO		Osoyoos	Tim Hall	Barff	222
CJAV		Port Alberni	Nancy Hardy	Aberdeen	163
CFNI		Port Hardy	Frank Merrill	Nanena	1233
CKWL		Williams Lake	Roy Millar	Marysville	324
CJAR	MB	The Pas	Esa Hänninen	Lemmenjoki	3545
CKIM	NF	Baie Verte	Esa Hänninen	Sillinjärvi, Finland	3071
CJCD	NT	Yellowknife	Esa Hänninen	Lemmenjoki	3162
CFAK	ON	Atikokan	Shawn Axelrod	Winnipeg	308
CJNH		Bancroft	Jeff Falconer	Clinton	217
CBEZ		Britt	Morris Sorensen	Emsdale, ON	71
CJCS		Stratford	Joe Buehler	Toledo	205
CJWA		Wawa	Morris Sorensen	God's Narrows, MB	935
CJRW	PI	Summerside	Mark Hattam	Sheigra, Scotland	2514
CJAF	PQ	Cabano	Esa Hänninen	Lemmenjoki	3363
CJMD		Chibougamau	Mike Csorbay	Canfield	540
CIRB		Lac-Etchemin	Christian DeHaes	Chicoutimi	141
CKLS		La Sane	Esa Hänninen	Lemmenjoki	3479
CKLM		La Tuque	Joe Kureth	Uniontown	580
CFLS		Levis	Paul Mount	Teaneck, NJ	450
CKBS		St. Hyacinthe	Rodney Valdron	Petit Rocher	375
CJNS	SK	Meadow Lake	Esa Hänninen	Lemmenjoki	3637
ZNS2	BAH	Nassau	Charles Reh	Leamington	1209
4VJH	HTI	Port-au-Prince	Cesar Objio	Santo Domingo	159
XESI	NAY	Santiago Ixcuintla	Tim Hall	20mi SE of Cabo San Lucas, BCS	277
XEBQ	SON	Guaymas	Tim Hall	Poway, CA	503
XECG		Nogales	Robert Wien	San Jose, CA	755
XES	TAMS	Tampico	Rick Carr	Austin	560
TGK	GTM	Guatemala City	Niel Wolfish	Toronto, ON	2108
ZYH654	B	Candlode	UK DXPedition*	Shelgra	4731
HJFG	CLM	Armenia	Eric Bueneman	Hazlewood, MO	2539
OAZ4Q	PRU	Huacho	Richard E. Wood	Hilo	5732

* UK DXPedition [Steve Whitt, Mark Hattam, Clive Rooms]
 # MB DXPedition [Shawn Axelrod, Wayne McRae]

AM Radio Station Maps

by Bill Hale

Complements the NRC AM Radio Log
 Large type ... maps show location of
 stations ... easy to keep up-to-date. Only
 \$9.50, NRC members; \$10.50, Canadian
 members, \$11.95, non-members. Over-
 seas customers, please write. Order from
 NRC Publications - Box 164 - Mannsville,
 NY 13661 or use your credit card (VISA/
 MC) and call (608) 423-4159.



High-Performance One-Foot Air Core Loop ...by Dallas Lankford

In my recent article "What's Wrong With Present Day Loop Antennas" I observed as others before me have observed that a 4 foot air core loop is too large for most DXers, and agreed with Russell Edmunds and Ralph Sanserino that a 2 foot air core loop is a reasonable starting point for a high performance loop antenna. And in my companion article "High Dynamic Range Balun Loops" I presented two unamplified and one amplified 2 foot air core loops. But a 2 foot air core loop is still quite large and not easy to move around. This motivated me to develop a 1 foot air core loop and companion amplifier which are not much larger than a ferrite rod loop, but which have demonstrably better performance -- a lower noise floor (better sensitivity), and much better strong signal handling performance.

The main problem with developing a high performance 1 foot air core loop was the amp. The improved balanced differential amp (BDA) in the first article above, while adequate for ferrite rod loops, had detectable 2nd order IMD products when used with a 1 foot air core loop. Tapping the BDA input down on the 1 foot air core loop improved the IMD somewhat, but did not eliminate the spurious responses completely. The U-310 amp for the 2 foot loop was tried with the 1 foot loop, but the amp gain was slightly inadequate for the 1 foot loop. The solution was to add a second U-310 amp.

The dual U-310 amp in Fig. 1 below is identical to the amp for my 2 foot loop (in Fig. 5 of the second article above) up to T3. A different source bias circuit is required for Q2 to isolate the source of Q2 from +9 volts DC applied to the drain of Q1 through T3. The source bias resistor for Q2 is the combined resistance of R1 and R2. It is split into two parts because with the standard circuit (R1 = 0 and R2 = R) amp gain is not uniform throughout the MW band; gain at higher frequencies is higher. It might seem that inserting resistance (R1) in the signal path would lower gain uniformly, but that did not happen; gain at lower frequencies is unchanged, while gain at higher frequencies is reduced. By trial and error R1 = R2 = 220 ohms was found to give nearly uniform gain while coming close to the Q2 source bias design goal of 470 ohms. Output signal levels were somewhat higher than for the 2 foot air core loop with two turn taps, so three turn taps were used.

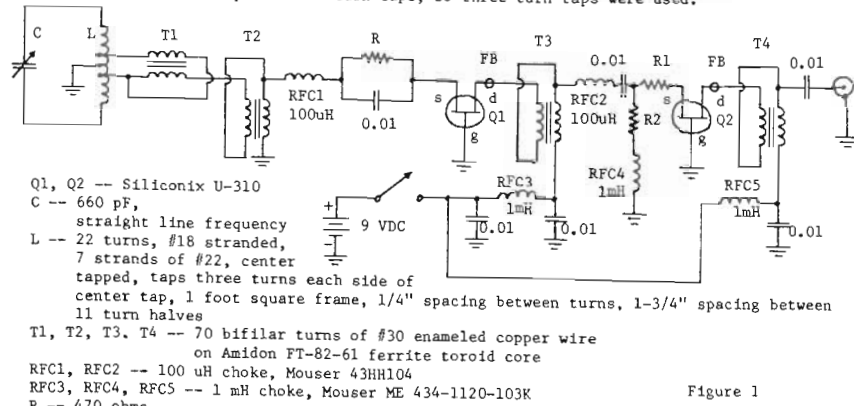


Figure 1
 One Foot Air Core Loop

Q1, Q2 -- Siliconix U-310
 C -- 660 pF
 straight line frequency
 L -- 22 turns, #18 stranded,
 7 strands of #22, center
 tapped, taps three turns each side of
 center tap, 1 foot square frame, 1/4" spacing between turns, 1-3/4" spacing between
 11 turn halves
 T1, T2, T3, T4 -- 70 bifilar turns of #30 enameled copper wire
 on Amidon FT-82-61 ferrite toroid core
 RFC1, RFC2 -- 100 uH choke, Mouser 43HH104
 RFC3, RFC4, RFC5 -- 1 mH choke, Mouser ME 434-1120-103K
 R -- 470 ohms
 R1, R2 -- 220 ohms
 FB -- ferrite bead, Amidon FB-64-101
 Tuning Range -- about 500 KHz to 2000 KHz after adjusting the spacing of L
 Current Drain -- about 8.5 ma

You can get a little more gain out of the 1 foot loop and amp of Fig. 1 by using taps at two turns each side of center tap, or taps at one turn each side of center tap. I don't recommend this because the higher signal levels are not necessary, and the increased Q seems to degrade audio quality when listening in wider receiver bandwidths. You can also get a little more gain at the high frequency end of the MW band and 160 meter ham band by reducing the value of R1 and increasing the value of R2 (keep R1 + R2 approximately equal to 470 ohms), but I don't recommend this either. The three turn taps and values of R1 and R2 have been carefully chosen for optimum signal levels and flat gain. The amp of Fig. 1 can be used with ferrite rod loops (preliminary tests suggest that a 2 or 3 turn tap each side of center tap is satisfactory), but I recommend against that. If you feel that you need better performance, use the amp as it was intended, with a 1 foot air core loop. Finally, the amp of Fig. 1 can be used with the 2 foot loop described in my previous article, but I recommend against that too unless you live far away from sources of man-made and power line noise, and the MW signal levels at your location are lower than normal. Perhaps someone in Hawaii, Alaska, or northern Canada could benefit by using the amp of Fig. 1 with a 2 foot air core loop.

For Beginners

Jack Woods - P. O. Box 1003
Waldport, OR 97394-0514
Mike Hawk - 10212 P St.
Omaha, NE 68127-2130

Information and advice of interest to inexperienced DX'ers

The topic for this issue is "When to listen for DX and what you might hear at those times". This was a problem for me when I first started DX'ing. When I first started, I would read how DX at sunset and sunrise was better than at other times. I would wonder if that was true, because late at night I would hear stations from several states away, at their strongest. Because of this, I would only listen late at night.

The fact is, though, many more stations are possible to hear during sunrise/sunset skip. DX at these times is better because you can hear stations before they reduce power or go off the air in the evening, or when they raise power or sign on in the morning. Helpful aids to this type of DX'ing are the sunrise/sunset maps and Bill Hale's AM Radio Station maps. The article "Sunset DX from the West Coast" by Guy Kudlemeyer, which appeared in DX News Volume 58, No. 6 has many good tips, even if you don't live on the west coast.

I will describe how to use the maps mentioned above. Let's say it is a day in February and the time is 4:55 PM Central Time. You take out the February map and look in the 5:00 PM column. Stations in that column will change facilities at 5:00 PM. Using the radio station maps, you look for stations in this area that you would like to hear. It helps if you have a target station list already made. You listen to the frequencies of your targets for a few minutes after 5:00, because stations sometimes leave their daytime setup on for a minute or two too long. You then repeat the process for the area for 5:15 PM. The best chance of hearing these stations is just before they change to night-time facilities. The reason for this is that it will probably be dark at the station. The best chance to hear DX is when both the station and the DX'ers location are dark. Next best is when one of the locations is dark. Chances are improved still more if it is dark at both locations and the station is still on daytime setup.

Not all stations change facilities at sunset, though. Some change at the sunset of another station. For those stations, you just look at the map to see where the station is that causes other stations to change. You listen just before the sunset of that station. The NRC AM Radio Log shows many stations that change facilities at the sunrise or sunset of other stations. Check your target list to see if any of your stations are like this.

Generally, sunset is usually most productive if you live in the East. That way, most stations are located to the west, so it will be dark at your location while those stations are on full power.

Late-night DX'ing requires a little more patience than sunset or sunrise. DX'ing late at night is usually good during unusual conditions, such as auroral or high latitude openings. Openings to parts of the country are common at night. Also, late at night some stations perform frequency or equipment tests. This is a good opportunity to hear normally daytime only stations. On Sunday or Monday mornings, many stations that are on 24 hours have a silent period. That gives you a chance to DX on those frequencies or adjacent frequencies without interference. On the clear channel frequencies, many low-powered USA and Canada stations can be heard. Mexico and South America also are commonly heard. If there is bad weather in an area of the country, such as a blizzard or flooding, sometimes daytime-only stations stay on the air with full daytime power to provide weather information to the community they serve. You can hear some rare DX that way. Try listening to the regionals late at night. Most nights, from Omaha, you can hear 1,000 watt stations from 1,000 miles away. You need to be patient though, and wait until they fade in just as they give an ID. Local channel DX is good at night. You can hear stations as they sign off, and then other stations come in after those ones are off for the night. Again, patience is the key.

Just as sunset DX is better in the East, sunrise is better in the West. The reason is the same - it is dark at the DX'ers location. You use the sunrise/sunset maps the same way. The only difference with DX'ing at sunrise is, you want to hear stations just as they change facilities, because most likely it will be dark at the station's location when they sign on.

Daytime DX can produce some surprising catches. In Omaha, North Dakota, Illinois, southern Kansas and southern Missouri are commonly heard. Occasionally WLW, KKOB, or even WBAP are heard around noon. Try listening after heavy rain or fog, because groundwave conditions improve a little. Some low-powered daytime-only stations can be heard during the day. It is important to get to know the local band. This helps to separate the local stations from good DX when you listen during skip times or late at night.

To wrap things up, it pays to listen at all times of the day and night. Many different things can be heard at different times. Also, get in touch with a local DX'er. He or she will be glad to help you, and maybe make a tip sheet to help you get started.

A future column will be on the best bets for each state from a given location.

73 Mike and Jack

SUNRISE BROADCASTING CORPORATION
WQLS-FM(Q-104)/WQLS(AM-1200)
115 NORTH BELL STREET/SUITE 4
P.O. BOX 5629
DOTHAN, ALABAMA 36302
(205) 671-1234

TO: Wayne Heinen, National Radio Club

FR: Tom O'Brien, General Manager

RE: DX request for WQLS(AM)

DA: 02/11/91

I'm sure you thought you'd never hear from us, but I've had your letter on file so I could respond to your request for a special DX test of our AM station. Let me tell you a little about our station.

Sunrise Broadcasting Corporation acquired WNER(FM)-WFSF(AM) from a company that had gone bankrupt in early 1990 and formally took operating control on July 1, 1990. Both the AM and FM were in sad shape, as the previous owner was not a broadcaster and did not keep either station in very good running condition. I came on board with a goal of getting the stations back into line both technically and financially. We are proceeding with this in mind.

The AM station suffered a major setback in October 1990 when the 1940's RCA 10kw transmitter finally gave up the ghost and died without much hope of revival. It was decided at this point to ask the FCC to let the station remain silent for a few months while we concentrated on upgrading the FM from a class "A" to a class "C3". The FM changed call-letters to WQLS and other changes took place in programming and other areas to make it competitive in this market until we get our construction permit to build a new transmitter site. All is going according to plan and we hopefully will have the CP shortly.

Now, what to do with WFSF. I have always been a fan of AM and grew up listening to the big "clear channel" stations from Chicago, Atlanta, New York, and other cities around the country. I have a Sony XRA-33 AM Stereo receiver in the car and still enjoy tuning around the band, listening in wideband/narrowband stereo and mono. There are a lot of great sounding AM stations still out there! I have found many times, AM stereo actually sounds better than some FM stations. Mono or stereo! Stations like WSB and WHAS are good examples of AM stereo. What I'm getting at is, AM is not dead, just very ill, and it's up to us with AM licenses to get the band back into shape.

It has been decided to re-build the AM station at our new FM transmitter site, with a new transmitter and antenna system. Our current plans are to program a full-service news/talk station, with heavy emphasis on community involvement (although we will operate as a daytimer, the AM programming will also be available via FM subcarrier and cable radio 24 hours a day.) I am excited about the possibilities for the new WQLS(AM) as a companion to our adult programmed FM. The studios will be in Dothan, AL.

We would very much like to take part in your DXing program, soon after we have re-built the station. If the FCC grants our request quickly (and they have indicated they will) we could be ready to go back on the air later this year. If you are still interested, keep in touch and a date can be scheduled for later this year without problem. I would love the publicity for the new station!

Good luck, and happy DXing! (Sorry about getting on my AM "soapbox"!)

Tom O'Brien

Tom O'Brien, General Manager

FM DX Todd Brandenburg, KAOKAN

9720 NW 31st
Silver Lake, KS 66539-9403

Digest DX on the FM band, from April through September

Greetings all!

It's now E-skip season so the 1000 mile catches will be more common through September or October. ANY radio will work. I started with a boombox, and others have used them also. Also keep in mind the Perseids meteor shower in August. Catches up to 1500 miles are possible if you're willing to stay up at night. There are one or two showers before then, but nothing major until the Perseids.

Tropo openings occur within a few hours of sunrise and sunset, with stations from a few hundred miles up to 1000 possible. Mornings are best, though.

To answer Bill N's (and anyone else who's curious) question, narrative reports are fine with me. Actually, as long as I can read the report it doesn't matter what format is used.

And now, on to the DX!

Mike Hawk KB0GXE, 10212 P St, Omaha, NE 68127 using a Sangean ATS-803+ 6 el R.S. yagi on roof.

5/12/91 tropo CDT

1546 105.1 KKJO MO St. Joseph- 'We have more winners more often on K-Joe, where you hear more music'. Format: CHR- tb

1900 107.7 KMAJ KS Topeka- ID jx as Classic 108 KMAJ, > 'Rock and Roll Oldies Show' (Mike, they also use 'Majic 108' jx- tb)

2035 106.5 KXXR MO Liberty- vy strong w/ Kansas City wx and ID slogan of X-106. (this stn is strictly T-40- tb)

5/13/91 tropo

0649 104.9 KAWL NE York- Fair w/OLD & 'Zippo in the morning'.

0653 101.5 KEZH NE Hastings- strong w/'KZ Country' ID slogan, apparently not EZL anymore as log says.

0656 98.9 unID // 104.9 KAWL w/'Zippo' and OLD. 0659 97.3 KMTYNE Aurora-fair w/'FM-97 slogan, not on 103.1 anymore, so scratch it from your logs.

0706 96.5 KRGI NE Grand Island- fluctuating signal w/C&W mx and 'Country 96' slogan.

0711 95.7 KROA NE Grand Island- poor w/ call ID and sports scores.

0713 94.5 KKEZ IA Fort Dodge- ID & CHA/AOR mix of mx.

0716 93.3 KIOA IA Des Moines- OLD mx, news and ID, // KIOA AM 940.

0720 90.5 KXCV MO Maryville- NPR news pgm, wx and call ID. (this stn has a CLA format- trb)

0723 90.9 KUCV NE Lincoln- same NPR pgm as KXCV but delayed a little; severe 90.7 KVNO splash.

0726 90.3 KWIT IA Sioux City- Id nx then NPR pgm.

0728 88.3 KXNENE Norfolk- // 90.3 KWIT NPR pgm (Mike, my books show KXNE on 89.3- trb).

0731 95.5 KGLI IA Sioux City- many Id ads and call IDs.

Bill Nienajadly, PO Box 2999 Clifton NJ 07015 using GE superadio modified to the max, R.S. 6-el at 80'

5/1/91 tropo

0930 at work w/Superadio- very strong tropo to Cape May, NJ to Worcester, MA. Gone by 1200.

5/9/91 groundwave

1200 87.9 unID NY? Brooklyn?- Pirate Stereo, playing Ramones, Patsy Cline, and one morning they aired Howard Stern. Right after this they seemed to go off for good. First time I heard anything on 87.9.

5/13/91 tropo

2200 to Baltimore and DC area; 107.3, 106.5, 105.7, plus other DC, Baltimore regulars.

5/15/91 tropo

2200 96.1 WGCN PA Red Lion o/WLEV

2250 105.7 WQSR MD Catonsville

2300 107.3 WRQX DC Washington

5/16/91 Super tropo

0005 104.1 WXTR MD Waldorf- ID o/WAEB! (new)

0038 96.7 WCEI MD Easton- ID o/WQQQ! (new)

0100 106.5 WVMX VA Richmond- Id & area mentions.
0259 99.7 WYV VA Norfolk-
0300 101.3 WWDE VA Hampton-o/WKCI!!
0301 105.3 WMXN VA Norfolk-o/WDAS (new)
0305 102.3 WJLN NJ Cape May o/WSUS-WBAB!
0315 95.3 WKHK VA Colonial Heights (new)
0322 100.1 WBXB NC Edenton- ID w/ Joe Fela (new)
0326 105.7 WRSF NC Columbia- Surf 106
0330 107.7 unID ?? relaying a 'lite 94.7'
0332 107.9 WNCT NC Greenville- o/WEBE! (new)
0403 92.5 WYFL NC Henderson- o/WXTU (new)
0405 95.7 WLTy VA Norfolk- o/WFLN (new)
0408 104.5 WNVZ VA Norfolk -o/Philly! (new)
0410 92.9 WFOG VA Norfolk
0430 102.5 WOLC MD Princess Anne- in 7 hours!
0453 101.1 WRXJ VA Richmond- XL-102 (new)
0528 103.3 WAKG VA Danville- last heard 1989
0542 98.1 WTVR VA Richmond- o/WOGL!
5/17/91 groundwave
1600 89.3 WLPJ NY Monroe- Stereo- IDs with 89.7-

WFGB Kingston NY; pretty good here, even heard on car rx.

Best southwest opening to date. This will go into the NJ DXers 'record books'! Several things stand out about this opening: the duration, strength, and how good TV was, I had WFL-22 NC at times snowfree! Also had ch 10 & 12 Norfolk & Richmond! Other NJ DXers had ..get this, VA & NC over NY locals! I stayed up all night for this Super opening. WOW!

Me- Silver Lake, KS

5/22/91 tropo

2104 97.7 KUVR NE Holdrege- news, NE DOT psa into Robert Palmer song, o/unID w/ KC Royals BB.

2110 89.3 KONE NE Norfolk- // 89.1 KHNE & 88.7 KLINE, legal ID at 2200 w/ BBC nx.

2339 93.7 KSPI OK Stillwater- w/ Texas Rangers BB. 5/23/91 tropo

2150 95.9 KKBL MO Monett- w/ St Louis Cardinals BB, call ID, into Donnie Osmond mx.

Family Radio Network ... via Todd Brandenburg

Heaven's Peace Plan radio network

By Ken Onyschuk

640 WYLO Jackson/Milw. Wis. Sun, 5pm.
640 WNNZ Westfield, Mas. Sun. 8 am
730 WACE Springfield, Mas. Sun. 12:30pm.
740 WRPX Hudson, Wis. M-F, 10:15am
800 CKEW Windsor, Ont. Sun. 10:30am
870 KIEV Glendale, Cal. Sun. 4pm.
950 WROL Boston, M-F 11am, Sun. 12:30pm
1030 WMLN Maplewood/Mpls, M-F, 6:30am, Sun. 8am
1030 KPTO Casper, Sun, 8:30pm.
1110 WTIS Tampa, FL. Sun. 1:30pm
1160 WJJD Chicago, Sun. 8:30am
1170 WWSA Wheeling, WV, Sun. 6:30pm
1226 WRIB Providence, R.I. Sun. 2pm.
1250 CHWO Oakville/Toronto, Sun. 9am.
1410 KFMB Montreal, Sun, 7:30am
1510 KGA Spokane, Sun. 10:30pm
1520 WKKB Buffalo, Sun. 9:30pm
1540 KXEL Waterloo, M-F 10:30pm, Sun, 9pm.
1590 WPLW Carnegie/Pittsburgh, Sun. 4pm.

101.5 WPIT Pittsburgh, M-F, 7:15pm

103.9 WJBF Jenkintown/Phil., Pa. M-F, 7:45am

**THE ALL NEW
KM COUNTRY**

WJKM Radio

Hartsville, TN

615-374-2111

**Clear Channel 1090 AM
On Your Dial**

Playing All Your Favorites

910	KECR	El Cajon, CA (metro San Diego)
920	KYFR	Shenandoah, IA
1150	WCUE	Cuyahoga Falls, OH
1170	WCTF	Vernon, CT
1210	KEBR	Rocklin/Sacramento, CA
1280	KFBR	Long Beach, CA
1460	KARR	Kirkland, WA
88.1	WMWK	Shorewood (Milwaukee), WI
88.1	WFRW	Webster, NY
88.5	WFCH	Charleston, SC
88.7	WJFR	Jacksonville, FL
88.9	KQFE	Springfield, OR
88.9	WFRS	Smithtown, NY
88.9	WFRJ	Johnstown, PA (t)
88.9	WFRJ	Johnstown, PA (t)
89.1	KHAP	Chico, CA (t)
89.5	KJVH	Longview, WA
89.5	KPRA	Ukiah, CA
89.5	WBFR	Birmingham, AL
89.7	KTXB	Beaumont, TX
89.9	KEFR	Le Grand, CA (t)
89.9	WFBF	Buffalo, NY
90.3	WOTL	Toledo, OH
90.5	WFRS	Columbus, GA (t)
91.3	KDFR	Des Moines, IA
91.7	KUFR	Salt Lake City, UT
91.7	WFTI	St. Petersburg, FL
91.7	WWFR	Okeechobee, FL
91.9	WJCH	Joliet, IL
93.3	KECR-FM	El Cajon, CA (t)
94.7	WFME	Newark, NJ (t)
94.7	WFME	Newark, NJ (t)
106.9	KEAR	San Francisco, CA (t)
106.9	WKDN	Camden, NJ (t)
106.9	WKDN	Camden, NJ (t)
107.9	WFSI	Annapolis, MD (t)

(t) means station has translators

Need more information about Medium Wave DX'ing?
Mail \$1.00 to NRC Publications - P. O. Box 164 - Mannsville, NY 13661-0164; ask for the Reprints Catalog.

Professional Sports Networks

Barry S. Finkel
 10314 S. Oakley
 Chicago, IL 60643-2409
Network listings for team sports stations

Here is Major League Baseball announcer information. I have not included flagship information, as that appeared in the last column. But I have included Spanish or French network flagship stations that did not appear there. This comes from "USA Today" and "Baseball Weekly" via Ken Onyschuk.

Atlanta Braves	Dave O'Brien	
Baltimore Orioles	Jon Miller, Ken Levine	
Boston Red Sox	Bob Starr, Joe Castiglione	
California Angels	Al Conin, Bob Jamison	
	Cos Villa, Ruben Valentin	1090 XEPRS-BC
Chicago Cubs	Tom Brenneman, Ron Santo, Harry Caray, Bob Brenly	
Chicago White Sox	John Rooney*, Wayne Hagin	
	(??) selected games on	1300 WTAQ-IL
Cincinnati Redlegs	Marty Brenneman, Joe Nuxhall	
Cleveland Indians	Herb Score, Tom Hamilton	
Detroit Tigers	Ernie Harwell, Paul Carey	
Houston Astros	Milo Hamilton, Larry Dierker, Bill Brown, Vince Cotroneo	
	Orlando Diago, Rolando Becerra	1320 KXYZ-TX
Kansas City Royals	Denny Mathews, Fred White	
Los Angeles Dodgers	Vin Scully, Don Drysdale, Ross Porter	
	Jaime Jarrin, Rene Cardenas	1330 KWKW-CA
Milwaukee Brewers	Bob Uecker, Pat Hughes	
Minnesota Twins	Herb Carneal, John Gordon	
Montreal Expos	Jacques Doucet, Rodger Brulotte, Pierre Arsenault	730 CKAC-PQ
	Dave Van Horne, Ken Singleton, Elliot Price, Bobby Winkles	
New York Mets	Bob Murphy, Gary Cohen	620 WSKQ-NY
	(??)	
New York Yankees	Joe Angel, John Sterling	
Oakland Athletics	Bill King, Lon Simmons, Ray Fosse	
	Amaury Pi-Gonzales, Irwin Higueros	1430 KTNA-CA
Philadelphia Phils	Hary Calas, Rich Ashburn, Andy Musser, Chris Wheeler	1210 WOGL-PA ***
Pittsburgh Pirates	Lanny Frattare, Jim Rooker, Steve Blass, Ken Dervinavis **	
St. Louis Cards	Jack Buck, Joe Buck, Mike Shannon	
San Diego Padres	Jerry Coleman, Rick Monday, Bob Chandler, Ted Leitner	
	Gustavo Lopez (Sr. & Jr.), Ed Ortega, Mario Zapaian	1420 XEXX-BC
San Francisco Giants	Hank Greenwald, Ron Fairly	
	Julio Gonzales, Tito Fuentes	1170 KLOK-CA
Seattle Mariners	Rick Rizzz, Dave Niehaus	
Texas Rangers	Mark Holtz, Eric Nadel	
Toronto Blue Jays	Tom Cheek, Jerry Howarth	

* John Rooney broadcasts the CBS Radio Sunday evening games.
 ** I can't read Ken's handwriting for Kent D's last name.
 *** Broadcasting Magazine lists only WOGL-FM for the Phillies; Ken Onyschuk's sources list WOGL-AM.

California Angels	1991	Al Conin, Bob Jamison	(via Martin Foltz)
		Cos Villa, Ruben Valentin (SS)	
590 KRSO-CA	1090 XPRS-BC *	1240 KSMA-CA	1380 KLPZ-AZ 94.3 KTAZ-CA
710 KMPC-CA *	1150 KCKY-AZ	1340 KATY-CA	1400 KTUC-AZ
920 KDES-CA	1230 KLVN-NV	KVOY-CA	1430 KMP-CA
1010 KCHJ-CA	KPRL-CA	KFBR-AZ	1590 KCIN-CA
1080 KWAI-HI	KMGR-UT	KIKO-AZ	
Los Angeles Dodgers	1991	from Dodgers' Pocket Schedule	(via Tom Sanders)
		Vin Scully, Don Drysdale, Ross Porter	
		Jaime Jarrin, Rene Cardenas (SS)	
550 KOY-AZ	910 KVVQ-CA	1240 KLOA-CA	1330 KWKW-CA * 1480 KSDQ-CA + 6
610 KAVL-CA	KOXR-CA	1250 KTMS-CA	1340 WSTA-VI + 1490 KMET-CA
690 KVNA-AZ	920 KVEC-CA	1280 KDOL-NV + 6	1370 WAKE-FL + KYCA-AZ
720 KDWV-NV	940 KDEO-HI	1290 KMEN-CA	1400 KTUC-AZ 1510 KSNE-AZ + 6
790 KABC-CA *	1140 KCMJ-CA	1300 KRCP-CA	KEYX-CA 1560 KNZR-CA
800 KNKK-UT	1230 KBOW-CA	1310 KIQQ-CA	1440 KUHL-CA
810 WKBM-PH + 6	KYVA-NM +	1320 KHSJ-CA	1450 KVEN-CA

+ These stations carry selected Dodger games.
 6 These stations carry the Spanish (SS) broadcasts.

Philadelphia Phillies 1991 Hary Calas, Rich Ashburn, Andy Musser, Chris Wheeler (via WOGL)

590 WARM-PA	1210 WOGL-PA **	1320 WGET-PA	1400 WRAK-PA	1490 WNBT-PA
660 WMIC-NJ	1230 WBPZ-PA	1350 WOYK-PA	1420 WCOJ-PA	1570 WBUX-PA
790 WAEB-PA	1240 WCMC-NJ	1360 WYPA-PA	1480 WISL-PA	
850 WEEU-PA	1240 WYGL-PA	1390 WKLP-NV	1490 WLPA-PA	WCHX-PA 6
860 WGUL-FL	1270 WLBR-PA	1400 WOND-NJ	WBCB-PA	
1150 WDEL-DE	WBS-FL	WNNK-PA	WAZL-PA	

+ To clear up some confusion in the last two issues -- the Phillies are definitely on WOGL-AM in Philadelphia; I do not think that they are also on WOGL-FM.

6 The Phillies' list contains only call letters; there are no frequencies. I am assuming that the stations that carry the games are AM. There may be some FM stations that carry the games. I could not find WCHX (Lewiston, PA) in my "NRC Log"; it may be an FM station.

Houston Astros 11/1990 Milo Hamilton, Larry Dierker (via KRPC) Rolando Becerra, Orlando Sanchez (SS on KXYZ)

560 KLVI-TX	1200 WOAI-TX	1340 KRBA-TX	1470 KLCL-LA	92.7 KIVY-TX
690 KPET-TX	1220 WMJK-FL	1370 KFON-TX	1490 KVLL-TX	97.7 KQRO-TX
710 KURV-TX	1230 KSIX-TX	1390 KULP-TX	KWMC-TX	98.5 KRXT-TX
790 KTEM-TX	KEEE-TX	1400 KKNK-TX	WXLG-MS	102.3 KLCR-TX
	KKYR-TX	1260 KTUE-TX	1520 KRJH-TX	KYOC-TX
	910 KNAF-TX	1280 KTTX-TX	KVOP-TX	KYXX-TX
	930 KDET-TX	1300 KFLO-LA	1410 KNAL-TX	106.3 KFJN-TX
	950 KPRC-TX *	WIBR-LA	KLEV-TX	
	970 KSYL-LA	1320 KXYZ-TX *	1450 KCTI-TX	1580 KRZI-TX
1150 WTAW-TX	1330 KDOK-TX	1460 KRME-TX	1600 KQRO-TX	

I do not know if any of these stations (besides 1320 KXYZ) carries the Spanish feed.

The Astros' sheet also lists the Armed Forces Network as carrying the games.

Detroit Tigers 1991 Ernie Harwell, Paul Carey (via WJR)

580 WTCM-MI	1230 WSOO-MI	1380 WPLB-MI	1460 WBRN-MI	100.1 WSHN-MI
590 WKZO-MI	WCUZ-MI	1400 WCCY-MI	1490 WMPX-MI	100.9 WBRN-MI
760 WJR -MI *	1240 WJIM-MI	WQXO-MI		101.1 WUPY-MI
790 WSGW-MI	WCBY-MI	1430 WLKF-MI	92.9 WKJF-MI	104.7 WYXK-MI
850 WKBZ-MI	1280 WBYC-MI	WION-MI	93.5 WNBV-MI	WKJC-MI
900 WSNQ-MI	1320 WDMJ-MI	1450 WMIQ-MI	95.3 WMJZ-MI	104.9 WBYC-MI
930 WBCW-MI	1340 WWPZ-MI	WHTC-MI	98.3 WCSI-MI	
1050 WFLA-MI	WCSR-MI	WNBV-MI	WQXO-MI	
1150 WCEN-MI	1350 WGDN-MI	WATZ-MI +	99.3 WATZ-MI +	

+ The "WJR Michigan RADIOGUIDE" Collector's Issue (I assume that this name is due to the fact that this is the last season for both announcers) contains two lists. One is a list of the Tigers' Radio Network, and the other is a list of Michigan AM and FM stations, with frequency and format. In the latter, the Tigers' stations are in a bold font. The Tiger's list has WATZ (AM), while the Michigan list has WATZ (FM). Except for this one difference, the two lists agree.

Cincinnati Redlegs 3/28/91 Marty Brenneman, Joe Nuxhall (via WLW)

560 WJLS-WV	1240 WSFC-KY	1400 WFLY-OH	92.1 WMPO-OH	102.5 WHIZ-OH
580 WCHS-WV	WHBU-IN	WCIN-KY	92.3 WDEF-TN	103.1 WRAU-KY
610 WTVN-OH	1260 WNDL-IN	WBTH-WV	92.7 WNCI-KY	103.6 WBKW-WV
680 WCTT-KY	1280 WHRS-KY	1440 WMDJ-KY	94.3 WKKI-OH	103.9 WRBI-IN
700 WLW -OH*	1290 WHIO-OH	WPGW-IN	WRCR-IN	WIMC-IN
740 WRNR-WV	WVOW-WV	1450 WNDI-IN	95.3 WNDI-IN	WXXQ-KY
790 WKYK-KY	WATO-TN	1490 WMOA-OH	95.7 WPTW-OH	104.1 WPAV-OH
810 WCKG-KY	1300 WLXG-KY	WOMI-KY	95.9 WFTM-KY	104.9 WFKY-KY
850 WUTK-TN	1320 WLOH-OH	WBEX-OH	96.7 WKOV-OH	WWWY-IN
910 WFNS-FL	1330 WMOR-KY	WKBV-IN	97.7 WLBC-IN	105.1 WRNZ-KY
920 WTCW-KY	WKOV-OH	WSPY-KY	97.7 WJSN-KY	105.9 WKWC-KY
930 WRVC-WV	WFIN-OH	WFKY-KY	99.6 WCHS-WV	106.1 WRZZ-WV
970 WATH-OH	WTRF-IN	1520 WSVL-IN	100.3 WCBW-IN	WINN-IN
990 WJEH-OH	1340 WKRM-TN	1530 WIFE-IN	100.9 WPCW-IN	106.7 WSRW-OH
1050 WGBT-VA	WLBK-IN	1550 WNDI-IN	101.5 WGRF-OH	107.1 WKOB-KY
1110 WCBR-KY	WBGW-KY	WCVL-IN	101.7 WMOQ-KY	107.3 WCTT-KY
1150 WIMA-OH	1370 WGOH-KY	1560 WQXY-KY	101.9 WPOW-WV	
1230 WIRO-OH	1390 WBLL-OH	1600 WBLY-OH	102.3 WFFC-IN	
1240 WFTM-KY	WMPO-OH	WHIZ-OH	1490 WVRC-WV	92.1 WMOR-KY
				WCYN-KY

Station Address Changes

Supplied by NRC members and other sources

Editor: Gayle Yeager

Address: Jerry Starr
c/o WHOT Radio
4040 Simon Road
Youngstown, OH 44512-1320

570	KLIF TX DALLAS	3625 NORTH HALL	CPC
620	WVNR WV BECKLEY	DRAWER AE 25801	BW-MI
630	KDWB MN ST. PAUL	708 SOUTH 3th ST., SUITE 200 55415	J*-OH
660	KFAR AK FAIRBANKS	P.O. BOX 70910 99707	CPC
670	WIEZ PA LEWISTOWN	12 1/2 EAST MARKET STREET 17044	HK-NH
740	WPRX WI HUDSON	615 1/2 2nd STREET	CPC
770	WABC NY NEW YORK	P.O. BOX 77 10101	GHD-WV
780	WBBM IL CHICAGO	P.O. BOX 78 60602	GHD-WV
800	KINY AK JUNEAU	1107 WEST 8th	CPC
830	WKTX OH CORTLAND	P.O. BOX 358, MERCER, PA 16137	GHD-WV
860	WAEC GA ATLANTA	1465 NORTH SIDE DRIVE	CPC
860	KCNR UT SALT LAKE CITY	180 SOUTH 300 WEST	CPC
870	WWL LA NEW ORLEANS	P.O. BOX 53367 70153	GHD-WV
900	WEAS GA SAVANNAH	2515 ABERCORN STREET	CPC
900	WKXV TN KNOXVILLE	5106 MIDDLEBROOK PIKE 37921-5908	CPC
920	CKCY ON SAULT STE. MARIE	642 GREAT NORTHERN ROAD P6B 429	DT-ON
970	WATH OH ATHENS	P.O. BOX 210 45701	BW-MI
990	WWCM MI YPSILANTI	17 NORTH HURON STREET	GHD-WV
1000	KMX CO HAYDEN	BOX 774743, STEAMBOAT SPRINGS, CO 80477	CPC
1000	WJHH GA SOPERTON	1003 EAST MAIN STREET 30457	RV-VA
1040	KGGK TX DALLAS	3929 SOUTH POLK STREET 75224	BBMcC-TX
1110	KAOI HI KIHEI, MAUI	1728-C KAAHUMANU AVENUE	CPC
1120	KANN UT ROY	P.O. BOX 3880, OGDEN, UT 84409	CPC
1200	WKIT ME BREWER	BOX 2637, RANGOR, ME 04401	HK-NH
1220	WKNR OH BROADVIEW HEIGHTS	9446 BROADVIEW ROAD 44146	GHD-WV
1240	KCRT CO TRINIDAD	100 FISHER DRIVE	CPC
1250	CHWO ON OAKVILLE	Zip Code Change Only - L6J 3NG	RV-VA
1280	WYSY IL AURORA	P.O. BOX 2010 60507	GHD-WV
1290	WFGB PA ALTOONA	HILLTOP-LOGAN BLVD. 16603	DT-ON
1300	KBRL NE McCOOK	P.O. BOX 303 69001	WH-CO
1310	CHGB PQ LA POCATIERRE	1000 6ieme AVENUE, C.P. 550 GOR 12D	DT-ON
1330	WWRV NY NEW YORK	P.O. BOX 2908, PATERSON, NJ 07509	BH-NJ
1400	WNNK PA HARRISBURG	P.O. BOX 144 17118	DT-ON
1440	WLPZ ME WESTBROOK	BOX 6713, PORTLAND, ME 04101	HK-NH
1440	WKMK MI INKSTER	1514 EAST JEFFERSON AVENUE, DETROIT, MI 48207	DT-ON
1450	KDMN CO BUENA VISTA	P.O. BOX 2224, GREELEY, CO 80632-2224	WH-CO
1450	WTBO MD CUMBERLAND	P.O. BOX 1644 21502	DT-ON
1450	KNSI MN ST. CLOUD	Zip Code Change Only - 56302-1458	DT-ON
1450	WPSE PA ERIE	Zip Code Change Only - 16563-0907	DT-ON
1450	WMAJ PA STATE COLLEGE	421 EAST BEAVER AVENUE, BOX 888 16804	DT-ON
1460	WEMR PA TUNKHANNOCK	R.R. 5, BOX 1460 18657	DT-ON
1470	WMMW CT MERIDEN	DAY'S INN, SUITE 1470, 900 E. MAIN ST. 06450	BH-NJ
1470	WVBX SC GEORGETOWN	1215 CHURCH STREET	CPC
1480	WZRC NY NEW YORK	600 MADISON AVENUE	BH-NJ
1490	WPEX VA HAMPTON	32 EAST MELLE STREET 23663	RV-VA
1510	KIDZ MO INDEPENDENCE	10841 EAST 28th	WH-CO
1520	KOLM MN ROCHESTER	1220 4th AVENUE SW 55902	CPC
1540	WNRB OH NILES	P.O. BOX 2244, YOUNGSTOWN, OH 44504	GHD-WV
1550	WAMA FL TAMPA	5203 NORTH ARMENIA AVENUE 34248	CPC
1550	WVKI LA SHREVEPORT	1300 GRIMMENT	CPC
1560	KNZR CA BAKERSFIELD	3651 PEGASUS DRIVE, # 107 93308	WH-CO
1570	CKLM PQ MONTREAL	3195 BOULEVARD SAINT MARTIN OUEST LAVAL, PQ H7T 1A3	AR-PQ
1580	WVWF NC CAMP LEJEUNE	1309 LeJEUNE BLVD., JACKSONVILLE, NC 28540	HH-MD
1600	WUNR MA BROOKLINE	275 TREMONT STREET, BOSTON, MA 02116	DT-ON

**** CONTRIBUTORS ****

BW-MI	.. BOB WALKER, WIXOM, MI	J*-OH	.. JERRY STARR, HUBBARD, OH
HK-NH	.. HOWARD KEMP, LACONIA, NH	WH-CO	.. WAYNE HEINEN, AURORA, CO
GHD-WV	.. G. HARLEY DELEURERE, HENDRICKS, WV	RV-VA	.. ROBT. VANCE, FT. BELVOIR, VA
DT-ON	.. DON TRELFOED, SCARBOROUGH, ON	BH-NJ	.. BOB HARRISON, UNION, NJ
AR-PQ	.. ANDY RUGG, NUNS' ISLAND, PQ	BBMcC-TX	.. ?? B. B. McClurkin, -pL
CPC	.. COLORADO CPC MACHINE		

The "Bevermatcher" Broadband Antenna Matching and Combining Unit
Mark Connally - WAIION - 15 JAN 1991

This article presents a flexible solution to coupling Beverage and random-length longwire and vertical antennae to 50-ohm coaxial feedline suitable to transport a low-noise signal from a remote location to the receiving position. Several issues are involved: these must be discussed at the outset.

1. Inability to keep correct antenna orientation if the antenna is extended to reach the receiving "shack"

A Beverage or other wire antenna laid out for a particular directional characteristic may only be feasible at a site not immediately adjacent to the receiving position. It is necessary to "capture" signals as if the receiver was "out in the field" at the end of the properly-aimed antenna.

2. Excessive manmade RF noise in the immediate vicinity of the receiving position.

Noise from TV's, machines, fluorescent lights, computers, power lines, etc. obliterate serious DX signals in the area near the receiver. A remote antenna at a quieter nearby site is mandated. Active remote antennae may be overloaded by strong local stations, so a passive fix is required. Again, a means of delivering a true noise-free replica of the signal "in the field" at the base of the antenna to the operating position is needed. It goes without saying that signal attenuation due to cable loss should be minimized. Luckily, even 100' (30 m.) of RG-58 type coax. has relatively little loss below 5 MHz. Cable shielding must be effective and ground loops are to be avoided if noise is to be held at bay and if RF "leakage" (that could compromise directivity) is to be "plugged".

3. Wire antennae seldom provide a proper 50 ohm match: simply connecting a run of coax. to a remote wire antenna is a recipe for failure.

A Beverage characteristically has an impedance of 500 to 900 ohms over a fairly wide bandwidth. DXers such as Nick Hall-Patch have constructed toroidal-transformer assemblies that take advantage of this fact by using a fixed ratio of transformation (e. g. 12:1) and ground isolation to get substantially better RF energy transfer to the 50-ohm feedline. Separating transformer primary ground from transformer secondary ground reduces noise as long as a decent earth ground can be provided at the field site at which the antenna-to-cable interface box is located. Tests by Pat Martin indicate that the matching / isolation transformer idea works quite well. The subject has also been covered by the 1988 & 1989 Fine Tuning "Proceedings".

It can be seen from the foregoing discussions that the problem of efficiently transferring, by passive means, the output of a remotely-sited wire antenna to a receiving position has been attacked and partially overcome. I say "partially" because of the Beverage-specific nature of the best-known current solution Palomar Engineers had at one time advertised a passive remote whip that was efficiently broadband-coupled to a coaxial feedline by means of a matching-transformer scheme. It is doubtful that such an antenna could deliver much output on medium-wave and longwave, but shortwave performance on "big signal" bands like 49 meters was probably adequate. I've set about to assemble a unit that can match a wide variety of remote wire antennae to 50-ohm line without the need of active devices (that can overload) and tank circuits (that are narrowband and must be "tweaked"). Nick Hall-Patch's transformer box served as the starting point: I tossed one together and found that it even helped with wires of shorter-than-Beverage length, in some cases. Not being a big fan of homebrew transformers or inductors (at work we never use them), I did subsequent tests with some commercially-available matching transformers of differing impedance-transformation ratios. These models are made by Mini-Circuits

(Brooklyn, NY) Experimenting with 16:1, 9:1, 4:1 and 1:1 ratio units, I found out that different wire antennae coupled most efficiently to my 50-ohm receiver input differently, in terms of the transformation ratio best suited to the job. This is to be expected. Therefore, a broadband matching box offering several ratios would seem to be a worthwhile DX tool - able to interface with a greater variety of wires than the single-transformer unit. Such a matching unit has potential to be a remote-site coupler and also an in-shack optimizer for wires coming right in the window.

Some time back, I experimented with a "combiner" box, a sort of poor man's (or - more accurately - lazy man's) phasing unit. The concept of the combiner was to take two wires, or two ends of the same longwire looped horizontally or vertically, and connect them to the receiver and ground in six different configurations meant to establish different directivities. Table 1 illustrates these configurations:

Table 1: Two Wire Connection Combinations

Set-up #	Antenna 1 to:	Antenna 2 to:
1	receiver	no connection
2	no connection	receiver
3	receiver	ground
4	ground	receiver
5	receiver	receiver
6	balun primary-A	balun primary-B
	[balun primary centertap to ground;	
	secondary to receiver and receiver ground]	

Results both at home and at DXpedition sites were encouraging. Nulls of pests (allowing choice foreign DX to slide through) sometimes occurred, even with two ends of the same wire looped around the yard. Of course, phasing provides nulls more often and more controllably, but "combining" has operating simplicity as an advantage: less time tweaking, more time DXing. Time, especially on DXpeditions, is a valuable commodity.

A decision was made to put the combiner and the switchable-impedance-transformers into a single unit, dubbed the Bevmatcher. This allows added flexibility in either in-shack or field-remote-coupler applications. Impedance transformations of 16:1 (800 ohms antenna to 50 ohms receiver), 4:1 (200 ohms to 50), and 1:1 are selectable; in addition, by reversing the transformers, 1:4 (12.5 ohms to 50), and 1:16 (3.1 ohms to 50) ratios may be obtained. These low-ohms ratios may be useful in coupling short untuned loops to a 50 ohm system. Use of the balun in the combiner section allows use of balanced antenna systems such as V-beams and rhombics (as well as large wire loops).

In addition to the combiner and impedance-transformation sections, a third section was added to the Bevmatcher box: a resistive matching pad that can be switched in or out. The purpose of the pad is to improve the VSWR (voltage standing wave ratio) on the coaxial transmission line. Reducing VSWR equates to improving the impedance match: the result is an improvement in the shielding ability of the coax. cable. If shielding is good, near-field noise and directivity-spoiling leakage of broadcast signals into the feedline center conductor will be minimized. The resistance values chosen cause a 4.2 dB reduction in signal levels if the pad is switched in. In low-signal areas (the "boondocks"), it is generally wise to leave the pad switched out: every microvolt of signal counts, especially if the receiver is insensitive and a high-gain preamplifier (MWT-1, MWT-2, or similar) is not available to place ahead of the receiver input. In reasonable-signal-level conditions (characteristic of night-time), using the -4.2 dB pad may help retain directivity and noise-immunity: the penalty to system gain may be a lesser evil than a noise or interference increase. The pad assures that the maximum VSWR will be 2.2:1 (even if the antenna represents a virtual open or short). Such pads are often used in VHF, UHF, and microwave applications where keeping mismatches "localized" is of considerable benefit in preserving the shielded nature of coaxial cables.

Bevmatcher Assembly & Technical Data

The construction-related documentation is as follows:

- Figures 1 & 2: schematic
- Figure 3: TA1 transformer card assembly
- Figure 4: TA2 transformer card assembly
- Table 2: hole-drilling list
- Tables 3-6: parts lists

FIGURE 1: BEVMATCHER INPUT (COMBINER) SECTION SCHEMATIC

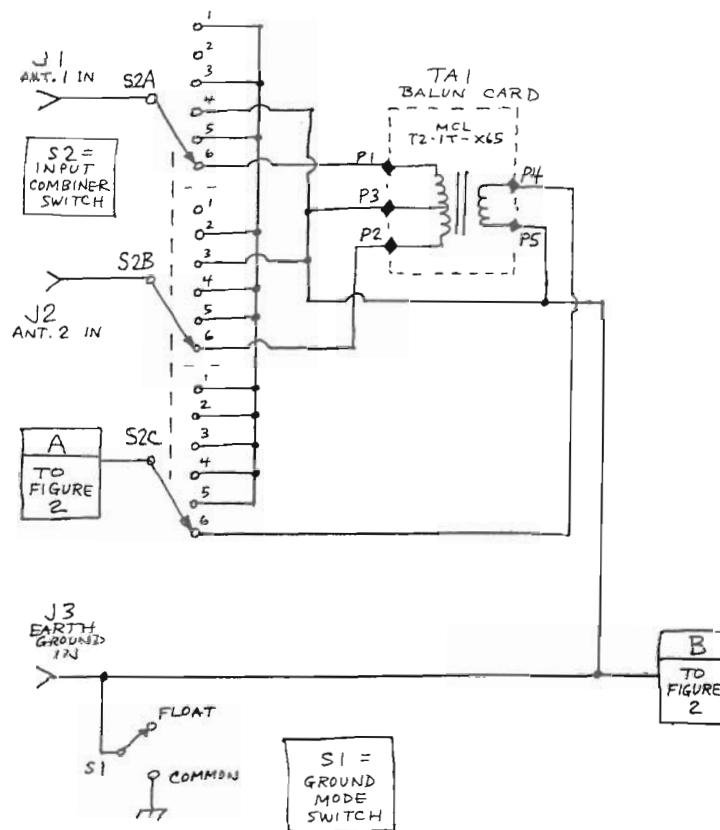


Table 2: Bevmatcher hole-drilling list

Box = Mouser 537-TF-779 (5" x 4" x 3")

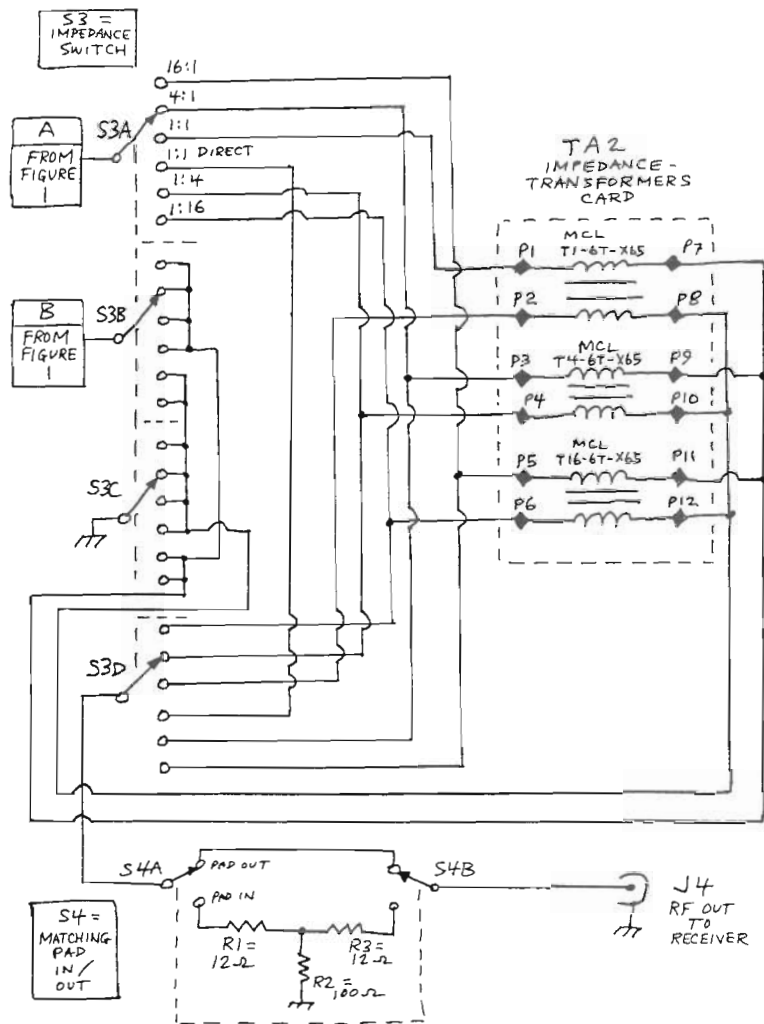
X = Horizontal distance, in inches, from the vertical centerline (VCL) on the side observed. Negative values of X are left of VCL, positive values of X are right of VCL.

Y = Vertical distance, in inches, from the bottom horizontal edge of the side observed.

D = Hole diameter in inches.

Hole loci are first marked on the box with a scribe and are then drilled with a .125" bit. Subsequently, as required, the holes are enlarged to the proper size by using progressively larger bits up to that corresponding to the final desired diameter.

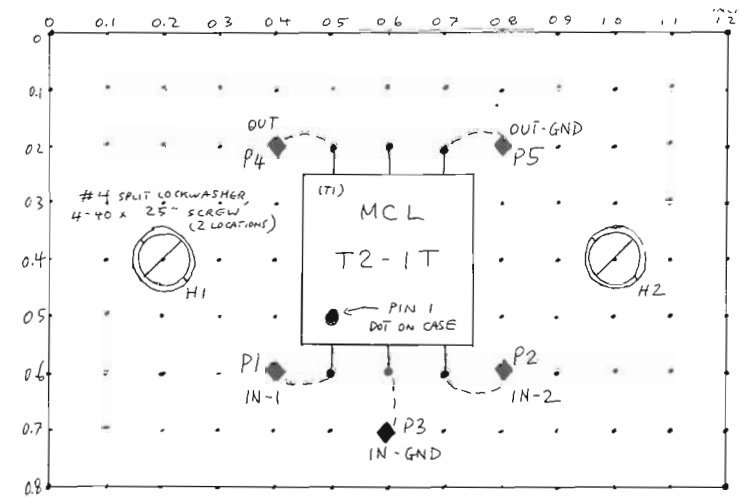
FIGURE 2 : BEVMATCHER OUTPUT (Z-MATCH) SECTION SCHEMATIC



LEFT SIDE

Hole #	Comp. Desig.	Description	X	Y	D
1	J1	Ant. #1 In-red banana jack	-0.75	0.5	0.3125
2	G1	GND H/W - internal lug	0.0	2.0	0.125
3	J3	GND In - black banana jack	0.0	0.5	0.3125
4	J2	Ant. #2 In-red banana jack	0.75	0.5	0.3125

FIGURE 3 : BALUN CARD (TA1) ASSEMBLY



TOP SIDE

Hole #	Comp. Desig.	Description	X	Y	D
1	S1	Ground mode switch - tab	-1.875	3.0	0.144
2	S1	Ground mode switch - shaft	-1.875	2.75	0.25
3	TA1	Balun card - H/W 2	-1.25	1.5	0.125
4	TA1	Balun card - H/W 1	-1.25	0.7	0.125
5	S2	Input combiner switch -shaft	-0.875	2.75	0.375
6	S2	Input combiner switch - tab	-0.375	2.75	0.144
7	S3	Impedance switch - tab	0.375	2.75	0.144
8	S3	Impedance switch - shaft	0.875	2.75	0.375
9	TA2	Imped. transformer card H/W4	0.5	1.5	0.125
10	TA2	Imped transformer card H/W3	0.5	0.7	0.125
11	TA2	Imped transformer card H/W2	1.7	1.5	0.125
12	TA2	Imped. transformer card H/W1	1.7	0.7	0.125
13	S4	Matching pad switch - tab	1.875	3.0	0.144
14	S4	Matching pad switch - shaft	1.875	2.75	0.25

RIGHT SIDE

Hole #	Comp. Desig.	Description	X	Y	D
1	G2	GND H/W - internal lug	0.0	1.25	0.125
2	J4	RF out - BNC jack	0.0	0.5	0.375

How to place orders ...

By mail: Write to NRC Publications - P. O. Box 164 - Mannsville, NY 13661-0164. Enclose check or money order; NY residents, add state and local taxes. If ordering by credit card, you may write to NRC - P. O. Box 24 - Cambridge, WI 53523-0024; include information below plus your signature. By phone: Call (608) 423-4159 from 7-11 pm, ELT. Have ready your VISA/MC information: Card type, number, expiration date, name on card, evening telephone number. State and local taxes will be added to WI residents' orders.

FIGURE 4. IMPEDANCE TRANSFORMERS CARD (TA2) ASSEMBLY

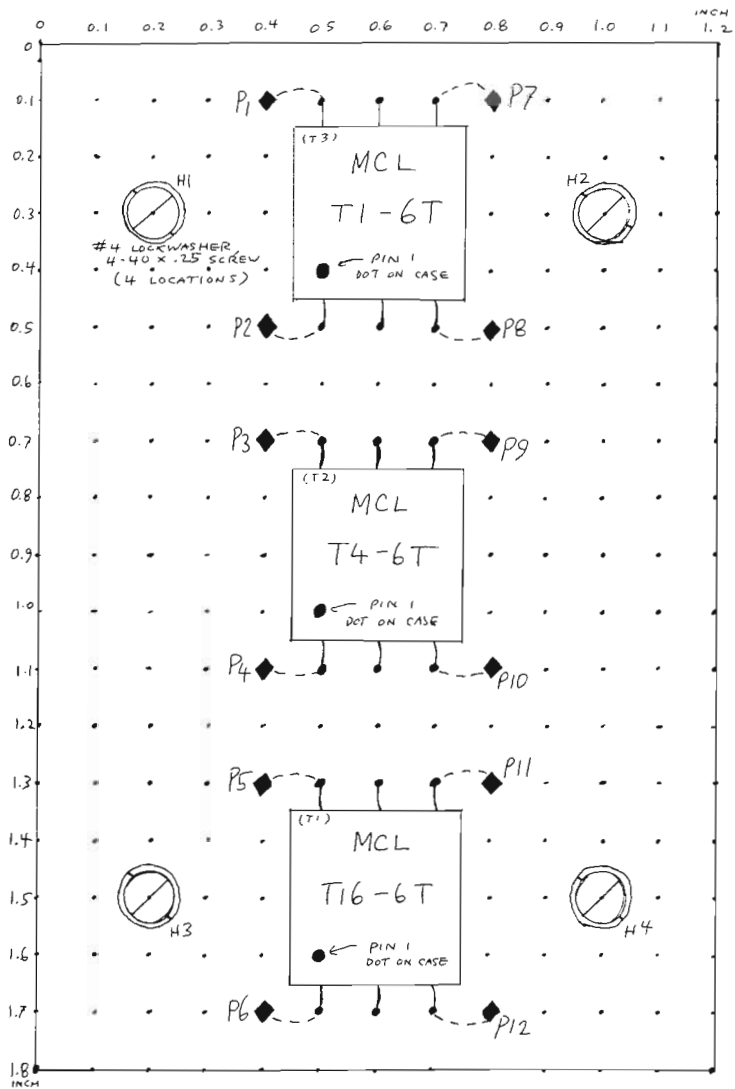


Table 3: "upper level" parts list

Vendor codes:

- RS = Radio Shack / Many locations worldwide
- MOU = Mouser Electronics / 11433 Woodside Ave. / Santee, CA 92071
- MCL = Mini-Circuits / P. O. Box 350166 / Brooklyn, NY 11235-0003

Item	Designator	Description/Value	Vendor	Vendor Stock #	QTY
1	-	chassis box	MOU	537-TF-779	1
2	TA1	balun card ass'y	(see Table 4)		
3	TA2	impedance transformer card ass'y	(see Table 5)		

4	(for S2, S3)	knob	RS	274-416	2
5	J1, J2	red banana jack	RS	274-662	2
6	J3	black banana jack	RS	274-662	1
7	J4	BNC jack	RS	278-105	1
8	R1, R3	resistor, 12 ohm	MOU	29SJ250-12	2
9	R2	resistor, 100 ohm	RS	271-1311	1
10	S1	switch, SPST	RS	275-612	1
11	S2, S3	switch/4pole/6pos. rotary	MOU	10WRO46	2
12	S4	switch, DPDT on-on	RS	275-614	1

Table 4: Balun card parts list

See Table 3 for vendor codes.

Item	Designator	Description/Value	Vendor	Vendor Stock #	QTY
1	BD	perfboard(1.2"X0.8")	RS	276-1396 (cut)	1
2	H1, H2	screw, 4-40 X .25"	MOU	572-01880	2
3	H1, H2	spacer, 4-40 X .5"	MOU	534-1450C	2
4	H1, H2	split lockwasher, #4	MOU	572-00649	2
5	P1-P5	flea-clip for .042 hole	MOU	574-T42-1/100	5
6	T1	balun transformer	MCL	T2-1T-X65	1
7	W	buss wire	RS	278-1341 approx.1'	

Table 5: Impedance Transformers card parts list

See Table 3 for vendor codes.

Item	Designator	Description/Value	Vendor	Vendor Stock #	QTY
1	BD	perfboard(1.2"X1.8")	RS	276-1396 (cut)	1
2	H1, H2, H3, H4	screw, 4-40 X .25"	MOU	572-01880	4
3	H1, H2, H3, H4	spacer, 4-40 X .5"	MOU	534-1450C	4
4	H1, H2, H3, H4	split lockwasher, #4	MOU	572-00649	4
5	P1-P12	flea-clip for .042 hole	MOU	574-T42-1/100	12
6	T1	RF transformer 16:1	MCL	T16-6T-X65	1
7	T2	RF transformer 4:1	MCL	T4-6T-X65	1
8	T3	RF transformer 1:1	MCL	T1-6T-X65	1
9	W	buss wire	RS	278-1341 approx.1'	

Table 6: small hardware parts list

See Table 3 for vendor codes.

Note: Mounting hardware is supplied with the following components: J1, J2, J3, J4, S1, S2, S3, S4.

Hardware is required by the following component designators: G1, G2, TA1, and TA2. All required hardware is listed below:

Used on	Description/Value	Vendor	Vendor Stock #	QTY
G1-G2(2), TA1(2), TA2(4)	screw, 4-40 X .25"	MOU	572-01880	8
TA1(2), TA2(4)	split lockwasher, #4	MOU	572-00649	6
G1-G2(2)	solder lug, #4	MOU	534-7311	2
G1-G2(2)	hex nut, 4-40	MOU	572-00486	2

Brief Synopsis of Control Usage

S1: If a good low-resistance earth ground (separate from receiver ground) is available at the location of the Bevmatcher box, noise may be reduced by setting S1 to Float. This separates the grounds. If such a ground is unavailable, set S1 to Common.

S2: The setting of this switch depends on whether a single wire is being input to the unit, or two wires. With two wires, this switch is set for optimized reception of DX targets. This optimized reception is based upon the ability to reject noise and interfering stations (more than merely presenting the highest S-meter reading on desired stations) Refer to the schematic (Figure 1) and Table 1 for additional information.

S3: This switch selects the impedance transformation ratio. Beverages and longwires generally transfer maximum signal when the 16:1 or 4:1 ratio is chosen. Some wires may work best with the 1:1 ratio. Closed loops (one end to J1; other end to J2), especially if shorter than a quarter-wavelength, may perform better with one of the "step up" ratios (1:4 or 1:16) than with 16:1, 4:1, or 1:1.

S4: This selects Matching Pad In or Out. Using this -4.2 dB pad, as mentioned previously, reduces VSWR (possibly improving integrity of cable shielding and, thereby, noise-rejection and directivity quality). Switching out the pad gives greater signal throughput. In many cases, directivity and noise-rejection are not influenced by the pad; therefore, delivering maximum signal is the preferable situation.

Conclusion

The Bevmatcher is a useful accessory for the DXer inclined toward antenna experimentation. In some cases, it may result in stations being heard that would otherwise be missed (though a loop or phasing unit will generally do more). For a fairly low-tech, low-cost, easy-to-use accessory, Bevmatcher has its merit.

KILI Radio celebrates eighth birthday

By Leslie Bison
Times Staff

PORCUPINE — As KILI completes its eighth year, hours dedicated to tear-jerking love songs have given way to coverage of tribal council meetings, Black Hills debates, basketball tournaments and community awareness programming as a celebration of Lakota life, said Tom Casey, KILI station director.

"We're a unique station. We offer entertainment but also news — uncredited, live from the council

chambers of Eagle Butte to Pine Ridge."

Gary Richards, KILI disk jockey, agreed, adding, "It's our job to be here for the people."

"There is a time to be in tune with the music, but there is also a time to be in tune with the world," Richards said.

It was a long winter. KILI radio was on the brink of bankruptcy in June but has since stabilized.

"By Aug. 31, it looked like the end was imminent. But, in the past five months through our direct mail campaign and the marathon

fundraiser with WLIB out of New York City, we have paid off a substantial amount of our \$190,000 debt. Now what's left is manageable," Casey said.

The KILI board of directors has been instrumental in making needed changes. Staff has been encouraged to attend classes at Oglala Community College.

Richards said he is taking math and beginning management. "I'm learning the basics. How to be a good role model, the importance of little things, like being punctual and, then, things like how to be as-

servic."

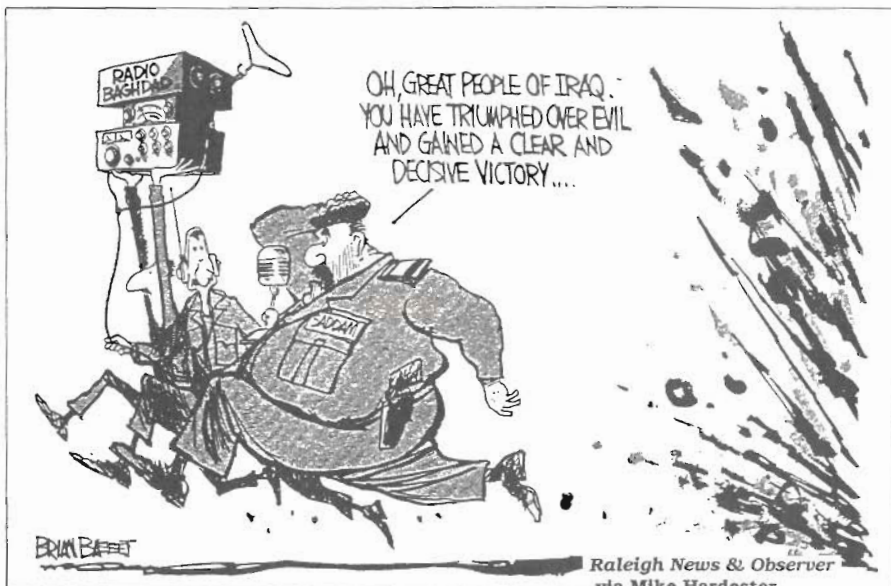
The new team spirit comes from an effort to have a staff that is sober and involved with recovery from alcoholism.

"We've had to do a lot of house cleaning. I used to come to the station high from alcohol or drugs. Now I've been sober 15 months," Richards said.

KILI celebrated its eighth birthday with pow wows at the Little Wound School in Kyle Saturday and at the H.V. Johnston Cultural Center in Eagle Butte Sunday.

The Lakota Times
-via Mike Hardester

RADIO STATION K I L I OPERATES ON 90.1 MHz FROM PORCUPINE, SD.



Raleigh News & Observer
-via Mike Hardester

FIRST IMPRESSIONS OF THE NEW DRAKE R8 COMMUNICATIONS RECEIVER

Unveiled to the public at the 1991 Dayton Hamvention, this radio attracted everyone's attention for its simplicity and 'black box' stealth look (good time to release a radio just after a war).



The Drake R8 has been designed as a 'complete package'. Covers 100KHz to 30MHz continuous plus with a VHF converter 35-55 MHz & 106-174 MHz. Multi-mode reception includes AM, FM, RTTY, CW, USB and LSB. Five built-in filter bandwidths, 6.0, 4.0, 2.3, 1.8, and 0.5 KHz. Synchronous detector. Passband Offset. Non-volatile memory 100 channel memory capacity. Two operating VFOs, Timer function for automatic operation, very useful for recording purposes. Selectable AGC (Off, slow, fast), Dual antenna inputs, dual time zone built-in clock. Made in Miamisburg, Ohio. Built-in multi-voltage power supply. Built-in 4 ohm speaker. RS232C serial interface for computer control. A software program will be released by Drake soon.

Options available at this time are the VHF Converter, a matching external speaker, and a software remote control package for the RS232C serial interface.

Easy to operate. What about reception? Of course it is hard to tell what it can really do inside a large Convention size building with a lot of ambient noise around, but I'm sure it will prove to be as good as the rest of Drakes past radios. Availability? According to the Drake representatives, "the radio will be available from selected dealers or from the factory". The cost? US\$979.00 You can order from Drake direct by calling 1-800-937-2534 or by FAX 513-866-0806 they take VISA, MasterCard, American Express. NO CODs. Unknown what price the 'selected dealers' will be selling the radio at.

SPECIFICATIONS

Frequency Range:	100-30,000 KHz (0.1-30MHz)
Modes:	AM, LSB, USB, CW, RTTY, FM
Sensitivity:	< 1 uV 0.1-1.5 MHz < 0.5uV 1.5-3.0 MHz < 0.25uV 5.0-30 MHz with preamplifier < 3.0uV 0.1-1.5 MHz < 1.5uV 1.5-3.0 MHz < 0.8uV 5.0-30 MHz with preamplifier
	AM (10dB S+N/N)
	FM (12dB SINAD)
Frequency Stability	< +/- 10ppm, -10u to 50u C
Frequency Accuracy	< +/- 100 KHz, -10u to 50u C
Selectivity:	AM, LSB, USB, RTTY, CW modes
	6 KHz @ -6dB, < 12 KHz @ -60dB 4 KHz @ -6dB, < 8 KHz @ -60dB 2.3 KHz @ -6dB, < 4.5 KHz @ -60dB 1.8 KHz @ -6dB, < 3.6 KHz @ -60dB 500 KHz @ -6dB, < 1.5 KHz @ -60dB 12 KHz @ -6dB, < 25 KHz @ -60dB
	FM mode only
Ultimate Selectivity	> 95 dB
Image Rejection	> 60 dB @ 100 KHz to 1.5 MHz, > 80 dB @ 1.5 to 30 MHz
IF Rejection	> 80 dB, 45 MHz, > 100 dB, 50 KHz
Dynamic Range	> 90 dB 1.5-30 MHz @ 20 KHz spacing
Intercept Point	> +5 dBm @ 20 KHz spacing > -20 dBm @ 5 KHz spacing
1st IF	45 MHz
2nd IF	50 KHz
AGC Performance	Threshold: 0.8 uV 1 mS
	Attack Time: Release Time:
	SLOW: 2 Sec FAST: 300 mSec < 4 dB change in audio output for 100 dB input change @ AGC threshold
Antenna 1, Converter inputs	50 ohms unbalanced
Antenna 2, Input	50 or 500 ohms unbalanced
Notch Filter Attenuation	40 dB min Depth (500-5000 Hz)
External Speaker Output	2.5W, 4 ohms @ < 10% distortion
Recorder Output	300 mV, 4.7 Kohms
Demodulator Output	300 mV, 4.7 Kohms
Clock Accuracy	< +/- 2 seconds/month
AC Power Requirements	100/120/200/240 VAC, +/- 10% 50 or 60 Hz, 42 Watts nominal
DC Power Requirements	11-16 VDC @ 2 Amps
Operating Temperature	-10° to 50° Celsius
Weight	13 lbs (5.9 Kgs)
Size	13 1/8" W x 13" D x 5 1/4" H

Musings

of the Members

Thoughts from NRC members ... the opinions expressed in this column are those of the individual writer and do not necessarily reflect those of the editors, publishers, or the National Radio Club, Inc.

Dave Schmidt

P. O. Box 11502

Wilmington, DE 19850-1502

Times are local per Musine.

ED MITKUS - RR#2, BOX A-108, ZIONVILLE, NC 28698

It's been a while since I mused so.....To tape whatever comes across my speaker, I've upgraded my tape deck, just in time to hear these - WPUV-1580 4/2 1900 w/s/off, one of my most wanted from SW VA. Also WCNT-1480 made it here 4/2 1852, lots of ads & talk. And while hooking all this up, WLLI-930 snuck in for a time 3/29 1915 w/s/off. Lots of strange conditions, complete black-out of the dial at times except for 'regionals' at night. Station news shows WVT0-1510 still on after signing off for the month of February. Still travel news but no longer "Mountain Music", now AC. Totals now stand at 618 heard here since 2/85. Gotta go....

KEN ONYSCHUK - 13612 WENTWORTH AVE. - RIVERDALE, IL 60627

Got to relate a recent experience, recently we left work early to put in a job application at E 103rd Street in Chicago. Our car radio is poor (78 Olds purchased in Dec.), I believe it lacks resistor plugs as we get electric noise even on local stations. Driving E on 103rd listening to WJJD-1160. At Halsted Street, we notice splash from WOPA-1700. Got to Cottage Grove Ave and WJJD was 'wiped out'. Following this, and after submitting the job application, we drove E to take the Calumet Xpressway (194) South. When we just got on, WJJD returned and the 9 WOPA towers were just 1 block W near 104th Street. This was about 4P. Anyone else have a similar experience? This also happens while listening to WAUR-930 driving past WLS on S. La-Grange Road near Orland Park, losing the signal a couple of miles either side of 180. The Sun-Times recently mentioned that WTAQ-1300 has finally moved its transmitter site to Alsip, I car-nicely loop it now. I did try for the KBYR-700 & KOTZ-720 tests but WELW & WGN were on at the time, nuts! Maybe I didn't wait long enough. I'm following the Bulls bigtime, I'm still a White Sox fan but they have lousy radio announcers, I watch it on Ch. 9.

MIKE HARDESTER - P O BOX 8159 - CAMP LEJEUNE, NC 28542-8159

Greetings! V/1 in from WABI-910 for state #45 and ME #1 verified! Wonder if I'll 'ever' get the last 5: AL, NH, RI, VT, WI? A few questions, 1st: what is the "city of license" for a radio station? Local WWOV-1580 is listed with Camp Lejeune (a USMC base) as the 'city of license'. Local IDs, s/on & s/off announcements give "Camp Lejeune/Jacksonville" IDs. Base Public Affairs confirmed what I already knew, WWOV is in NO way associated with the base. Along the lines of stations, I just took a week of vacation and did some sight seeing (read: ant./station locating!). As in most places, the transmitter site/towers are not marked with any identification. Some topographic maps list antenna towers but many don't. Local (gov't topographic) maps used for military exercises don't identify towers. Does anyone know of any maps (source) which identify towers/locations? I've found several 'in the middle of nowhere' and have no idea to whom they belong. Also, while driving around, I discovered a 'new' (to me) TIS operation (no calls) on 1610 khz which is operated by the NC DOT Div. of Ferries. The tape gives info for ferry times, reservations, etc. Finally, a puzzle (reported to DDXD-E), on 2/22 between 0620-0645 EST on 1000 khz a station was noted (c/u WLUUP) w/a promo by Nat King Cole (yes, I know he died some time ago) "Hi. This is Nat King Cole...who went into a promo congratulating "...this fine station on their recent increase in power." A female followed w/a similar promo adding "...serving a greater area..." A review of the bulletins, the NRC log, checks by Jerry Starr and correspondence/phone calls to WTAQ-AL, WLUUP-IL, WMOF-TN, it has been determined not to be those (WTAQ & WMOF had CPs). I've tried several times since to see if anything would 'appear' on 1000 khz but only WLUUP. KFLG-AZ (also with a CP listed) on an ET? Any other ideas? Help! Very 73 & Best of DX!

JOSEPH K. JOHNSON - 3119 GIBBONS STREET - SAVANNAH, GA 31404-4910

Greetings once again from the Hostess City. A year ago when I printed my first musing, I predicted that WMOQ-630 would change from oldies to news/talk. In April, WMOQ celebrated its 1st year as a news/talk station. WHIR-1130 now tries format #8, Business News, which I predicted if their Travelers Information format didn't work. This one has a chance for success. 73's

MIKE BROOKER - 99 WYCHCREST AVE. - TORONTO, ON M6C 3X8

The start of the baseball season and the return to daylight saving (UTC-4) time means the end of another DX season (no playoffs, hi!). Despite some incredibly abysmal conditions, there were a few highlights in the 1990-91 DX season: WEND-760, KGH-880, WZNN-930, KOWO-1170, WNNW-1110 plus the usual assortment of pirates on SW around 7400 khz. I guess the real highlight was joining the NRC! DX NEWS always surprises me with useful stuff you just don't find in other clubs. The histories of CKLW & CHYR were fascinating. The area code map was another bit of useful information. Of course, there is an area code map in the local directory but a Metro Toronto phone book is a little too hefty to keep next to the receiver! In 1993, S ON will have a new area code: 905. Toronto and the surrounding suburbs (those whose postal code starts with M) will remain 416, the rest of the 416 code becomes 905. The Toronto area is running out of phone numbers! This due in part due to the large number of fax machines. Speaking of machines, how about the Montreal Machine? Even though I didn't much like singular team names, I guess they had to pick something that would be the same in both official languages (la Machine de Montreal in FF) for Canada's entry in the World League of American Football. The Machines flagship stations are CJAD-800 in EE & CKAC-730 in FF. Does anyone know the flagships for the London Monarchs, Frankfurt Galaxy or Barcelona Dragons? And wasn't there an all comedy format with the

call letters WJAF? (No, it was WJOK-1150 Gaithersburg, MD. it didn't work, station was sold and it is now WMET. I don't know if KMDY is still around-DWS). CKEY-590 is now "Country 99". Since the demise of CFCM (now heavy metal 'The Hog'), Toronto had been without a CW station.73

CHRIS CUOMO - 670 THIRD AVE. - VERONA, PA 15147-1349

I am back amongst the ranks of the analog tuning! The power supply that my Delco ETR was hooked up to broke down, sending 1 volt of AC power into my radio. This fairly small amount of power was enough to cause a faint but noticeable buzz across the AM band. I have called up from retirement (alias, the closet) my Grundig Music Boy. I have been asked occasionally about this radio so I'll describe it this way: It was made in 1969 in Portugal for the German Grundig Corp. Its internal antenna is very directional as portable radios go and its tuning is tight. VERY tight! You can hurt your hand if you do a lot of tuning in a DX evening! This does, however, prevent drifting off frequency and makes 'split' frequency tuning possible, though this is really not the radio to use for TA reception. In addition, it tunes LW, FM & SW from 5.8 to 7.6 mhz, a poor choice of SW spectrum to cover, mostly SSB utilities and amateurs and no WWV for propagation indexes. Still, it will outperform my Superadio II, even though it has no external antenna jack and an admittedly odd name. If anyone may have any info on this set, such as ads or performance reviews, please let me know. I am now working a night shift job which should make it easier for me to stay up late and DX on the nights that I don't work. 73s.

GEORGE A. SANTULLI - 912 MARSHALL DRIVE NE - LEESBURG, VA 22075

The DX season has come & gone and unfortunately I didn't have too much time to listen this year due to work constraints and travel. I had hoped that this would be the year I would hear New Foundland but the war broke out and the CBC went AN, blocking any chance for NFLD. Somehow I managed to be on a trip for most of the great DX Specials, but I did get around to listening for some. I wanted to take a minute to thank all of those hard working folks who put out this outstanding bulletin that makes our hobby great. Can you imagine what it would be like to DX without the aid of DX NEWS with its vast amount of information sharing and tips? I sure can't! I have been in the NRC since about 1964 with a few years missing due to college, etc., but in my opinion the club and its publications just keep getting better. As we move into the summer season, I for one would like to try some FM DXing, but have no idea what receivers/antennas those guys use who pull in the interesting stuff. Maybe a column by some of the FMers would be of help to the novice FM listener to include when to know about good conditions, etc. I have never considered it, but this summer I would like to give it a try. Naive as it may sound, but is there an indoor FM antenna that would give good service? Hope to see an FM column addressing these questions or from some members who are successful with it. Good listening to all & have a pleasant summer. 73s.

BILL NIENAJADLY - PO BOX 2999 - CLIFTON, NJ 07015-2999

Greetings, a short intro: I'm 32 years old, DX TV/FM mainly, AM sometimes. Most recent catches are WOL-1450 & WDEL-1150. I am a member of the WTPFA and edit the ETVDX column for the club (or at least attempt to!). In answer to RJE's column (V58,#23, page 37), yes, the DX 440 ext. antenna RCA jack can also be connected up to an FM antenna and maybe AM, too. I have found the GE Superadio to be more sensitive than the DX440, having been able to hear WZ-1030 in the afternoons on the Superadio but not the DX440, this with WINS-1010 & WEVD-1050 5 miles away. All time AM catches include KSL-1160, KOA-850, RJB-800. Never had the west coast, I haven't done any real serious AM DX since the late 70's, but have been checking out the dial more recently. I'm wondering if the 1160 Oakland, NJ CP will get on the air, it will have a very tight pattern with the signal beamed through the Bronx into CT, protecting WORM, several stations in PA, one in upstate NY, thus missing their prime area of Bergen County and anything south. This, included with the price of land, it doesn't seem possible. Good DXing!

VIC MELIS - 501 KLEMAN ROAD - GILBERTSVILLE, PA 19525-9752

While the Gulf War boosted ratings for all-news WINS & WCBS, Philly's KYW audience share stayed level with listeners tuned to WPEN-950 and CW WXTU-92.5. In the latest Philadelphia Arbitron ratings, WPEN moved from #6 to #2, increasing its overall share from 5.5 to 6.9 (& 5.3 to 7.7 in AM drive). All news KYW-1060 remains in 1st place but surprised analysts with no increase in audience share of 8.8 (13.7 in AM drive), despite extensive war coverage and network updates every 10 minutes. All talk WMBB-96.5 fell from #8 to #11 but black talk WHAT-1340 tripled its ratings, moving up from 21st to 18th. Country station WXTU-92.5 which played patriotic songs & CNN war updates, moved from #11 to #6, their highest ratings since switching to country 7 years ago. WIP-610 did its annual slide (this time from 3.2 to 2.4) following the end of the Eagles season. To add to CBS woes about WOL-1210 slide to 20th place, its FM (WOL-98.1) slipped from 10th to 12th. WOL-1210 carried 24 hour CBS coverage during the first few days of the war before resuming the oldies format. Since the end of the war, they reinstated the hourly CBS news which they had not carried since the demise of WCAU last August. And now an update on who's doing C-QUAM AM Stereo in Philly: WEAZ-560, WPEN-950, WZZD-990, KYW-1060 & WOL-1210. I don't know of any AM stereo broadcaster in this area presently using the Kahn-Hazeltine system, but if anyone changes, my Sony multistandard AM stereo (with narrow/wide bandwidth) car radio can handle it. Recent FCC relaxation of TIS emission restrictions explains why the Valley Forge Park TIS on 1610 can be heard for up to 20 miles. Its 2 minute tape loop can be heard easily 18 miles west to Gilbertsville and 15 miles east to Philadelphia. With the end of Unistar's 'Music of Your Life' on 4/15, local WPAZ-1370 switched to AdCom as 'The New Light 1370, WPAZ'. For Christmas, I received a DX440 and now that the warranty has expired, I can install the 150 khz FM IF filters a modification that did wonders for an old analog Marantz tuner that I modified last year. The DX440's selectivity and sensitivity on the other bands is not to bad. AM selectivity on the DX-440 in the narrow mode is considerably better than with the TRF, Superadio or McKay Dymek AM5. For example, I can tune within 5 khz of local WPAZ-1370 to pick up clean signals on adjacent frequencies, while they're nearly impossible on the TRF or Superadio. The DX440 works in my

car with the auto antenna plugged into the units external antenna jack. It picks up even the weakest 84 & FM signals with no ignition noise. Unlike the thrill of driving through a phase-distorted null in a directional AM signals pattern or severe FM multipath, SW reception on the road combines some of the pros & cons of both bands. Exploring new SW frequencies or just listening to the BBC World Service or Radio Moscow while sitting in traffic is a great alternative. AM reception on the DX440 in the car is a bit more static-prone since connection of an external antenna does not decouple the units built in ferrite roof. No change noted in WURD-900 signal since they dropped a tower, they're still buried under CHML most Mns. WVCH-740 continues its zoning battle for construction of a 6 tower, 50000 watt sight in a residential area just west of Valley Forge Park. Its strongest opposition comes from two pharmaceutical companies concerned over possible RF interference to electronic equipment to be installed at new sites now under construction within several miles of the proposed towers. That's all for now. 73's.

DON TREFORD - 3 MUIRBANK BLVD. - SCARBOROUGH, ON MIC 4R8

Time for another Musing. I started one some time ago but misplaced the rough copy and never got around to writing it again. This season has been fairly good, but I DX year round as it is surprising what can be picked up in an off season. Outstanding DX event lately was my long awaited trip to my house in Runaway Bay, Jamaica. Took along my DX440 and strung up a LW on the roof. Was able to pick up all the Jamaican stations during the day, and a host of Cubans (seem to be on almost every frequency). A bandscan will appear soon. Best day catch was Armed Forces Radio in Guantanamo Bay with 250 watts. At night, a lot of the Cubans disappear, and the US stations come in, best catches were CHTX-990 and a loud and clear WFTL-1400. Plan another trip in mid May, if any member would like to join me, please drop me a note. I have room for 10 people (5 bedrooms) and I will only charge a minimum to cover expenses. Have only heard 3 of the CPC tests this year. A summary of my veries shows a grand total of 243 (from 89 to present), 5 Canadian provinces, 30 states, Neth. Antilles & Anguilla. Wrote to APN for the Guantanamo Bay station, does this count as a US territory or a country or what? Yesterdays mail was a bonanza, 5 letters from stations (2 veries, 1 SW and a 2nd letter from WZNN-930, were not sure they had replied to my report!) and a letter from WNEP-1450 saying it was not they whom I heard (we can make mistakes!). Its nice a few stations are good enough to do this. This happened with WBAB-1240 and when I did actually get them and reported it, they sent me a dozen different bumper stickers! Another report on our return from Jamaica. 73's

EARL HIGGINS - 6631 WASHINGTON - ST. LOUIS, MO 63130

As a member who just rejoined after a 10 year lapse, I need to catch up on whats been happening throughout the 80's in our hobby. One area of most excitement to me personally, and one which has experienced revolutionary change in the last 10 years is the application of computers to DXing. As an information management and retrieval system, PCs are ideally suited to a variety of tasks related to DXing and I feel many possible uses haven't begun to be exploited. Among these are: keeping the NRC Domestic Log in electronic form, keeping ones personal logbook 'on disk', maintaining a club BBS (Computer Bulletin Board), accurate distance/azimuth calculation for stations, generating various maps, generating reception reports, instant electronic mail between members, desktop electronic publishing of DX NEWS and other NRC publications, electronic submittal of loggings to the various columns, even Musings (these could save the editors a LOT of typing time), to name but a few. Do we know how many members have computers and of what type? May there be an interest in a regular column in DX NEWS devoted to computer applications in the DX hobby? If so, I would be glad to help out in any way possible. I am a software engineer for a major aerospace company and have several years experience programming in a variety of high level computer languages. My Prodigy ID is XFWX92A in case you may want to send any comments. 73

HANK HOLBROOK - 407 ARUNDEL ROAD - FAIR HAVEN CLIFFS - DUNKIRK, MD 20754

Of 2,849 CCB stations verified since 1946, 374 have been via special DX programs arranged by various radio clubs, NRC, the old NNRC & others. If I counted correctly, the NRC arranged about 20 DX programs this season. Most of the nearby stations were already verified, while most of the distant stations were out of reach of this DXer. However, given the band conditions when I started the hobby back in the mid 40s and even into the 60s, many of the distant stations would have found their way to the east. I went back through my log and pulled all the DX programs verified. There were some lean years as far as I was concerned, as many years I was chasing foreign CCB stations, on LW searching for ships and beacons or some other band chasing broadcast & utility stations so my totals don't represent the DX programs presented through the years but they do show some interesting stations that could be pulled in, reported and verified in the past. By the years, stations broadcasting special programs arranged by the NRC & other clubs that were verified by this DX'er: (we'll show it as year-verified & best catch-DWS): '47-2-KDSH-950 ID; '48-44-KFTI-1270 ID, CBH-1330 NS w/100 watts, KENO-1400-NV; '49-36-KSBM-1390-CA, CFAB-1450 & CKEN-1490, WXRJ-1540 PR, CJRW-1240-PEI; '50-7-WDD-1490-PR, CE57-570-Chile, HCJB-974, KC28-1090, YNN-930; '51-7-OAXV-1010 Peru, YVQJ-1080 Venezuela, CHFA-680-AB, 4VGN-1430 Haiti; '52-3-WGBY-1450 Guantanamo Bay w/50 watts; '53-25-KPYU-1450-WA, XEHB-920-MX, YSDF-1330 EI Salvador, 4VYM-1250, KIUL-1240-KS, WPPP-1450-WI, KRSD-1340-SD; '54-41-KCNO-570-CA, KUJ-1420-WA, KPIG-1450-IA, KPOT-1340-NE w/100 watts, KOPE-1150-WA, KUTI-900-WA, KWIL-790-OR (most distant per stations w/only 20 watts of their 1000 watts beamed toward MD); '55-40-KGDN-630-WA, KLGJ-1390-UT, KWBY-740-CO, KLTR-990-CO, WVDI-600-Trinidad; '56-38-KSLV-1240-CO, KTHE-1240-WY, CMHW-810-Cuba, HJAL-1460-Columbia, St. Pierre Mt-590 & KDAY-1580-CA; '57-34-KBIG-740-CA, KUTU-990-UT, KINX-1230-NE, KFJM-1370-ND; '58-8-KRCK-1360-CA, WIVI-1040-VI, WLEO-1370-PR; '59-'60-'61 showed none; '62-19-CB73-730-Chile, KHOK-1560-WA, KYNG-1420-OR, KPOR-1370-WA, CHEP-1450-PQ, XEYC-1460-MX; '63-14-WBNB-1000-VI, KXEX-1550-CA, KMYB-1440-AZ, CFSE-1425-PQ w/only 50 watts; '64-1-HOXO-760-Panama; '65-7-HCRM-1-565-Ecuador, KDKO-1510-CO, KACY-1520-CA; '66-5-CFAM-1290-MB, KULE-730-WA, KALF-1510-AZ; '67-11-YSF-840 EI Salvador; '68-1-WCAS-740-WA; '69-1-Anguilla-1505; '70-1-WCVR-1320-VT; '71-'72-'73-'74-'75-'76-'77 all nil, nothing reported; '78-2-WKEM-1490-FL, WPUT-1510-NY

w/875 watts; '79-'80-nothing; '81-4-KBYE-890-OK; '82-2-WOMP-1290-OH, WHND-560-WT; '83-2-WSHM-15-90-WI, '84-2-WNRK-1260 (very rough through local WNDG); '85-2-WZAL-1540-GA only 4 watts!; '86-2-KPCR-1530-MO, '87-3-WWGR-960-TN; '88-1-WASG-550-AL; '89-3-WZZZ-1300-NY; '90-5-WBTU-1210-LA; '91-1-WNLC-1510-CT, plus a report just sent to WJTZ-640-TX. In the early days, there were far fewer stations on the air therefore far less interference and some stations came through on open channels with NO ONE there. In those days, CW IDs were not used and not necessary as they are now! Good DX & 73's! (Thanks for your fine report, Hank, I can very easily recall also hearing the tests from WULE-730 & KALF-1510 in '66 when I discovered what MM's were really like! How times have changed so much in so little time!-DWS)

RUSS EDMUNDS (WBZBH) - 75? VALLEY ROAD - BLUE BELL, PA 19422

Just received #24 and thought I'd best drop a few lines. As you can see from occasional appearances in DDX and the occasional ANSWERMAN column, I'm still around. DX has been a little slower this season than last due mostly to the fact that last season was heavily catch-up for 10 years of inactivity. This year has been less so. The other reason has been increased business travel. I just returned from 4 days in Macon, GA, in Feb., had 2-3 day trips to VA Beach, VA and in Dec., 3 days in Macon. This is in addition to 1 day trip a week the past few months. Nothing significant on AM on any of these trips, mostly due to electrical noise so I've tended to DX FM in both Macon & VA Beach. In just the short time there on 2 trips, I'm over 100 FM's heard only on car radios in Macon. I'm still trying to sort out my problems DXing AM at home. A water tower less than 1/2 mile away is part of it, proximity of major locals (KW-1060, WZZD-990 & WEAZ-560 are all together about 4 miles away, WNAW-1110 is only 2 miles away & WTEL-860 is about 6 miles away). (Throw in WPGR-1540, too, Russ, it's not far from you either!-DWS) The daytime mixing products of 990/1060/1110 are a real problem! Dallas Lankford's recent article helps me figure out another piece but the FET 4' altaz combination was fine in NJ where I had more powerful locals but at a greater distance even though in my last NJ location, most of them were still line of sight. The 2' loop was always too much gain when amplified and not enough when not used with the HQ150. It worked far better with the HQ145 I got rid of 15 years ago. I'm going to make one last try with the FET amp then try to run the 4' loop barefoot and see if that helps. Having the shack in the basement isn't optimum either. And this summer, a longwire with surely go up-hi! Lots of UNID SS during aurora of 3/26, 1550 never did determine whether Coral Gables or PR was there, no IDs or slogans heard. 1180 may have been VOA, awfully strong and have even heard someone with 'Radio Cadena Mundial'. On 840, repeated 'Da Soli' & 'De la noche, W' (double-vay). I have no even remotely current source of LA station info. I've ordered the Cuban list from Ken but even that's old. I hope we're not going to get too heavy back into country counting things again in the 90's. My vote is and was, to have a club set only such minimum standards as it needs to run its Achievements columns and otherwise to let each DX'er decide for him/herself. Same goes for counting stations/call changes/facility changes. 73's

RICK DAU - 401 EMERALD STREET, APT. 9 - IOWA CITY, IA 52246

Greetings from IA, the home of corn, Hawkeyes & Riverboat Gambling! On to the important stuff, like DX. On 4/4-4/5, I was able to take some time off from work and make a little side trip to IN. On 4/4, I swung through Peru & took a tour of WARU-1600. My guide was CE James Swearingen, who has been kind enough to due a pair of tests for the NRC over the last 2 seasons. We had a good conversation about radio & DX while roaming through WARU's studios. After WARU, I continued E through Wabash where I stayed for the night. While there, I called IRCA member Tom Laskowski in S Bend to let him know I was in the area. He drove down, brought his veries and we had a great visit, having not seen him since 11/89. The next AM, it was back home to IA. A few days alter, I was travelling through WI and stopped in Macomb to say hello to Frank Merrill. On 4/20, I attended IA's spring football game at Kinnick Stadium and was able to talk with sportscaster Bob Brooks, talking mostly about UI football. Brooks & Larry Morgan make up the Hawkeye Network, one of 3 networks that cover UI football around the state every fall. My Radio West loop is on its deathbed, and for some time now, I've been toying with the idea of getting a Palomar loop to hook up to my Kenwood R1000. If there is anyone that has a Palomar loop they would like to unload and is attending this years NRC bash in Bridgeport, let me know ASAP to see if we can work something out at the convention. My 1st experience with a Palomar loop was at last years IRCA convention in Knoxville & I was mighty impressed. Phone # here is 319-338-2450, if I'm not home, please leave a message on the machine. Until next time, 73 & good summertime DX!

KEN MACHARG - CASILLA 691 - QUITO, EQUADOR

Greetings from the land of the Equator. DXing here both on SW & MW is different, not only from the location in SA but being on the Equator. We are finding that Pacific area SW is very strong morning and evening while Africa is most impossible. Just before I left the US for language school in Costa Rica and then on to Ecuador, I bought a Radio West Great Little Loop. It has been a lot of fun to play with and has proven its worth in DXing. While many more US stations could be heard in Costa Rica than here, I have had some success from here as well. Among those heard from Quito have been KAAY, WCBS, WABC (tentative), WFAN (very strong), WLAC, WKCY & WHAS which came up from nowhere on an almost totally dead band at 12:50 one morning, stayed there long enough to ID it, then faded never to be heard again! I expect that most of these with verify. I am still waiting for some veries from my Costa Rica listening but international mail being what it is, maybe my letter of their reply has been lost. Most NA DX has to wait until after midnight when many of the Ecuador stations sign off. Of course, sitting at the bottom of the mountain where most of Quito's transmitters are located (including HCJB's big 50000 watt DA) doesn't help! By the way, contrary to what I've read in DX NEWS and other publications, according to some former 4VEH staff people who now work at HCJB, 4VEH is still on SW just not in English. Many, many thanks to the DX NEWS staff for a good job! I look forward to the bulletin every week (less now) since it is my only contact with what is happening on the US broadcast scene. Please keep up the good work!

ROB KEENEY - 10315 ANTIPOCH - OVERLAND PARK, KS 66212

It was nice visiting with old friends Bob McDay & Neil Zank at Neil's house recently. They were getting me excited about the upcoming FM season. I have never really gotten into FM DX before, maybe this year. While I was in Lincoln, I stayed at the sight on the '77 NRC Convention. The only thing leftover from that event was the status of the Unknown DXer next to the pool and a very wet cardboard box. Most of my arduous listening time was spent looking for Russ Limbaugh while travelling on business. With 140+ stations on his EIB network, it gets easier all the time! I'd like to hear from any KS-40-IA-NE NRCers that would like to get together when I travel in your direction. Drop me a line with your address & phone number and I'll let you know when to expect me. My phone number is 913-649-1405. I also have a FAX on that number. The noise level around here seems to be improving. I'm still waiting for my new Radio West Loop. The Walkman's performance continues to amaze me. Diving from our cruise ship to the Bahamas in March was nearly impossible due to non stop rain! Dave, your doing a great job with the column, it's wonderful to see the support picking up again! (yes, your someone please come and pick me up off the floor-hi!-DWS). I'll save some for later. 73 (Thanks, Rob!-DWS)

WALT BREVILLE - 9127 CORAL DRIVE - ST. LOUIS, MO 63123

Since I haven't Mused for maybe 3-4 years, its time for another one. I've been a member since '64, DXing from the St. Louis area since then. My first few months in the NRC was during an Air Force hitch at Watertown, NY's radar station where I met my 1st NRCer friend Jerry Bond. I attended a number of DX conventions, starting with Cedar Rapids, IA in '65, ending with Louisville in '82. In recent years, my spare/travel time has been cut due to taking care of 2 houses and my elderly mom, along with more overtime at work since '82. I've been mostly a spectator instead of participant in the game of serious ECB DX with just roughly 1000 stations in 43 states logged, the log got lost so I lost track of exact totals. 800 of them I got between '64 & '69. I do not count call changes with the vastly increased frequency of call changes in recent time, I'm glad I decided that. Also acquired some 270 veries from 39 states until I decided to quit sending reports & collecting veries in '78. I'm now 52 & happily single. In spite of the incredible deterioration of the AM band dXability since the 60's, I have managed to keep interest up & renewing to DX NEWS by remembering that it is the fun and magical enchantment of hearing AM DX stations not competition of accumulating totals that AM DX is all about. Things have happened that renew interest, such as the development of digital readout radios in about '79, AM stereo and occasional travel to places far enough to produce a different set of stations on the dial so on trips I'm always ending up DXing instead of watching TV or going to nightspots! That always renews my interest as I once again get into the ebb & flow of AM DX signals. Just got back from a flight to Baltimore where I visited my brother, also making quick trips to DX & Philadelphia. My rented Cavalier had a very nice AM section with good sensitivity & audio as well as that all important digital readout on its AM/FM RX. Caught DS on the phone for a brief chat enroute to Philly, that made me decide to come out of the woodwork, hope some of you other old timers do so, too! (Thanks for the call, Walt, and your report-DWS)

EDWARD A. SOULE - 6201 DERAMUS AVE. NW - HUNTSVILLE, AL 35806

It has been many years since I graced this column, so quickly, I am a United Methodist minister & DX as a way to put myself to sleep mostly. I am not really gung-ho but I really enjoy DX NEWS and read it avidly. I have lived in Huntsville for 15 years now, but that is due to change in June, as I am receiving a new appointment to a church in the Florence, AL vicinity. I worked for 10 years in radio, 1 year at KPNW AM/FM in Fargo, back when it went from 900 to 1170 khz (75-76), and 9 years at WNDM FM Huntsville before returning to the ministry. Thought I share some about what's happening here before I move, most of the changes have been sent to Bill Hafe but thought these would be of interest. There has been a lot of energy expended in recent months in letters to the editor concerning changes in the radio scene here. A few years ago, WKQD Tullahoma, TN moved its studio to Huntsville & its transmitter to a location about halfway between here & Tullahoma. They were starting to get pretty good ratings. However, they were short of cash and tried to sell to the couple who own WTRK. The sale, although approved by the FCC under some conditions which were not met and they backed out, leaving the successful AOR station with money problems. Enter Bill Dunnivant, who is principal owner of WRNA/WZYP. WZYP is the top contemporary station in the Huntsville market (licensed to Athens but the transmitter is less than a mile from the city limits). Through another name, Dunnivant leased airtime on WKQD 920 hours a day! and put on his own DJ's under other names. They would play a few country cuts interspersed with album rock. Then they ran a tape loop of construction noise for a weekend, then returned as WTRK (Huntsville County). It is rumored they are broadcasting from the WRNA/WZYP studios just outside Athens. A lot of AOR fans have howled and filed a complaint with the FCC. It is apparently all legal since the owner of WTRK is Fortune Media. Only loophole might be that neither is licensed to Huntsville. A new facility debuted at AL A&M University, WJAB-90.9, 100 kw, Normal, AL (really just a PO in the Huntsville city limits). It went on the air 5/1 but pulled the plug 5/2, it seems they were using a temporary antenna which put audio interference on a Birmingham TV station, they are now installing a permanent tower and expect to be back any day. That's all for now from here, I'm looking forward to new locals and maybe new DX from the Florence area.

BILL TOWNSEND - 4500 CONNECTICUT AVE. NW #901 - WASHINGTON, DC 20009

It's reintro time again, I'm 60 (when this hits print), happily single and live on the top floor of a 9 story apartment building in upper NW DC. I work as a computer programmer for the National Weather Service (I don't take the blame for the @#%#! weather-hi!) on the 3rd floor of an 8 story DX buster (FM not affected, the building is concrete/steel) in Marlow Heights, MD 16m/26km SE of my pad. I have made plans to see the 7/11 total eclipse of the sun (over 6 minutes of totality) from the ocean liner SS Jubilee off the Mexican W Coast, sailing out of LA 7/7, returning the following Sunday. After the cruise, I will visit with some people I met on my around the world

trip in the summer of 70. We have just come off the mildest winter since 1950 with yours truly outside in summer clothing many days, especially around Christmas. Soixante-treize et bonie DX!

MIKE HARDESTER - PO BOX #159 - CAMP LEJEUNE, NC 28542-8159

Greetings! A couple of recent veries have been received, W0BM-1160 sent a v/1 w/frequency only and a bumper sticker, station zip code is 08754 (vice 08753 as in the NRC log. My 1st NJ verie & state #44. W1SL338-530 (near Williamsport, MD, Exit 2 @ I81, PA/MD) returned my RRC with call data, power is 10 wats. W4M3-830 in Eden, NC is referring to itself as "The Big O" (letter) and the calls may refer to another slogan: "The Word, Worship & the Music". Also, in regards to NC stations, if you have a tentative slogan, s/on or s/off announcement you think may be from a NC station, I'll be more than happy to take a listen and see if I can help ID it. My location is along the E central coast, about 50 miles N of Wilmington. Very 73 & Best of DX!

DAVE SCHMIDT - PO BOX 11502 - WILMINGTON, DE 19850-1502

And that cleans out the file here, everything through 5/19. A couple of reports on shock-jocks and DAB were ranted. A few lines on DAB is OK but until it is something coming into reality, we'll stick with what we've got to work with now. 1:30AM on 4/28 brought the closing on WAMS, on the air in Wilmington since '68 and the place where I really got my start in radio back in the late 60's/early 70's, ending up as CE from '90 till its closing (I'm still on the payroll until the building gets knocked down). Believe me, it really hurts taking this one apart! We have lined up additional work for the company involved in the reorganization of Resorts Broadcasting, with upgrades to be done with WTR-95.9 Bethany Beach, DE/WETT-1590 Ocean City, MD and other stations in their chain, maybe a trip or two (VA & SC). We're still trying to get the RS TR580 system or line but seem to still be having problems with it, maybe an upgrade may be in order for that system. Again, a humble request, if possible, we would deeply appreciate your reports double spaced, it helps save on the eyeballs-hi! Trust all are having a good summer! 73's

Trenton Times
via John Bowker

Path clear for Burlo AM station

By SHERRY WALLACE
Staff Writer

FLORENCE — Now that the five-year legal battle with the township has been won, the Fountain of Life Center is moving ahead with its plans to operate Burlington County's only radio station.

The Rev. Dave Boudwin, the church's pastor and business administrator, said construction will begin next month on three 18-foot-high radio towers on its property at Old York and Burlington-Columbus roads.

The 5,000-watt station with the call letters WRLB (Real Life Broadcasting) 1460 on the AM dial, expects to be on the air within the next six months, according to Boudwin.

The church can start construction on its radio station because the Township Council, at its Feb 7 meeting, decided not to appeal a Superior Court ruling allowing the church to build the towers.

Neighbors who opposed the towers said they feared the effects of the radio waves and worried about possible interference with TV reception for homeowners in the area.

Boudwin has said the towers would not adversely affect the township in any way.

"We just hope once we're (the radio station) up and going it will spark people's interest," Boudwin said.



Staff photo by Michael Mancuso

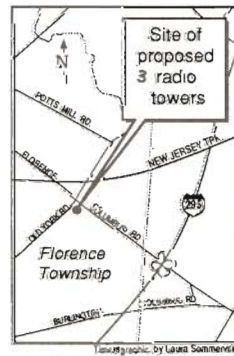
The Rev. Dave Boudwin stands in front of the Fountain of Life Center in Florence, where a radio station will be built.

THE CHURCH'S desire to operate a radio station dates back about 12 years, when the local county station, WJLZ, went off the air, said Boudwin.

"Operating a radio station was the dream of our senior pastor, Paul Crane," Boudwin said. "When WJLZ's license became available, we immediately applied to the Federal Communications Commission."

"It took us three years to gain the license from the FCC, after which on battle with the township started."

The station's studios will be in the church building on Old York Road. The station's signal will reach Philadelphia, as far south as Atlantic City, and northward to Trenton during the day but would have to cut back on power to avoid interfering with other stations at night, Boudwin said.



The Answer Man

Got a question about radio? Send it to NRC's Answer Man: Russ Edmunds - 753 Valley Rd. - Blue Bell, PA 19422-2052. No question is a dumb question, and Russ will answer all, from basic to highly technical. Watch for the answer in DX News!