



DX NEWS

*the magazine of the
National Radio Club*

— SINCE 1933 —

VOLUME 53 ISSUE 20 February 24, 1986

Okay, pay attention. This really happened. One of you called into our answering machine here and told us all about how you've enjoyed the DXN and so forth over the past 6 years and you also said that issue 18 had some blank pages in it. Well the one thing that you forgot to tell us was who you were!! The message you left isn't much help. PLEASE, when you call us, leave us your name, at least!, and why your calling. Oh yea, whoever you are, how about calling us back or writing us a postcard. Your new issue is ready.

To continue my discussion from the last issue on calls and letters we get here. We get alot of questions about studio equipment and setups. What I'd like from you folk is pictures that we could run in this here magazine on the different studio setups, different audio boards and etc. You guys and gals that work at stations, why not take a picture of the different setups and maybe some close ups of some of the different decks and mics used.

Coming soon, neat stuff from Alaska and from Cuba as well as more station profiles, maps, and construction articles from Mr. Connelly.

The IDXD Column header is under construction, so to speak, so please excuse the mess, hi.

Inside on page 13 is a list of items from John Clements shack. this isn't a regular DXCHANGE column, but the header fit, hi. For the rest of us the Column will be showing up in the next couple of issues. And please send your items to Russ at: 753 Valley Road, Blue Bell, PA 19422-2052 His deadline to get your items to him is March 1st. Don't be late.

Page 17 starts an article by Mark Connelly on Additional Tuners in the MMT-1 Family. Couldn't get the whole article into this issue so the second part of the article will run next week.

CPC TESTS --- Times listed are EASTERN Local Time

You'll get better returns if you include an SAGE with your report.

And even if you don't hear it, at least send a postcard thanking the station.

Mar 10 KSPD-1050 Spokane, WA 0300-0330, tones, music, IDs. Reports to: Leigh
Monday Brown, CE, 6019 S. Crestline, Spokane, WA 99203. Arranged by Wayne Heinen
and Jackie Cole.

Mar 31 KPCR-1530 Bowling Green, MO 0300 - ???, Voice, Code ID's, and music will be
Monday used. Reports to: J. Paul Salois, President, KPCR Radio, Box 1, Bowling Green
MO 63334 Arranged by Wayne Heinen and Dan Bartek for the NRC.

LOOK INSIDE:

2....AM Switch	4....DDXD - East	7....DDXD - West
8....IDXD	11....Top End	13....DXCHANGE
15....Stn Profile - WEXL	17....Additional Tuners-MMT-1	22....Musings

Listen to HCJB "DX Partyline", 0230 UTC Saturday night, for the "AM Interlude" Program with Wayne Heinen. Other stations carrying NRC items, such as DX Audio Service material, include Radio Earth, Radio RSA, WHBI, and KCBI!

②

AM SWITCH

Jerry Starr, c/o WHOT Radio, 401 N. Blaine Ave., Youngstown, OH 44505

CALL LETTER CHANGE

Old call: New call:
730 WPKX VA Alexandria WCXR

APPLICATIONS FOR NEW STATIONS

1600 NY Geneseo: 1800/620 U4

GRANTS FOR NEW STATIONS

760 KS Overland Park: 1000 D3
830 SC San Souci: 2500/500 U4

APPLICATIONS FROM EXISTING FACILITIES

860 WGOM IN Marion: add 500 watts nights
1170 WHNE GA Cumming: power to 5000
1210 KASY WA Auburn: day power to 50000, antenna to U5
1420 WACK NY Newark: night power to 5000

GRANTS TO EXISTING FACILITIES

910 WPRP PR Ponce: night power to 5000
1250 WLEM PA Emporium: to 650 kHz with 5000 D1
1520 WYFC MI Ypsilanti: to 990 kHz 500/250 U4

OTHERNESS

540 KKAR CA Hesperia: new station is testing
590 WAFB FL Clewiston: granted extension of CP for new station to 4/24
640 WWJZ NJ Mount Holly: granted extension of CP for new station to 7/22
660 WTUJ MS Ridgeland: granted extension of CP for new station to 4/30
670 *CP* CO Commerce City: requests extension of CP for new station, has not yet applied for calls although over a year old
720 *App CA Atascadero: application for new station returned
*App CA Selma: application for new station returned
*App FL Dover: one of two competing applications for new station DISMISSED
750 WWII PA Shiremanstown: granted extension of GP for new station to 7/28
KMGF MN La Crescent: granted extension of CP for new station to 7/8
WYHV NY Canton: granted extension of CP for new station to 4/25
760 *App MO Smithville: both applications for new station DISMISSED
800 WVAL MN Sauk Rapids: granted extension of CP for new station to 6/18
820 *App MA Weymouth: application for new station DISMISSED
*App MA Whitman: application for new station DISMISSED
830 WACN KY Franklin: requests extension of CP for new station
860 KTRB CA Modesto: 50000 watt CP is on
890 *App CA Rosamond: one of two competing applications for new station DISMISSED
900 *App MN Blackduck: application for new station returned
980 WJIW NY Cazenovia: granted extension of CP for new station to 6/13
1000 WXWY AL Robertsdale: new station is on with C&W format, heard here in Youngstown 2/9
1020 WKZE CT Sharon: granted extension of CP for new station to 8/8
1040 KSDG CA San Diego: granted extension of CP for new station to 7/8
1130 KYOO MO Bolivar: granted extension of CP for 1200 kHz to 7/29
1240 KYPB AZ Quartzsite: granted extension of CP for new station to 6/18
1250 WMLI ME Brewster: requests extension of CP for 1200 kHz
1330 WSPQ NY Springfield: granted extension of CP for new station to 4/2
1390 KKDV CA Fields Landing: requests extension of CP for new station
1460 WEMR PA Tunkhannock: granted extension of CP for new station to 5/13
1500 WTNE TN Trenton: granted extension of CP for 890 kHz to 4/23

Note that all dates above are 1986.

LOG CORRECTIONS

More changes in recent Log entries noted while sorting through the Database
1030 WWRM MI Sterling Heights: antenna is D3
1040 KSDG CA San Diego: antenna is U4
WAMV WV Green Valley: 5000 D3
1120 WOUF VA Duffield: 250 D1
1160 WYRU NC Red Springs: antenna is U1
WTYN NC Tryon: power is 10000/500
1200 WFLZ FL Thonotosassa: power is 5000/1000
WVRJ SC Hollywood: power is 10000/1000

1210 WGSF TN Arlington: antenna is U2
KUBR TX San Juan: antenna is U4

NEW ADDRESS

1000 WXWY AL Robertsdale: Box 578 36567

And, finally, a reminder: While most of AM Switch information comes from the FCC Public Files and Databases as well as several industry journals, much of the info about silent stations or new stations on the air comes from you, the NRC membership. Remember, whenever any change takes place in your area let us know so we can pass this on to the membership. The FCC does NOT publish a specific list of stations gone silent or new stations on the air.

73 and Good DX,

Jerry & BKF

Jerry Starr & Buffalo K. Foonman

NEW RULES SLATED FOR THE BROADCAST BAND
FRED VOBBE, N.R.C.'S DX. AUDIO SERVICE

The F.C.C. plans to release a report in early 1986 that would examine a wide range of approaches, including future rulemaking, to improve the overall state of AM radio. F.C.C. Mass Media Bureau Chief James McKinney said that one of the first items to be addressed on the applications was the use of synchronous AM transmitters. The N.A.B. and other who commented on the proposed rulemaking asked the F.C.C. to instead devote a rulemaking proposal solely to synchronous transmitters instead of having the plan as part of dockets containing other issues.

Several AM broadcasters have submitted formal complaints to the F.C.C. regarding the higher levels of Cuban interference. The increasing interference seemed to start, broadcasters say, following the October 1985 inauguration of WAQI, Miami, a 50,000 watt Spanish language station operating on 710 kHz. Some of the other frequencies hampered by Cuban interference are 1160 and 1210 kHz. The F.C.C. said that it plans to study the issue further. The U.S. State Department, however, said that no talks with Cuba are scheduled on this issue. For information on the Cuban interference problem you can contact Louis Stephens at the F.C.C. at (202) 632-7792.

Delays continue to be a factor in the signing of the final accord in the United States and Mexico agreement on Daytime broadcast action. The final accord paves the way for Daytime broadcasters on Mexican Clear Channel frequencies to add night operations. A preliminary US/Mexican broadcast agreement was signed in August 1985, with plans for the final signing to be made in November 1985. However, the earthquake in Mexico all but destroyed some of the buildings containing the Mexican Communications Department. The preliminary agreement also paves the way for Class 3 stations to extend their post-sunset operations past 6 PM local time.

In a related story, daytimers operating on any of the seven Canadian clear channels received show cause orders from the F.C.C. late last summer authorizing night operation. However, many stations said they received lower power levels than expected.

The F.C.C. is preparing for the April 1986 Regional Administrative Radio Conference, (RARC), in Geneva, Switzerland, which will examine expanding the AM broadcast band to 1705 kHz in the Western Hemisphere. Most nations, including the United States, seem to favor relatively low powered (5kW) regional stations for the new band. The band could be opened to broadcasters by 1990. The Docket number for this action is GEN-84-467, and you may obtain more information from the F.C.C. by calling Jonathan David at (202) 632-7792.

Finally, the F.C.C. voted in late October of 1985 to delete its nontechnical restrictions regarding AM applications, otherwise known as "birth control" rules. The NAB and the NRBA had agreed with a Commission proposal to repeal the so-called AM Birth Control measure which places restrictions on the filling of certain AM applications. The rules excluded otherwise acceptable applications for new AM stations and major changes in existing AM stations unless those applications would bring service to an area where there was no service, or where service could be bettered. You can contact Jonathan David at the F.C.C. for further information.

③

DOMESTIC DX DIGEST - EAST

④ Dave Schmidt, 42 Chelwynne Road, Castle Hills, New Castle, DE 19720

Here is the NRC column which is almost as exciting as listening to Eddie Lawrence records (remember him, Bunky!). When sending your items in, please type or neatly write, one side of the paper, EST, not over a month old, et al. And away we goes:

SPECIAL

540 CKCY ON SAULT STE. MARIE - 1/27 0040 w/CW music, news, sports. Ex-920. (DB-NY)

DX TEST

1000 WIFX KY JENKINS - 1/28 0201-0400 xInt at times, mostly CW/Bluegrass, many ID's w/phone # given, Pound, VA mentions, some dial tone, standard s/off at end. (JM-PA)

MIDDAY - MIDNITE

540 WGTO FL CYPRESS GARDENS - 1/22 1755-1800 xInt o/WDMV, both w/CW music, gone at pattern/power cut. (MD-MA)
 WDMV MD POCOMOKE CITY - 1/21 1730-1740 alone w/CW music. (MD-MA)
 570 WAAX AL GADSDEN - 2/2 1824-1830 very good w/WKBN nulled w/ID, ABC sports, jingle/ID, CW music, til power cut. (JM-PA)
 600 WFST ME CARIBOU - 1/19 1734 good o/u WICC w/CW music, promo, rarely heard here. (MD-MA) If I've never heard them, would that be a raw catch for me? (DS)
 620 WYMT VT BURLINGTON - 1/19 1741 way atop w/rock music, common here but I like to make you guys in MI & IL jealous! (MD-MA) If I get any nasty comments on that, I'll forward them to you! (DS)
 640 WFNC NC FAYETTEVILLE - 1/19 1646-1700 good w/Tar Heels Sports Net, ID, ad, MoR music, ex-940 & there goes the freq. (KG-PA) 1/27 very strong w/'PM Fayetteville' news, ID. (ED-NC)
 WHLO OH AKRON - 2/1 1700 fair w/ID, dualed w/Canton. (LM-NY)
 680 WCTT KY CORBIN - 1/28 1812 w/ads, news, KY network, atop w/no sign of WPTF. (ED-NC)
 710 WFNR VA BLACKSBURG - 1/23 1718-1730 good in WOR null w/CW music, ads, weather, ID as Super 710, All New Country. Faded by s/off. (JM-PA)
 730 WDOS NY ONEONTA - 2/1 1640 fair/good in WACE null w/female anc'r, local news headlines, rock music. (LM-NY)
 740 WNOP KY NEWPORT - 1/23 1737-1741 strong w/KRMG w/jazz music, Cincinnati ads, jazz anc't, faded. (JM-PA)
 WPAQ NC MT AIRY - 1/23 1725-1726 good w/ad, weather, anc't. (JM-PA)
 800 WHOS AL DECATUR - 2/2 1831 just caught tail end of s/off in CKLW null, to return 0600. (JM-PA)
 900 WLIC MD LAUREL - 12/25 1250-1315 local w/Spanish, ex-WLMD. (HH-MD)
 930 WKY OK OKLAHOMA CITY - 1/20 1903+ very good at times w/Sports, weather scan, anc'ts, CW music, PSA, local news. (JM-PA)
 940 KIOA IA DES MOINES - 2/2 1851 past power change time (cheap thrill) w/oldies, weather, trivia question. (JM-PA)
 970 WCHN NY NORWICH - 1/21 1732 poor u/WWDJ/noise w/ID. (LM-NY)
 1050 WTSJ OH CINCINNATI - 1/28 1750 ID, gospel music show, faded in for ID then faded out. (ED-NC) Luck....
 1080 WNCR NC ST PAULS - 1/28 1735-1742 strong in WTIC's null w/invite to call in & say goodbye to your friends, lots of kid callers. Overboard on PSSA. (KG-PA)
 1120 WMKS GA GORDON - 1/27 1735-1745 alone w/CW music and full data s/off, ID dualed w/Macon. Slogan 'All New Bibb Country 1120'. (KG-PA)
 1140 WRLV KY SALYERSVILLE - 1/28 1745 o/u WRVA w/s/off. (ED-NC)

1170 KV00 OK OKLAHOMA CITY - 1/20 1809 very good in WRVA null w/ID, CW music. (JM-PA)
 1280 WIBB GA MACON - 1/20 1800 just caught s/off w/ID, after B/Sol music. (JM-PA)
 1290 WFBG PA ALTOONA - 2/1 1728 fair/good w/noise w/rock music, jingle/ID. (LM-NY)
 1310 CIWW ON OTTAWA - 2/1 1315 w/oldies, Solid Gold w 1310 ID. (RUGG-PQ)
 1320 WATR CT WATERBURY - 1/24 1645-1650 strong in WKAP's null w/local ad, ID, MoR music. (KG-PA)
 1360 WRSG NY BINGHAMPTON - 1/27 1657-1702 way o/all w/oldies music, ID, news by female anc'r, stock market report, lost at power/pattern change. (KG-PA)
 WIYN GA ROME - 1/27 1800 o/all w/full data s/off. (KG-PA)
 WMOB AL MOBILE - 1/27 1810-1815 barely o/others w/religion & full data s/off, to return 0600 CST. (KG-PA)
 1380 WNRI RI WOCNSOCKET - 1/24 1800 strong o/WKDM w/end of PSA program & full data s/off, on PSSA power. (KG-PA)
 1460 WBTA NY BATAVIA - 1/27 1430 UPI news, weather w/ID. (DB-NY)
 1540 WTBI SC PICKENS - 1/23 1528-1539 good, popped thru WNIO w/weather, SC news, ID dualed w/Anderson-Greenville, into gospel music program. (JM-PA)
 1590 WTVB MI COLDWATER - 1/23 1838 strong overboard w/ID, mention of 24 hours. (JM-PA)
 WCZN PA CHESTER - 1/16 1237-1330 o/all w/CW music, ads, news on hour, ID as 'Country Cousin'. (KG-PA)

MIDNIGHT - MIDDAY

610 WSLC VA ROANOKE - 1/30 0733+ very good at times w/WTVN w/CW music, local & NBC news, weather, seems to be an AM reg. now. (JM)
 630 WIRC NC HICKORY - 1/28 0836 fair at times w/lost dog report w/female anc'r. Also 1/30 0730 w/ID, news. (JM-PA)
 640 WHLO OH AKRON - 1/24 0241 w/music, ID, fair signal. (DB-NY)
 660 *UNID 1/17 0210 strong ----- in WNBC null, looping South, WESC? (JM-PA) Strong what? Who knows, it might be birdseed!
 830 *WCCO MN MINNEAPOLIS - 1/6 0154 noted on ET w/TT. (DB-NY)
 860 CJBC ON TORONTO - 1/29 0412 w/news, music. (DB-NY)
 920 WGNU IL GRANITE CITY - 1/24 0259-0303 good w/KARN w/EZL music, ID w/mention of St. Louis, Satellite news, weather, anc't into more music, just turned down from 930 for this! (JM)
 940 WMAZ GA MACON - 1/17 0205 audible thru Cuban w/ID, weather, news, Larry King show, 1st time on nite pattern. (JM-PA)
 1000 WIOO PA CARLISLE - 1/31 0855 fair u/noise w/WRNJ w/news. (LM-NY)
 1050 WHN NY NEW YORK - 1/24 0313 w/CW music, ID, poor. (DB-NY)
 1090*UNID 1/20 0157 strong TT, either WBAL or CKKW. (JM-PA)
 1110 WTBO NY WARWICK - 1/31 0903 fair w/WUHN w/news. (LM-NY)
 1160*WJJD IL CHICAGO - 1/20 0135 off leaving weak KSL/WWVA splash. (JM)
 WFN MI FENTON - 1/21 0200+ strong at times o/u WJJD/WWVA-1170 splash w/ID, CNN news, local news, ads, PSA, phone #, shows up nightly w/WAMB at times. (JM-PA)
 1190 WSCM NY COBLESKILL - 1/28 0850 fair w/noise w/LIB w/ads, ID. (LM-NY)
 1320*WJAS PA PITTSBURGH - 1/18 0053-0100 noted on OC leaving CFGM under, popped back w/standards from SMN. (JM-PA)
 WDER NH DERRY - 1/21 0730-0755 very good in WKAP's null w/local news, weather, contest promo, ads, MoR music, many ID's, AM-1320 slogan. (KG-PA)
 1340 WCVI PA CONNELLSVILLE - 1/29 0100-0102 w/detailed s/off, SSB. (RUGG)
 1360 WNK OH CINCINNATI - 12/24 0424-0533 w/ID, music thru others. (HH)
 1420 WHK OH CLEVELAND - 1/24 0213 w/news, weather, time check. (DB-NY)
 1480 CKAN ON NEW MARKET - 1/24 0039 poor w/ID. (DB-NY)
 1510*UNID 1/21 0015 TT w/WLAC/WMNE, WAHT possible. (JM-PA) One that hasn't changed, t'was they. (DS)
 1520*WKB NY BUFFALO - 1/20 0144 off leaving weak KOMA, TT later. (JM-PA)
 1/25 0217-0306 w/talk show, ex-WKBW. (HH-MD)
 1550 CBE ON WINDSOR - 1/29 0630 w/news, traffic report, promo. (DB-NY)

DOMESTIC DX DIGEST - WEST

6

- 1580 WLM NY PATCHOGUE - 1/30 0901 booming in way o/wSRK w/local news. (LM-NY)
 1590 WARV RI WARWICK - 1/19 0600 partly in clear w/full data s/on, quickly covered by WQQW. (KG-PA)

HOT TIPS DEPT.

You can now phone any last minute items to me for the column since we have added an additional phone to the house. The new # is: (302) 323-0338, armed w/an answering machine when I'm not here, so you can call ANYTIME.

NOTES DEPT.

WYNS-1150 says changes in antenna system/construction/CP modifications will hold up switch to 1160 for a while.....WZZD-990 says that CP to relocate transmitter is a modification of their present antenna system, doing away with 1 tower and moving others in the system, watch for some non DA night operation when this gets underway.....Congrats to NRC'er Rene Tetro in his move to CO, he was the former CE at WZZD.... WHRF-1520 CP for 830 was set up for a 9 tower system, have asked for a modification on this CP to cut it down to 6.....this will be a while still.....WFCC-1450 now on for a 3rd MM f/c, 0100-0115 w/TT, Sked for WMTG-1150 is 5AM-11PM.....The FCC still requires stations (AM) to be + or - 20 hertz of their assigned carrier frequency, so if you here any growls or hets, you know someone that's off the beaten path! A possible DE MM f/c in works.....More later.....

DIAL BUSTERS

RUGG-PQ/Andy Rugg, Nuns Island, PQ/R390A, LW
 ED-NC/Ed Mitkus, Zionville, NC/R2600, LW
 MD-MA/Marc DeLorenzo, Holliston, MA/GE World Monitor, LW, Car Radio
 JM-PA/John Malicky, Pittsburgh, PA/Superadio II
 LM-NY/Laura McCusker, Kingston, NY/Superadio Trio
 HH-MD/Hank Holbrook, Chevy Chase, MD
 DB-NY/Dan Bartek, Fairport, NY/DX400, MW1, Mh DX2 phaser
 KG-PA/Kermit Geary, Walnutport, PA/R389, HQ180, SM2, LW

For those keeping track, C W WILLIAMS (ex of WJVS/WJSO) is now CE at WFHG-980. As always, reports are welcomed. Mentions WIDD-1520 is still off the air but has been sold, no mention of possible return date.

To those whom I owe letters, hang in there, they'll be coming. I've been exceptionally busy getting the f/c business set up here and just haven't had time to get to anything.

Nice to see 'Fitz', Tony Fitzherbert, also, this past week while he was in Wilmington.

That's it for now. Remember, Don't Call Me Chuck! 73's *JFC*



2915 Maples Road
 PO BOX 6000 • FORT WAYNE, INDIANA 46896



P.O. Box 97
 Brookings, South Dakota 57008

7

Nancy Hardy, 2301 Pacific Avenue, Aberdeen, WA 98520

DDXD-West is for members living in the Mountain & Pacific time zones, or farther west. When reporting use the same form you see in the column, with Eastern time, one side of the sheet of paper. Be sure to put DDXD or NRC on the envelope or report itself. Next few deadlines are Feb. 28, March 7, March 28, April 18--all Fridays.

MIDDAY - MIDNIGHT

- 760 KMTL AR SHERWOOD - 1/25 1737 gospel mx, several IDs & address given at 1750. Poor to fair w/WJR. (WOLF-MB)
 770 WJMW AL ATHENS - 1/25 1812 w/James Taylor song, ID by OM as "77-WJMW" in between songs. Fair to good. (WOLF-MB)
 800 CFOB ON PT. FRANCES - 1/25 1501 surprisingly poor w/syndicated "Big Country" program. No ID on the hour, just four spots--two of which were for places in Warroad Minn. Poor w/a fair amount of CKJS-810 splatter. (WOLF-MB)
 830 KBOA MO KENNETT - 1/25 1755 pop mx, spot for place in Dyersburg, ID & AP nx on the hour. Fair w/WCCO. (WOLF-MB)
 1010 KLRA AR LITTLE ROCK - 1/19 1753 C&W mx, ID on the hour as "10-10 KRLA" poor w/CBR. (NJW-MB)
 1020 WCIL IL CARBONDALE - 1/19 1800 w/ID as "Radio 10-20," poor w/KDKA. (NJW-MB)
 1210 ???? 1/25 2101 w/very long extended version of Cyndi Lauper's "Girls Just Wanna Have Fun," 2108 another dance record followed. Poor to fair for a while & then gone. Doesn't sound like this could be anything I've heard in Winnipeg on 1210 (WCAU, KGYN, KRSV, KLDI & CKWA), but I have no idea if it was a Latin either. (WOLF-MB)
 1340 ???? 1/25 2324-2357 w/French program of country tunes (some sung in French, and others by Hank Williams Jr.) & a male host between songs...faded out near the hour, but came back 0008-0022 w/a program of French rock songs & mentions of people's names between records. No ID heard. Very poor-good signal on E-W Beverage. NRC Log suggests either CFLH-ON or CKVT-PQ. Checking parallels 620-CFCL Timmins & 710-CHVM Ville Marie turned up nothing, nor did trying CBC French (860-CJBC/CBKF or 1050-CKSB). (WOLF-MB)
 1390 KJFW MO WAYNESVILLE - 1/25 1815 good at s/off giving power as 5000 watts & mentioning their FM on 102.3. (WOLF-MB)
 1400 KVOE KS EMPORIA - 1/24 2008 faded in w/YL reading local news & weather two IDs after the weather. Poor o/mess. (NJW-MB)
 KVOP TX PLAINVIEW - 1/22 2255 w/Texas Network News, ID on the hour, also noted at 2329 w/top 40 mx & a "16 minute music sweep." Fair o/the noise for #400 from Winnipeg. (NJW-MB)
 1460 KRNY NE KEARNEY - 1/20 1745 pop mx, ID, contest promo; poor. (NJW-MB)
 1550 KQXI CO ARVADA - 1/22 1900 ID (which also mentions Denver) into Pastor Marvin Boyd show. Good o/KQWB. (NJW-MB)
 1560 KWCO OK CHICKASHA - 1/22 1909 w/KWCO/KXXK nx & wx, C&W mx; fair o/KKAA. (NJW-MB)
 1570 KTAT OK FREDERICK - 1/22 1832 w/Oklahoma Network nx, s/off at 1845 telling listeners to tune to 95.9 "KY-95," fair. (NJW-MB)
 KTER TX TERRELL - 1/22 1840 briefly above KTAT w/s/off. (NJW-MB)
 1580 WBBA IL PITTSFIELD - 1/25 1835 way atop freq. w/pop mx, ID & mention of upcoming basketball broadcast. Good. (WOLF-MB)
 1590 KYOK TX HOUSTON - 1/22 1937 fighting KEND w/sould mx, YL DJ. Poor. (NJW-MB)
 KEND TX LUBBOCK - 1/22 1939 sports talk show, ID & promo for "Red Raider basketball" on the hour. Fair w/KVGB & KYOK. (NJW-MB)
 1600 KTNS TX PLANO - 1/22 1945 way atop w/"News-talk 16" IDs & local news. (NJW-MB)

MIDNIGHT - MIDDAY

- 1340 KRAM NV LAS VEGAS - 2/10 0632 "...country on the new 13-40 K-Ram" into C&W tune. Good, o/the mess. New. (NH-WA)
 1400 KRE CA BERKELEY - 2/10 0600 ID into jazz; excellent o/all. (NH-WA)

REPORTERS:

NH-WA/Nancy Hardy, Aberdeen, WA/PRG-7, Radio West loop
 NJW-MB/Niel J. Wolfish, Winnipeg, MB/ Superadio, longwire
 WOLF-MB/Niel Wolfish, Univ. MB DX Club DX 'pedition to Lewis, MB/R-70, ICF-2010 Beverages,

INTERNATIONAL DX DIGEST

Chuck Hutton, 437 Hardendorf Ave., Atlanta, GA 30307

404-633-1198 Before 2300 BLT

Times are GMT

For ELT substract 5 hours.

Deadline: Monday

- 173 MOROCCO R. Mediterranean International, Nadar 1/20 0223 to 0304 fadeout. Good most of the period. All in French with commercials, talk and popular music. First LW TA station reported in about 18 years!! Have DSL'd 15 and hope this is 16 on LWBC. (Holbrook)
- 530 COSTA RICA Cartago TICAL 0008 1/5 SS talk, ID, good. (Hakiel)
- 531 ALGERIA Ain Beida 0227 1/21 AA choral, AA talk good. (Hakiel)
- 535 GRENADA R. Grenada 2/1 0005-0012 very good w/VOA nx on Super Radio. (DeLorenzo)
- 549 ALGERIA Oran 0224 1.21 AA mx and talk, fair. (Hakiel)
- 595 DOMINICA Roseau 0105 1/24 pop mx, EE talk, fair. (Hakiel)
- 639 SPAIN La Coruna 0105 1/7 SS talk by man and woman, poor. (Hakiel)
- 655 EL SALVADOR San Salvador YSS 1/27 0215 SS vocal mx and SS talk. (Purdue)
- 657 USSR Murmansk 1/11 1854 piano and flute mx, // 873 which is program 3, poor signal. (Vernon)
- 670 VENEZUELA Caracas YVLL R. Rumbos 1&c o/WMAO w/nx and doorbell chimes 1/31 0335-0345; always an entertaining str. (DeLorenzo)
- 684 FIJI Labasa 1/27 0934 woman w/EE nx program, even talked about their inland revenue service, xInt sig, 10 kW xmatr must be on. (Vernon) Yeah, I bet they are really tearing up the Maldives and Tierra del Fuego at your place..Chuck
- 684 SPAIN Sevilla 2102 1/6 nx by SS man, fair-good. (Hakiel)
- 705 ST. VINCENT Georgetown 0021 1/18 EE talk by man and woman, fair. (Hakiel)
- 730 MEXICO XEX Mexico City R. Festival 1/27 0227 talk about the Super Bowl in SS. (Purdue)
- 750 HONDURAS HRTU 1/27 0222 talk, American pop MoR mx u/WSB, IS as R. Trujillo. City not listed in 86 WRTH. (Purdue)
- 765 SENEGAL Dakar 1/19 2254 fair w/guitar mx, man in vernacular // 4890. 1/20 2317 loud w/man in vernacular through severe WJR ORM. (DeLorenzo) 2303 2/2 string mx, singing, vernacular talk, good. (Hakiel)
- 774 SPAIN synchronos 2042 1/6 Mona Lisa sung by Nat Cole, SS talk, fair. (Hakiel)
- 783 PORTUGAL Miramar 2056 1/6 pop mx, PP talk, good. (Hakiel)
- 785t ECUADOR Quito HCAA1 1/31 SS talk, too weak for ID. Only 300 watts! (Hakiel)
- 792 SPAIN Seville 0209 1/20 ballads, SS talk, fair. (Hakiel)
- 810 COLOMBIA Bogota HJCY R. Sutatenza 1/28 0035-0043 good o/WGY w/sports. (DeLorenzo)
- 819 NEW ZEALAND 1Y2 Rotorua 1/27 1050 male anncr, between MoR type selections, noted during KCBF fade. (Vernon)
- 825 ST. KITTS 1/30 0410 EE religious mx w/male anncr. Very good signal in here every night for the last week. (Maslen)
- 846 KIRIBATI T3K1 Tarawa 1/30 woman w/native talk, 0927 s/off by woman in EE mentioning s/on at 6:30 Local, 846 and 354.6 meters, also that reports of reception would be acknowledged. Is certainly here on 846. (Vernon)
- 891 ALGERIA Algiers 2237 1/19 AA talk by man, good. (Hakiel)
- 900 MEXICO Mexico City XEW 1/27 0007 Super Bowl in SS. (Purdue)
- 900 SAUDI ARABIA Qurayyat 1/11 1743 AA type mx, // 1440. (Vernon)
- 918 SPAIN Madrid 0406 1.21 SS talk by man, poor. (Hakiel)
- 918 USSR Mezen 1/11 1745 electronic piano type mx // 945 program 2. (Vernon)
- 910 COLOMBIA Magangué HJHN 0432 1/22 LA tunes, Sutatenza IS, xInt. (Hakiel)
- 963 NORTH SEA R. Caroline 1/23 0104 male mentioning only 963 and s/off, then mx "Sweet Caroline". AIRA off. 1/24 0332 noted w/Caroline ID between rr mx, 0400 pips, s/on in EE for R. Monique mentioning 5 AM CFT. (Vernon)
- 990 AUSTRALIA 4R0 Rockhampton 1/30 1122 male w/4R0 ID then another male w/race description, good signal, topping Hawaiian. (Vernon)
- 999 SPAIN Madrid 0421 1/21 soft mx, SS talk, poor. (Hakiel)
- 1017 TURKEY TRT1 Istanbul 1/11 1746 rr instrumental mx, fair // 954, noted w/AA type mx 1801 also // 1062. (Vernon)
- 1026 USSR Moghilev etc. 1/10 0624 listed w/local pga, male opera type singer, 0627 male anncr then singer continued, maybe an IS at 0629:50, poor signal but better than 1008. (Vernon)
- 1034 GUINEA BISSAU 2355 1/28 heard briefly w/PP //5475. (Hakiel)
- 1035 PORTUGAL Lisbon 0238 1/6 US pop mx, PP talk, good. (Hakiel)

- 1044 EAST GERMANY Dresden 0430 1/21 light mx, GG talk, poor. (Hakiel)
- 1050 MEXICO Monterrey XEB 1/27 0203 SS talk, SS vocal mx, ID as "La Ranchera de Monterrey". (Purdue)
- 1089 USSR Krasnodar 1/11 1835 some kind of radio play, xInt sig, // 918 program two. (Vernon)
- 1095 DOMINICAN REPUBLIC San Pedro de Macoris HIHD 0150 1/28 LA mx, SS talk, R. Oriente ID, formerly 1100 KHz. Finally ID'ed this one after months of trying. (Hakiel)
- 1098 USSR Vologda 1/11 1840 radio play // 1089 program 2, no sign of usual Czech. (Vernon)
- 1116 ENGLAND unid 1/11 0710 mx, 0711 male anncr // 909 Radio Two, would have expected a local program at this time, perhaps it was Guernsey, they may not have a large budget? Good signal for about 2 minutes. (Vernon)
- 1116 UNID 1900+ AA type talk, Iraq in on 1197 but there are other possibilities. (Vernon)
- 1125 USSR Leningrad 1/8 instrumental mx, 0608 woman anncr, Russian type guitar mx, xInt sig. (Vernon)
- 1152 IRAN very tentative Tabriz 1/11 1828 AA type mx, repetitive type, 1829 silence, 1830 male talk then appeared to attract a jammer just after 1830, was clear before. (Vernon)
- 1165 ANTIGUA St. John's Caribbean Radio Lighthouse 1/19 0102 Bible stories and readings in EE. (Purdue)
- 1175 PANAMA Las Remenidos de Veraguas HDUB4 0204 1/21 love songs, R. Belen ID, good. (Hakiel)
- 1179 SWEDEN Horby 0614 1/15 long talk by woman, poor. (Hakiel)
- 1180 CUBA Nueva Gerona CMOD R. Reloj 2/1 0606-0610 fair w/nx alone on channel w/WHAM off. (DeLorenzo)
- 1197 IRAD Nineva 1/11 1759 male AA type talk, no pips 1800, just talk, mentioned Mr. Khomeini a number of times, xInt sig, o/jammer. (Vernon)
- 1242 USSR Volochisk etc. 1/22 0613 brass band mx // 1404. XInt signal, France too strong on 1377 for possible // there. (Vernon)
- 1251 LIBYA Tripoli 0244 1/28 excited AA talk, poor-fair. (Hakiel)
- 1269 WEST GERMANY Neumunster 0713 1/8 Alpine mx, GG talk fair. (Hakiel)
- 1278 FRACNE Strasbourg 0710 1/8 FF talk by man, poor. (Hakiel)
- 1296 ENGLAND Orfordness 0704 1/8 nx in EE, fair. (Hakiel)
- 1305t IRELAND Cork or Drogheda 0609 1/20 EE talk by woman, r&r mx, poor. (Hakiel)
- 1305 POLAND Rzesnow etc. 1/11 1851 male and female anncr, sounded like language lesson, Polish to French, good signal // 1080. (Vernon)
- 1314 NORWAY Kvitsoy 0328 1/13 US r&r mx, Norse talk, xInt. (Hakiel)
- 1360 IRAQ Kirkuk 1/11 1819 AA type mx, listed w/Kurdish service, never noted a jammer on this, good signal too. (Vernon)
- 1386 USSR Kaliningrad 0537 1/22 man and woman in FF, fair. (Hakiel)
- 1413 OMAN BBC Masirah Isle 1/11 1820 male w/talk about storms in Scotland, this will upset the locals no doubt, hi. (Vernon) I can see the look of sheer terror on their faces....Chuck
- 1422 WEST GERMANY BRD Heusweiler 0716 1/10 band mx, GG talk, fair. (Hakiel)
- 1449 USSR Kalinin 1/8 0658 Russian guitar mx, 0659 Mayak IS, good signal w/het. (Vernon)
- 1458 ENGLAND BBC Manchester 1/10 0700 noted w/BBC R. Manchester news, fair signal. (Vernon)
- 1467 MONACO Monte Carlo 0452 1/22 religious pgm, GG talk, xInt. (Hakiel)
- 1481 UNITED ARAB EMIRATES Dubai 1/25 1717 male AA type talk, xInt sig. (Vernon)
- 1503 POLAND Stargard 1/29 0629-0635 with instrumental music and lady anncr. Also 1/30 0609-0613 with lady commentary. Signal quality brief and poor on both occasions, however these are the only two dates when audio has surged out of the het. (Rugg)
- 1512 BELGIUM Wolvertem 0724 1/18 r&r mx, DD talk, good. (Hakiel)
- 1512 SAUDI ARABIA Duba 0325 1/21 AA chants, good. (Hakiel)

And now, the catch of the week....

- 1521***SAUDI ARABIA Duba 1/11 1844 woman w/AA wailing, at best was poor u/Czech but definitely // 900, 1440, am I the last to hear this? (Vernon) A survey of 1000 people including small children with 3 transistor radios has shown that, in all likelihood, you are indeed the last IDX reporter to have heard this station...The Editor.
- 1521 SPAIN unid city 0722 1/8 SS talk by man and woman, poor. (Hakiel)
- 1521 USSR Kalevala etc. 1/22 0659 Mayak IS detected u/Czech. (Vernon)
- 1539 WEST GERMANY Mainflingen 0649 1/8 GG talk by man, good. (Hakiel)
- 1548 ENGLAND London 1/8 0645 pop mx, nx, fair. (Hakiel)

- 1557 FRANCE Nice 1/29 0620 at good level w/jazz mx. (Rugg) 0653 r&r mx, FF talk, good. (Hakiel)
- 1566 AZORES Vila de Porto 0002 2/1 PP talk, s/off with NA, fair. (Hakiel)
- 1566 SWITZERLAND Sarnen 0652 1/8 Swiss Alpine mx, GG talk, fair. (Hakiel)
- 1566 TUNISIA 2319 2/2 AA talk, chants, fair. (Hakiel)
- 1575 PORTUGAL Porto Canidelo 0642 1/8 PP talk, fair. (Hakiel)
- 1584 SPAIN 1/26 0623-0635 at fairly good level w/EE records and SS commentary. (Rugg) 0640 1/8 SS talk, good. (Hakiel)
- 1593 WEST GERMANY Langenberg 0637 1/8 bouncy tune by EE vocalist, good. (Hakiel) W/good signal w/GG commentary 1/29 0117 and 1/30 0102. Strongest TA on the band both days. (Rugg)
- 1602 SPAIN unid city 0635 1/8 SS talk, fair. (Hakiel)
- 1610 ANGUILLA 2/4 0400 to 0410 ID "The Voice of Power in the Caribbean" w/EE preaching by the Rev. R.W. Schambaugh, steady signal every night after sunset. (Maslen) 1/25 2232 good w/preacher. (DeLorenzo)
- 1611 VATICAN 0633 1/8 religious service in GG, good. (Hakiel)

Marc DeLorenzo-Holliston, MA	HQ100, phased LW's, Super Radio
George Hakiel-W. Islip, NY	R71, LW's, loops
Hank Holbrook-Fair Haven Cliffs, MD	RBL5 (1944 National radio), LW
Patrick Maslen-Acton, MA	HR0500, Connelly phaser, LW's
Ronald Purdue-Byron, MN	FRG8800, LW, loop
Andy Gaston Rugg-Nun's Island, QUE	R390A, ??
Brian Vernon-Elsa. Yukon Terr.	R7A. FRG7000...broken Beverages---

IT'S ABOUT TIME THAT AM CAR RADIOS SOUND GOOD
by: Fred Vobbe, Editor DX Audio Service

As a person who is often annoyed at receiver manufacturers and those in the broadcasting business who have no right to even set foot in a radio station, I was pleased by a recent article in Radio World magazine written by Mark Persons.

Mark, who is an engineering consultant and president of M. W. Persons Associates of Brainard, Minnesota, wrote the article in the January 1st edition of Radio World about the Pioneer's KE-A433AM car radio. Although I can't pass judgement on this radio as I haven't heard it, nor played with it, I feel that Mark's article bears some forefront notice. Here are some excerpts from his article.

"Pioneer has been making good aftermarket car radios for quite a while. The Pioneer KE-A433AM car radio is, in my opinion, one of the best car radios built. It is a microprocessor controlled, digitally tuned C-QUAM AM Stereo, FM Stereo, and Stereo Cassette unit. I ordered one to try out. Before installing it in my car, I took a peek inside. The radio is well built and repairable."

"A service manual, ordered separately for about \$8.00, provided more than enough information. Large three and four color cutaway views of the circuit cards made component locating easy. Pioneer has even gone to the trouble of explaining how each section of the radio works, and how, for instance, AM stereo is broadcast and decoded. Complete alignment procedures are spelled out as well. Wiring terminates on plugs and jacks. Every wire is shown in the documentation."

How many radio manufacturers can you say take the time to document their products. It took me well over 7.5 hours and \$45.00 in phone and postage charges just to get a simple answer to a question on a Ford car radio! Mark went into great detail on the performance of the radio on the FM band, but let's jump ahead to the AM performance features.

"The AM section of the Pioneer KE-A433AM car radio has some interesting features. First, full electronic tuning eliminates the need for an antenna trimmer capacitor. The AM front end is tuned to the specific frequency of interest. A dual bandwidth IF section gives a user the ability to hear high frequencies on AM like he has never heard before. The specifications say frequency response is 3 dB down at 6 kHz. This isn't bad considering the kind of bandwidth AM radios have traditionally had. The bandwidth must be wide enough, because Pioneer has included a pair of 10 kHz adjacent channel whistle filters at the output of the stereo decoder IC."

The Pioneer KE-A433AM lists for around \$360.00. If any member of the National Radio Club has had an opportunity to play with this radio, and make some comparisons against other radios, both DX and normal consumer, I would welcome your comments, and perhaps a story for the National Radio Club's DX Audio Service or here in print. If you wish to contact Mark for additional details on the Pioneer KE-A433AM car radio you can call him at area code (218), 829-1326.

Fred Vobbe

Craig Healy, 66 Cove Street, Pawtucket, RI 02861

1600-1800 KHz Range

Times are GMT

Deadline: Last Sat. of Month

February/March 1986... I am combining these columns because there wasn't enough material until now for the Feb. column, and I am going on vacation for awhile and won't be back for the March deadline. On a similar note, the new Top End Yearbook has been put on hold due to a lack of contributors and a lack of interest in the Yearbook itself. It isn't worth my time or money to put out a booklet requested by only a few people. I still have more than 50 from last years run of a hundred. Most were giveaways at the NRC Convention this past Fall.

Loggings:

- 1618 ??? 0615 2/3 VU in cw, poor. (Hall)
- 1613 GUATEMALA Rabinal 0513 1/1 RAB, fair. (Ross)
-same- no time/date RAB in cw. (Rayburn)
- 1630 ??? 0235 12/30 1 pip every 2 secs., good. (Ross)
- 1648 ??? 0455,0459 1/10 KA83343 good. (Healy)
- 1667 ??? 0230 1/9 LSB 2-way in EE, fair. (Ross)
- 1677.9 ??? no time/date LSB 2-way in SS (Rayburn)
- 1685 COLOMBIA Mercaderes 0635 2/3 MER fair-good through storm QRN. (Hall)
-same- no time/date MER in slow cw. (Rayburn)
- 1702.3 ??? no time/date KA84011 (Rayburn)
- 1711.8 ??? no time/date THF in slow cw. (Rayburn)
- 1727 ??? 0228 12/30 continuous pips, very good. (Ross)
- 1750 ??? 0730 2/3, 0725 2/6 Unid SS station. Best tuned in USB. Speech patterns resembled those of a broadcast nature, but didn't seem to be continuous. Was not 2-way activity. Can some other people check this and see what they hear?? (Hall)
- 1783 ??? 0405 12/27 30 pip/minute station, good. (Ross)

Credits:

Les Rayburn	Kittery, ME	TS-530S, 135' 1w
Robert Ross	London, ON	TS-430S, 120' 1w, 4' box loop
Jim Hall	Pittsburg, PA	R-71A, beverages, 35' vertical wire
Craig Healy	Pawtucket, RI	R7A, 125' 1w, 25' vertical

My R7A is for sale, just factory recalibrated. All filters in it. That's it for a very short column, in mid-season too! The only other thing I have is a list of Japanese stations from Pete Taylor. I've made photocopies and sent them in with the column rather than retype the whole darn thing.

Please Report!! 'Til later.... Craig, K1KDF

FCC TO "CLEAN UP" AM STEREO?

BY: David Hughs via: F. Vobbe, DXAS

The F.C.C. has approved an AM Deregulation rulemaking that, in part, calls for the deletion of signal quality requirements for AM Stereo. ON December 30th, the F.C.C. approved deletions and revisions it had proposed for AM rules, including the deletion of AM Stereo "Quality of Service" transmission standards contained in Part 73.40 of the rules.

With the F.C.C.'s order, A.M. Stereo rules pertaining to minimum modulation levels, audio frequency distortion, audio frequency transmitting characteristics, carrier-amplitude regulation, carrier hum, and extraneous noise levels, and stereo separation have been deleted. Many similar regulations pertaining to mono A.M. Stations have been deleted in an earlier order.

The actual text of the ruling had not yet been released by press time. However, the Commission's order to accept the N.P.R.M., which was released in the spring of 1985, contained no significant changes. The Docket Number for the A.M. Deregulation effort is MM-85-325. Looks good, anything else

+++

INTRODUCTION OF THE STATIONS IN THE RANGE 1600-1800kHz

KHz	Station Information
1644	Hachinohe JFS, 50w
1660	Otaru JHO, Hakodate JHD, Nemuro JHU, Hidaka, Ogi JFD, Tohata JFN, Karatsu JHS, Fukuoka JFO, all 500w
1670.5	Kushirokou, Erimomisaki (Erimo), Esannisaki (Esan), Matsumae (Matsumae), Yagishirijima (Yagishiri), Shakotanisaki (Shakotan), Tappizaki (Tappi), Ohmazaki (Ohma), Shiriyazaki (Shiriy), Todogasaki (Todogasaki), Kinkazan (Kinka), Inubouzaki (Inubou), Nojimasaki (Nojimasaki), Hachijojima (Hachijojima), Irouzaki (Irou), Hegurajima (Hegura), Hagimishima (Hagimishima), Takobana, (Takobana), Wakamiya (Wakamiya), Mishima (Kamitsushima) all 50w
1675	Nemuro JHU, 50w
1693	Waigata JHF, Ogi JFD, Obama, all 50w
1697.5	Choshi JHC, Nakaminato JHA, Misaki JFC, all 500w
1699	Nemuro JHU, Atsugishi, Kushiro JFZ, Hiroo, Hidaka, Muroan, Esashi, Iwanai, Yoichi, Otaru JHO, Rumoi, Wakkanai JFY, Esashi (different station from former), Monbetsu JHZ, Abashiri JHW, Hakodate JHD, all 50w
1702	Kasumi JFI, Tanabe, Nachikatsuura JHI, Miyatsu, all 50w
1722	Aburazu JFP, Shimanoura, Ushibuka, Usuki JHG, Kagoshima, all 50w
1725	Ajigasawa, Miyako JHT, both 50w
1728.5	Kuji, Katsura, Misaki JFC, Odawara, Chikura, all 50w
1738.5	Sakata, Ajigasawa, Aomori JHM, Hachinohe JFS, Oga, Ishinomaki JFU, Shiogama JHQ, Iwaki JFW, Ohnata, all 50w
1746	Kamaishi JFT, Ohfunato JHP, both 50w
1768.5	Shimonoseki JFK, Senzaki, Karo, Hamada, all 50w
1772	Iwanai, Esashi, both 50w
1775	Tachiura, Karatsu JKS, Fukuoka JFO, Narao, all 50w
1778.5	Muki JFB, Tsuda, Fukaura, Tosashimizu JHL, Hassai JHE, all 50w
1782	Hamada, Karo, Senzaki, all 50w
1785	Aomori JHM, Ohnata, both 50w
1788.5	Fukuoka JFO, Karatsu JHS, Tachiura, Nomo, Kamoise, all 50w

- NB: 1. Stations on 1670.5kHz are shipping weather ones, and others are coastal stations.
 2. Coastal stations are for the telecommunication with the fishery ships.
 3. Three alphabets stand for the call sign. Stations which do not have call sign are called with "place name" plus "gyogyo". The word "gyogyo" means "fishery".
 4. Words in parentheses are call designations.
 5. Verifications are cards or letters.

forwarded by Pete Taylor

Compiled by Yoshinori Kato
Typed by Toshihiko Oka

THE FAR EAST RADIO CLUB

5000 WATTS
KNMX 540
 SAN MIGUEL BROADCASTING CO., INC.

615 Lincoln Avenue
 Las Vegas, New Mexico 87701
 (505) 425-3555

KLLF 1290 AM
 GOSPEL MUSIC RADIO

P.O. Box 4327 • Wichita Falls, Texas 76308

DXCHANGE

Russ Edmunds, 753 Valley Road, Blue Bell, PA 19422

Items for sale, trade, wanted, etc.

Equipment for sale at prices shown - revised 2/5/86
 Prices do not include shipping (i.e. shipping is extra).

Contact: Phil Bytheway (206) 784-5145 (please, no collect calls)
 9705 Mary N.W.
 Seattle, WA 98117

Item no.	Description	Manual or Inst	Price US \$
2	Sprague Capacitance Meter F06A, clean, works	m	50
3	National NC125, looks good, works ok	m	75
4	National RBL-3 15-520kHz SN 1705, fair, works ok		55
5	HP 412AR DC VTVM .001-1000V/ma 1-100Meg, rack mount	write	
6	Ryco Selective Voltmeter 2174A-610 @-420kHz, works well		150
9	TMC VLRC-1 longwave receiver 10-40kHz, works excellent	m	200
11	AN/FRR-22 250-800kHz, rack mount, needs some work	m	45
12	HRO sixty, 13 coils, fair ex, works excellent, 50kHz-54MHz		350
16	RAK-7 15-620kHz regen, with power supply, fair-poor, works ok	m	110
17	Heathkit SB-301 ham band receiver, good, works	m	200
20	HP 413ar dc null voltmeter, .001-1kv, good		50
21	HP 413ar dc null voltmeter, .001-1kv, good		50
22	Eldico 55B-100, exciter-trans, 350 watts	m	write
23	Halicrafters S-40, repainted with manual, fair, works ok		30
28	power supply 10-35vac @-20a, fairly clean, rack mount, works		70
29	audio level meter ME71C-FCC, 15-500kHz United Telecontrol	write	
30	Clarke Inst 167-J 40-270MHz, fairly clean, cabinet ok, works well		80
31	Radio interference field meter NM-40A Stoddart Aircraft, with PS	write	
35	R-392, fair, no PS inside clean, works ok, BCB sharp, 7MHz+ only fair	m	60
37	HG-145 bc-30kHz, good in and out, works	m	125
38	Modular Devices ps +/-15 +5, ok but connector broken (same as 106)	write	
39	Heathkit HR-10, ham band rx, good, works well	m	50
43	Radiomarine AR-8516 rx, 80-3000kHz dirty, some rust, works well		230
47	Sanserino loop, used for 1w		write
49	HP scope 180a 1821 time base 1801 dual trace clean		450
53	Panasonic RF-3100, in box, brand new, works well		200
55	Heathkit regulated PS @-50v, @-1.5a good	write	
59	HP 400n VTVM/.001-300v only, works		40
60	Heathkit model 1M-25 VOM @-1500v, @-1Meg, @-1500ma, as is in pieces	m	50
62	HP 410 B VTVM @-1000v, @-1Meg	write	
63	Pierson KE-93 rx, bc/160/80/40/20/15/10 meter bands, needs ps	write	
64	rx 3.5-4.0MHz, tubes, looks ok, lights up, but no audio		25
65	Heathkit HW-12a, single bander 80 meters, with HP-23a power supply	m	75
66	Heath cw transceiver HW-16, 80/40/15 meters	m	80
68	Eico 435 scope, small single channel, schematics, appears to work	m	75
69	Heathkit VFO HG-10b (goes with 66), clean		20
70	Heathkit 16-82 sine/sq wave gen, 20cps-10kHz, .01-10v, works	m	40
73	Yaesu FRG-7 w/2.9kHz collins mech filter and fine tuning, works	2m	250
78	Central Elect sideband slicer, scratch marks indicate some mods	write	
79	Electronic Measurements power supply model 212a pretty beat up	write	
85	Panasonic RF-2900, works well, fairly clean		125
96	Sanserino loop, slightly modified, works well		55
97	power supply, 12v car battery simulator		15
100	HP current probe, could go with scope (see 49), as is		55
101	decade resistance box @-100k		15
102	power supply 5v at 15a, computer grade		50
104	Knight voltmeter @-1500v, @-1Meg	write	
106	Modular Devices PS +/-15 +5, ok (same as 38)	write	
109	Atronics code reader, works		15
110	digital clock, all but msd works		10
111	KS preselector, works good		40
115	Bendix micro-match power meter, model 263.3, forward/reverse		30

Those that say "write" have not been completely checked out. Price will vary depending on what we find.

We will consider all offers on any of the equipment. If you think that any of the prices are way out of line, let us know. We are anxious to see that these radios get back out into the hobby, and not sit on some shelf gathering dust.

The following are manuals that we have which have. (price TBD). If you are interested, we will quote a price.

- 118 instructions for model RAK-5 radio receiver equipment
 119 Mosley receiving antenna model SWL-7 assembly instructions
 120 Mosley TRS-57 SWL transmitter box instructions
 122 technical manual for BC-312n, nx, BC-342n, BC-314g, BC-344d
 123 national LF-10a low frequency preselector manual and literature on HRD 500/600
 124 operating instructions ARN-6
 125 Realistic VHF scanning monitor receiver, patrolman PRO-8 service manual
 126 Collins transmitter KWM-2 instruction book
 127 RCA RAL, RAL-1 instructions
 128 technical manual for electrical frequency synthesizer G-1115/VRC
 129 maintenance instructions for radio compass by Bendix MN-26a, c, ca, m, mm, x, y
 130 Knight-kit RF Z-bridge instructions
 131 Davco technical manual for DR-30 communications receiver
 132 Tektronics 453/RA53 oscilloscope operating manual
 133 technical manual (vol.1) for R-1051/URR
 134 EM Scott SLR-F instructions
 135 Knight-kit signal tracer RK-625 instructions
 136 RCA RAL-2 radio receiver equipment instructions
 137 Marconi TF-144h am signal generator manual
 138 Tektronics IL10 spectrum analyzer manual
 139 Knight 10 watt hi-fi amplifier manual
 140 Knight 20 watt hi-fi amplifier manual
 141 Heathkit ac power supply IPA-5280-1 instructions
 142 Heathkit regulated low voltage power supply, IP-27 instructions
 143 Heathkit GC-1025 digital clock instructions
 144 Heathkit reflected power meter AM-2 instructions

There are also many boxes of electronic parts for the experimenter, including transistors, diodes, ICs, capacitors, resistors, inductors, etc. These will eventually be cataloged and offered for sale. If you have an immediate need, write and we will try to see if we can find what you are looking for.

Thanks.... phil bytheway

WOI-AM night schedule to focus on jazz, news

FINE TUNING

Continued from Page 3TV

WQAD-TV in Moline, Ill., KSTV-TV in Omaha, Neb. (at 9 a.m.), and KBQA-TV in Hannibal-Quincy (at 3 p.m.).

Dee Myers, Iowa Sunday Register
 Scribbles and scraps. 2/9/1986 - Page 4-TV

Radio station WOI-AM in Ames expects to start 24-hour operation by March 15, says station manager Don Forsling. The station has been limited to daytime operation since it went on the air in 1921 because of a long-standing Federal Communications Commission rule that protected the signals of clear-channel radio stations at night.

The daylight-only restriction has hurt WOI mainly during the winter months. On some December days, the station was not able to sign on the air until 7:45 a.m., missing a good share of the morning drive-time audience.

Part of WOI's coverage includes broadcasting debates from the floor of the Iowa Legislature. That coverage has been hampered by early sunsets during January and February, forcing the station to cut away from the Legislature and go off the air as early as 5 p.m.

But now that FCC rule has been eased and WOI intends to take advantage of the situation. Its new evening schedule will concentrate on news, public affairs programs and plenty of jazz and classical music — the latter provided by the American Public Radio Network.

Forsling says the move to 24-hour operation will cost Iowa State University — which owns the station — about \$170,000 to upgrade the technical equipment and \$5,000 to pay for additional programming. He said WOI's evening signal will be directional, extending about 45 miles north and south of Ames, and about 150 miles east.

According to Broadcasting magazine, a trade journal, the highest-paid local TV news anchors in television markets such as Des Moines, Ames, Waterloo-Cedar Rapids and Quad Cities make a median salary of \$43,888 a year. Those are the findings of a survey taken by the Radio-Television News Directors.

Best viewing of the week: part one of the four-part new adventures of "Huckleberry Finn" on public TV's "American Playhouse" at 8 p.m. Monday.

Owner says station will stay on air

The majority owner of WRIE radio said Monday the station will stay on the air despite financial difficulties.

Michael Crosby, who owns 51 percent of the station, said the owners are considering several options, including the sale of the station, taking on new investors, or filing for reorganization under Chapter 11.

"That (bankruptcy) does not appear likely, however," Crosby said.

Crosby said the prime difficulty at the station is with "cash flow." He said that the station had a line of credit with Marine Bank last year, but it was not renewed for 1986.

"When you don't have a line of credit to cover operating costs, then you have to sit back and evaluate where you're going, when you're going, and how you're going," Crosby said.

Crosby and two others purchased the station about 18 months ago from Brady Louis.

Crosby said Monday that the station has already had several inquiries that look "very promising."

The station's employees were out of work on Monday. The station relied on satellite-fed transmissions and recordings to provide news and entertainment Monday. The employees said they were not paid last week.

DAVE HAMILTON
 1/16/86

STATION PROFILE

Tony Fitzherbert, 356 Jackman Avenue, Fairfield, CT 06430

WEXL-1340.....Sixty Years of Service to Metropolitan Detroit's

Northern Suburbs

WEXL

AM - Inspirational - Detroit

Royal Oak, Michigan is a quiet, established suburb with older homes on tree lined streets just North of Detroit. The blue collar community centers on Eleven Mile Road and Woodward Avenue, and blends right into the urban expanse of Detroit. Royal Oak grew because of its proximity to the nearby Chrysler plant

and its location on the Grand Trunk Western commuter rail line which operated right to the front door of the auto plant, and on into Detroit. Chrysler has reduced its forces, commuter service was abandoned because of a decline of jobs in downtown Detroit, but Royal Oak remains a bedroom for the Detroit area economy.

Royal Oak's local station, WEXL, represents uniqueness for a variety of reasons. First, it has been owned by the same family for almost sixty years. Secondly, WEXL serves, and has cultivated loyal listeners not only in the city of license, but its primary signal covers most of the City of Detroit, population 1,350,000, and, finally, the station is one of three stations on 1340kh, in the United States, which broadcasts a directional signal.

In 1924, the Reverend Jacob B. Sparks aspired to try the fledgling field of radio. However, another Royal Oak resident, by the name of Bob Miller founded the station's ancestor. He and his son began testing primitive equipment in the attic of their house in 1924. Using the call WAGM (for the name of a senior member of the Miller family), the tiny operation broadcast from their attic studio. The official air date was in February, 1925, and WAGM was the third station to begin regular broadcasts in the state of Michigan. It failed financially, and Rev. Sparks realized his ambitions in radio, as the family acquired the station in 1929.

"Old Time Religion Show"

The station broadcast a variety of music and drama using Detroit talent. Rev. Sparks changed the call to WEXL, for "We Excel", and began to revamp the programming, with emphasis on the Sabbath. He decided that the hours of jazz and dance music aired on the Lord's day were inappropriate. The live band performances were stopped, and Rev. Sparks himself took over the microphone, with his own program, with recorded hymns, scripture readings, and requests to the audience for suggestions for Sunday programs. He invited a Royal Oak preacher to use an hour for the "right kind of thing" - in what might have been the first religion aired in the Detroit area. He opened his station on Sunday to other preachers, and began his own informal walk in Sunday night show - "Old Time Religion" - which grew into a regular popular feature throughout Detroit every Sunday night, from 1929 into the middle fifties. Known as the OTR, the program opened its doors to anyone who wanted to share talents for God. Some people preached, some gave testimonies, others sang or played instruments to the glory of the Lord. Many Detroiters gathered around the radio on Sunday nights to praise the Lord with Rev. Sparks, in an outpouring which might have found as many as thirty preachers and large members of church groups and Christian volunteers in the huge studio, with its grand piano and organ. OTR opened and closed with the traditional gospel tune of the same name.

The Noon Prayer - a Fifty Year Tradition

Another WEXL tradition started by Rev. Sparks in 1929, and which carried into the country music formatted late 60's, up to 1974 was the noon prayer. Offered at noon seven days a week, this institution preceded the news for decades. The prayer remained constant for its entire life, and the station received requests for it from all over the world, requiring several printings of the intercession.

The station had its own orchestra, quiz shows, and pop music shows, including big band music. Listeners were entertained by Tony Bennett, Jo Stafford, Frank Sinatra, and other artists of the day. In the late 50's WEXL went to a rock format, augmented by many features for local listeners. One story is told by WEXL General Manager (and Grandson of Jacob Sparks)

Garnet Sparks about a WEXL sound man (who later became mayor of Royal Oak). The station had invited a Brownie Troop into the studio to sing Christmas Carols live on the air. One little Brownie clutched her doll, which, when appropriately squeezed, cried "Mommie". The sound effects man thought that this was cute and wanted to share the sound with the audience. Ah, but how to get this sound through the doll's layers of clothing and into the mike. He picked up the doll, held it up to the mike in front of the Brownies, pulled down its panties, and vigorously extracted an unmuffled "Mommie" into the mike - as the little girls very audibly exhibited a full spectrum of emotions from shock to glee!!

In the 1960's, WEXL turned to country music, in the face of more powerful rockers in Detroit and Windsor. World news was provided for five years by the American Information Network, augmented by an emphasis on Royal Oak, Birmingham and Ferndale news.

16 The Change to Christian Programming

Because of competition, WEXL found itself faced with an opportunity in the early 1970's. The Sparks family had been hearing from many Detroiters that they desired to have a full time Christian radio station to listen to. Thus WEXL's management decided to program religion exclusively, and implemented the format on November 22, 1974. This switch was greeted by the DJ's and other staff members with less than enthusiasm. During the final hours of secular programming, the program director locked himself in the control room and played the record "When the Final Change is Made, I'll be Gone" over and over. And the news director stated his opposition by working his final day in a priest's garb.

Today, WEXL offers a variety of Christian programs. The most popular is Chuck Swindal's "Insight for Living". Another popular daily show is the WEXL Home Show, hosted by writer Joy Taylor Skiba, featuring cooking, decorating, and health care features, as well as news for women in the area. When no preaching is aired, upbeat inspirational music is broadcast. WEXL picked up several programs when WLQV became WCZY-AM, dropping its Christian format. The station carries no ethnic programs.

WEXL Studio Locations

WEXL has broadcast from several locations in its 60 year life. After WAGM's attic location, WEXL broadcast from studios on 6th Street, Royal Oak, and was also located for a while in the Washington Square Building. This location also contained the Royal Oak Hospital, and the studios were one floor above the operating room. In those days, ether was administered prior to operations - and it seeped up through the floor, occasionally making for most interesting performances by a docile announcing staff! Today, WEXL operates from a single story storefront building at 317 East Eleven Mile Road. The building, nicely renovated, contains the studios and control room, as well as offices. The control room is equipped with a Gates Board.

About a dozen people are board operators, including weekend part timers. Best known are AM drive announcer Tom Mower and the PM drive host, enthusiastic Joe Maxwell. Both entertain Detroit and Royal Oak with a friendly patter of conversation, plus commuter, traffic, and weather information, plus upbeat Christian music.

However, the best known person at the station is Ida Vettrano, the station's helpful office manager and switchboard operator. She goes way out of her way to assist everyone who visits the station.

WEXL is one of three stations on 1340 kh in the country that operate on a directional pattern. The other two are WLEW, Bad Ax, MI., and WLVL, Lockport, N.Y. All three stations must protect several Ontario stations. WEXL's original transmitter, and array was on 6th Street. Today, the transmitter is two miles south of the station, on Woodward Heights Blvd, on the Detroit boundary. Here is located a 439 foot high tower, which is shared with WOMC-FM, 104.3 mhz, which WEXL built as their FM, and later sold to Metromedia. WOMC, for Wayne, Oakland, Macomb counties, is an adult contemporary station, with its headquarters at the WEXL site. Behind the combined tower is another 200 foot high tower. Non directional at night, WEXL covers the three above counties plus Detroit and Windsor, Ontario.

WEXL indeed fulfills a vital role, as Metropolitan Detroit's only full time AM Christian voice.

We thank General Manager Garnet Sparks for all of his assistance in sharing the history of his station for this profile. Appreciation is also extended to office manager Ida Vettrano for arranging for the meeting with Mr Sparks, and sharing additional information about this most interesting station. The National Radio Club congratulates WEXL on the celebration of its sixtieth anniversary.

Additional Tuners in the MWT-1 Family

Mark Connelly --- WALTON DX Labs --- 07 JAN 1986

Introduction

This is a follow-up to the MWT-1 tuner article dated 18 DEC 1985. The purpose of this article is to introduce smaller tunable RF amplifiers / active preselectors designated Mini-MWT-1A and Mini-MWT-1B. Also, two corrections to the original MWT-1 article are given.

The Mini-MWT-1A and Mini-MWT-1B tuners are designed to improve the performance of low to medium priced receivers. The two aspects of receiver performance to be addressed directly are (1) overloading / spurs in urban areas when an untuned wire antenna is used, and (2) insufficient sensitivity in weak-signal areas when a short (e. g. considerably less than 30 m./ 100') wire aerial is used. The tuners to be discussed are optimized for receivers having low to medium (e. g. 25 to 500 ohms) input impedances; nonetheless, they will also perform with car radios. Unlike the MWT-1, regeneration and passive tuning aren't offered on these miniature tuners; the main benefits of the Mini-MWT-1A & 1B are (a) small size (chassis box size approx. 5.2" x 2.92" x 2.125") (b) relatively low cost, and (c) simple operation. A new feature is being introduced on these tuners: vernier drive adjustment of the main 10 - 365 pF tuning capacitor (C1). Use of the vernier drive eliminates the need for a "vernier capacitor" (usually a 2 - 25 pF variable) in parallel with C1. Those familiar with the Worcester Space Magnet ferrite loop antenna know that a vernier reduction-drive knob can be quite valuable for making fine tuning adjustments. Eliminating the vernier capacitor also increases the ratio of maximum tank capacitance to minimum tank capacitance: tuning ranges are widened as a result.

Either tuner may be placed between an antenna lead and the receiver's input. Either may be used in a bypass mode, a short-antenna active mode, and a normal / long-antenna active mode. Functions are selected by switch S2. The reader should become familiar with the units' circuitry, controls, and its input / output connectors as identified in the schematic drawings (Figure 1 = Mini-MWT-1A; Figure 2 = Mini-MWT-1B).

Differences between the Mini-MWT-1A and Mini-MWT-1B

The two tuners are substantially similar; however, there are variations between them that make the -1A version better for some jobs and the -1B better for others. It is up to each prospective user to decide which model's features better serve his or her needs.

Like the MWT-1, the Mini-MWT-1A provides frequency coverage of 140 - 300 kHz and 450 - 2000 kHz. The Mini-MWT-1B gives complete 140 - 9000 kHz coverage and the ability to use an external inductor (a loophead for signal interception without a wire antenna or a moulded inductor to allow coverage of additional frequency ranges when a longwire is available).

Like the MWT-1, the Mini-MWT-1A can pot-attenuate the signals from the antenna when in the Off/Bypass mode (a useful feature for city-dwellers who want to "bandscan" without getting spurs). The Mini-MWT-1B cannot do this: it only allows attenuation in active modes.

The Mini-MWT-1A offers better matching to low-Z inputs such as a random loophead or the output of a phasing unit. Its attenuator pot can be used to improve tank Q (selectivity of the tuner) with some input loads in the normal / long-antenna active mode; the Mini-MWT-1B's attenuator pot has little effect on tank Q. The normal / long-antenna active mode on the Mini-MWT-1B provides coupling sufficiently loose to ensure a fairly selective peak with most inputs, although at reduced coupling efficiency compared to Mini-MWT-1A.

Because of its inductive-divider input in the normal / long-antenna active mode, the Mini-MWT-1A provides better rejection of spurs from VHF sources (TV & FM transmitters) than the Mini-MWT-1B can do with its capacitively-coupled input scheme. This may very well be an important consideration for big-city DXers.

Note: for M1 (RFE-A) Front-End Card subassembly schematic, see Fig. 2 of the 18 DEC 1985 MWT-1 Tuner article; for M1 component-layout "roadmap", see Fig. 3 of the MWT-1 Tuner article.

Figure 1: Mini-MWT-1A schematic

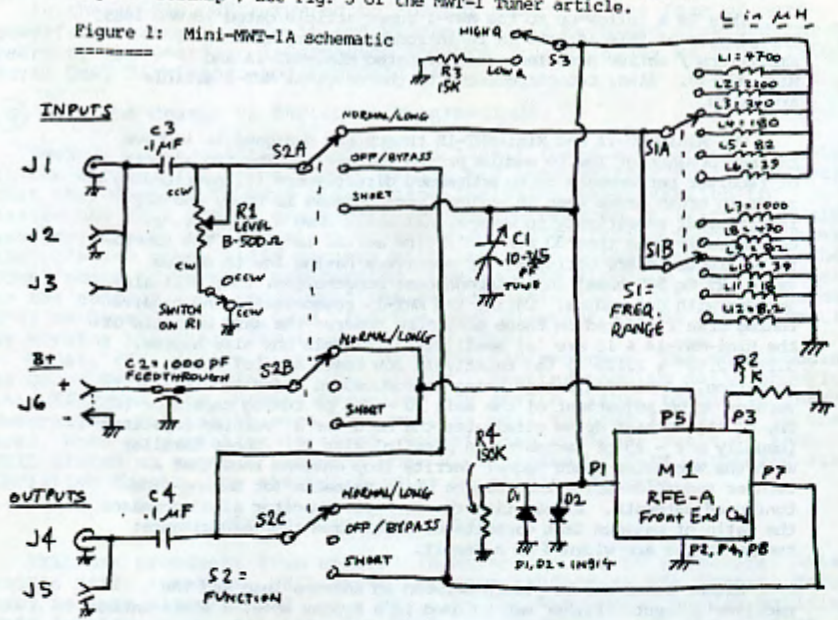


Figure 2: Mini-MWT-1B schematic

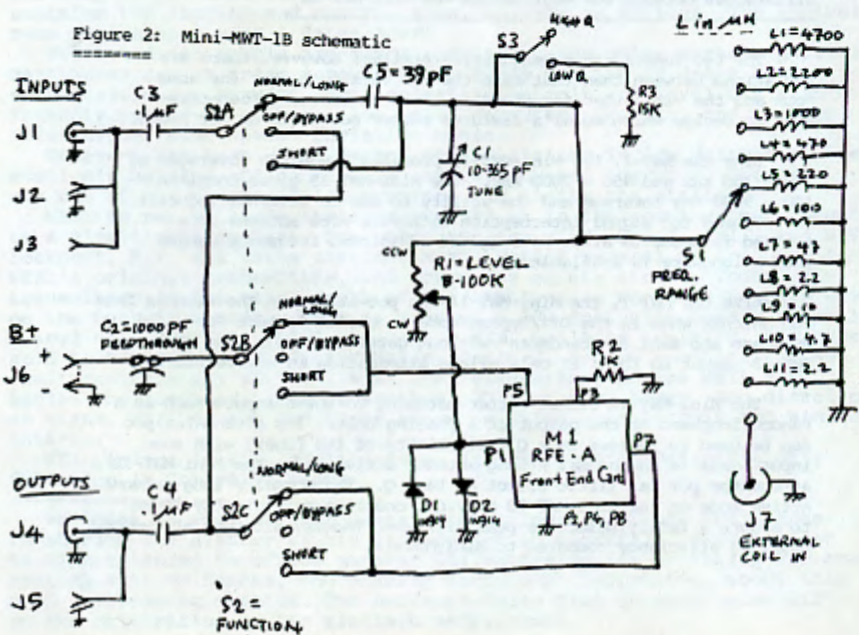


Table 1: Hole List for Mini-MWT-1A and Mini-MWT-1B Tuners

BOX USED = Radio Shack 270-238 (5.2" x 2.92" x 2.125")

X = horizontal distance, in inches, from the vertical centreline (VCL) on the side observed. Negative values of X are left of VCL; positive values of X are right of VCL.

Y = vertical distance, in inches, from the bottom horizontal edge of the side observed.

D = hole diameter in inches.

LEFT SIDE

Hole #	Comp. Desig.	Description	X	Y	D
1	J2	car ant. in - H/W 1	-1.0	1.038	0.14
2	J2	car ant. in - body	-1.0	0.644	0.5
3	J2	car ant. in - H/W 2	-1.0	0.25	0.14
4	J1	RF source in - BNC jack	0.0	0.5	0.375
5	G1	GND H/W - int. & ext. lugs	0.0	1.125	0.113
6	J3	Wire Ant. In - banana jack	1.0	0.5	0.3125

TOP SIDE

Hole #	Comp. Desig.	Description	X	Y	D
1	S2	Function switch - tab	-1.625	2.5	0.14
2	S2	Function switch - shaft	-1.625	2.0	0.375
3	S1	Freq. Range switch - tab	-1.625	1.25	0.14
4	S1	Freq. Range switch - shaft	-1.625	0.75	0.375
5	C1	Main Tuning Cap. - H/W 1	-0.463	2.25	0.14
6	C1	Main Tuning Cap. - shaft	0.0	2.0	0.5
7	C1	Main Tuning Cap. - H/W 2	0.463	2.25	0.14
8	-	C1's vernier knob - H/W 1	-0.65625	1.375	0.113
9	-	C1's vernier knob - H/W 2	0.65625	1.375	0.113
10	J7	External Coil In-BNC jack	0.0	0.5	0.375
11	R1	Level Pot - tab	0.9375	2.375	0.14
12	R1	Level Pot - shaft	1.25	2.375	0.3125
13	S3	Q switch - tab	2.125	2.625	0.113
14	S3	Q switch - shaft	2.125	2.375	0.25
15	M1	RFE-A Front End Card-H/W 2	1.125	1.5	0.113
16	M1	RFE-A Front End Card-H/W 1	2.125	1.5	0.113
17	M1	RFE-A Front End Card-H/W 4	1.125	0.5	0.113
18	M1	RFE-A Front End Card-H/W 3	2.125	0.5	0.113

* = Mini-MWT-1B only

Table 1: Hole List for Mini-MWT-1A and Mini-MWT-1B Tuners (continued)

RIGHT SIDE

Hole #	Comp. Desig.	Description	X	Y	D
1	J5	RF out to car RX - H/W 1	-1.0	1.038	0.14
2	J5	RF out to car RX - body	-1.0	0.644	0.5
3	J5	RF out to car RX - H/W 2	-1.0	0.25	0.14
4	J6	battery holder - H/W 1	-0.125	1.875	0.113
5	J6	battery holder - H/W 2	-0.125	1.0	0.113
6	J4	RF out - BNC jack	0.0	0.5	0.375
7	G2	GND H/W - int. & ext. lugs	0.5625	0.5	0.113
8	C2	B+ input feedthrough cap.	1.0625	0.5	0.188

Parts Lists for Mini-MWT-1A & Mini-MWT-1B Tuners

\$ = part used only on Mini-MWT-1A * = part used only on Mini-MWT-1B

Table 2 = "upper level" of electrical & major mechanical components
Table 3 = small hardware

Vendor Abbreviations

DK = Digi-Key - P. O. Box 677 - Thief River Falls, MN 56701
MOU = Mouser Electronics- 11433 Woodside Ave.- Santee, CA 92071
NEW = Newark Electronics- (many locations)
RS = Radio Shack - (many locations)

Table 2: "upper level" of electrical & major mechanical components

Component Designation	Description	Vendor	Stock #
BOX			
-	chassis box (5.2" x 2.92" x 2.125")	RS	270-238
SUBASSEMBLY			
M1	RPE-A front-end card [see Table 5 of the 18 DEC 1985 MWT-1 Tuner article]		
CONTROLS			
C1	10-365 pF variable capacitor	MOU	524-A1-227
\$ R1	500 ohm linear pot w/ switch	MOU	31CT205
* R1	100K linear pot w/ switch	MOU	31CT501
\$ S1	2-pole 6-position rotary switch	MOU	10W026
* S1	1-pole 12-position rotary switch	MOU	10W112
S2	4-pole 3-position rotary switch	MOU	10W043
S3	SPDT on/on toggle switch	RS	275-326

JACKS / CONNECTORS

J1	BNC jack UG-1094	RS	278-105
J2	Motorola jack	MOU	16PJ107
J3	banana jack	RS	274-662
J4	BNC jack UG-1094	RS	278-105
J5	Motorola jack	MOU	16PJ107
J6	battery holder (Keystone 1290)	MOU	534-1290
* J7	BNC jack UG-1094	RS	278-105

Table 2: "upper level" of electrical & major mechanical components (continued)

Component Designation	Description	Vendor	Stock #
ELECTRICAL COMPONENTS			
B1	9 volt battery	RS	23-553
C2	1000 pF B+ feedthrough cap.	NEW	19F2861
C3	.1 uF monolithic cap.	DK	P4525
C4	.1 uF monolithic cap.	DK	P4525
* C5	39 pF disc cap.	MOU	21CB039
D1	1N914 diode	RS	276-1620
D2	1N914 diode	RS	276-1620
L1	4700 uH inductor	MOU	43LH247
L2	2200 uH "	MOU	ME434-1120-223K
\$ L3	390 uH "	MOU	43LR394
\$ L4	180 uH "	MOU	43LR184
\$ L5	82 uH "	MOU	43LS825
\$ L6	39 uH "	MOU	43LS395
\$ L7	1000 uH "	MOU	43LS103
\$ L8	470 uH "	MOU	43LS474
\$ L9	82 uH "	MOU	43LS825
\$ L10	39 uH "	MOU	43LS395
\$ L11	18 uH "	MOU	43LS185
\$ L12	8.2 uH "	MOU	43LQ826
* L3	1000 uH "	MOU	43LS103
* L4	470 uH "	MOU	43LS474
* L5	220 uH "	MOU	43LS224
* L6	100 uH "	MOU	43LS104
* L7	47 uH "	MOU	43LS475
* L8	22 uH "	MOU	43LS225
* L9	10 uH "	MOU	43LS105
* L10	4.7 uH "	MOU	43LS476
* L11	2.2 uH "	MOU	43LS226
R2	1K resistor	RS	271-1321
R3	15K "	RS	271-1337
\$ R4	150K "	RS	271-047

KNOBS

-	vernier knob for C1	MOU	45KN100
-	knob for R1	RS	274-415 (pk 2)
-	knob for S1	MOU	45KN013
-	knob for S2	MOU	45KN013

Table 3: small hardware

Note: Mounting hardware is supplied with the following components: C2, J1, J3, J4, R1, S1, S2, S3, chassis box, and (on Mini-MWT-1B) J7. Hardware is required by the following component designators: C1, vernier knob for C1, G1, G2, J2, J5, J6, and M1. All required hardware is listed below:

Description	Vendor	Stock #	Qty.
screw, 4-40 x .25	DK	H142	8
screw, 4-40 x .375	MOU	572-01881	4
screw, 6-32 x .25	DK	H154	2
screw, 6-32 x .375	DK	H156	4
split lockwasher, #4	MOU	572-00649	8
split lockwasher, #6	MOU	572-00650	8
solder lug, #4	MOU	565-1416-4	4
hex nut, 4-40	DK	H216	4
hex nut, 6-32	DK	H220	4
metal spacer, 4-40 x .5	MOU	565-2332	2

The opinions expressed in this column are those of the individual writer and do not necessarily reflect those of the Editors, Publishers, or the National Radio Club, Inc., or its subsidiaries.
Times are local per Muse.

What happened to everyone? Mid-winter blahs hit already? At least we can claim a good percentage of DX'ers participating in this week's theme, if I can assume that both Steve and Gene have been NRC members for more than 20 years. I know they were top-notch DX'ers when I was still drooling around my pacifier ... Feb. 28 (for #23) is the deadline for our teenage NRC members to throw in their comments, and March 7 (favorite sign-on and sign-off announcements, courtesy of Robert Harrison) is the deadline for #24. Then we head into the semi-weeklies (already?) with #25 (March 28), and for this one let's nominate the local station which most needs to change its format. You don't need to double-space, stay within a line limit, or write on one side of the paper, but please write or type clearly (no #3 pencils, carbon copies, or light grey ribbons); concentrate on some aspect of ECB DX'ing; send your verie signers to Wayne, your bandscans to John, your lists of catches to Chuck, Dave, and Nancy, and your clippings to Mike; change your oil, rotate your tires, and keep your fingers out of the fan! On with it ...

Radio Memories Back to 1926

Gene Martin - 3303 East Evans Ave. - Denver, CO 80210

The National Radio Club observed its 50th anniversary in September of 1983; thus the club came into existence something like 16 months after I had given up DX'ing as a hobby. My DX'ing years were 1925 to about April in 1932. so I have lots of memories about radio and DX'ing that precede the birth of NRC. I remember those nights in January, 1926, when all U. S. stations fell silent, shut down, so that radio listeners could try to hear Europe. I don't believe that many succeeded. I didn't, although I picked up KPSN in Pasadena one Sunday night, for KPSN had failed to get the word to shut down or had just ignored it, I'm uncertain which. KPSN was a 500-watter on 950 and was broadcasting that night from the First Baptist Church of Pasadena. For an exciting and thrilling 15 minutes or so, I figured I was getting England inasmuch as the service was clearly in the English language. If I remember correctly, I believe the designated silent period for U. S. stations was 10 to 11 pm EST. Anyway, a DX'ing memory I have is finding the broadcast band empty, nothing there at all, except KPSN, for one hour on a January night. Not one Latin American station was heard in that hour, although they existed in 1926, and I don't believe the Latins were taking part in this general sign-off period. I believe the Canadians were co-operating with the U. S. silent period and shutting down. So I also remember the beginning of network broadcasting on NBC and CBS, NBC first in the field and CBS second. For a time, the networks did not exist west of Kansas City, and then west of Denver. I remember other Silent Nights in early radio. All Chicago stations were silent on Monday nights, Dallas stations on Wednesday nights; but I don't remember if Ft. Worth stations joined in the Dallas silent night. I have a faint recollection that the Denver stations observed a Tuesday silent night. Perhaps other old timers can supply the silent night data for other cities. It's a part of DX'ing history that the NRC should know about. Silent night for Chicago and other cities were a reflection of widespread interest in DX'ing in those days. All stations in a city signed off so local listeners could more easily hear out-of-town places. It seems now that something has happened to that sort of thinking among broadcasters. By 1928 or thereabouts, silent nights had vanished for the radio listener. Network broadcasting had made them impractical, for the networks had a product to sell every night of the week. Radio existed for 13 years or so before the arrival of NRC on the scene. The NRC is aware of that, all right, and I have listed some of the things that took place.

Steve Bezilla - 307 Second Ave. - Osceola Mills, PA 16666-1403

The fruit of my DX this season: 7-28: WJET-1040 North Ridgeville, OH. 8-20: WRBC-1560 Chardon, OH. Nice catch for August, what with WQXR here 99 percent of the time. 9-23: WJIS-1560 Bolivar, TN. 9-24: WZZW-1040 Powell, TN. 9-30: WKOR-980 Starkville, MS. 10-16: WKDJ-1190 Hughsville, PA. This new station poorly here with c&w; near Williamsport, PA. 10-30: WMM-1260 Westport, CT. 11-6: WJJP-1180 Hope Valley, RI. Strong signal here this one time, signing off with all details. No SSB. 11-21: WTRW-1590 Two Rivers, WI. 11-23: CHUR-840 North Bay, ONT. Heard many times. 12-4: WLAND-830 Courtland, OH. Also quite often, 12-5 WZBO-1260 Edenton, NC, and 1-23: WFKB-1180 KY. This one heard a few times; never could get the city, always call ID only. The above are all afternoon catches, like from three o'clock on. 1-9: WYNC-1540 Whyteville, NC. This caught at 9 am. Most everyone know where KYW originated, Chicago to Philadelphia to Cleveland to Philadelphia. Way back in the early twenties before KYW in Chicago, there was KFKX Westinghouse in Hastings, NE. I remember KFKX giving announcements of shutting down to build a station in Chicago which would be powerful enough to serve all of the midwest. And that was KYW, Westinghouse. 73's.

B. G. "Bill" Smith - Rt. 1, Box 33 - Herrin, IL 62948

Hello again from So. IL. I am now into my 5th year as a member of the NRC. I have enjoyed it very much, but was disappointed this year when we did not have an NRC calendar for 1986. I had purchased the other 3 and used them to keep a record of my

DX'ing. Speaking of DX'ing, I recently hit #1000 AM, American, which turned out to be KCFI Cedar Falls, IA, a 500-watter. (Congrats, Bill! -pls) I was trying for another station when it just popped in like stations will do when you are DX'ing. It never ceases to amaze me, and is definitely one of the most enjoyable aspects of ECB'ing. I have now received stations from 42 of the 48 contiguous states, 27 from 5 Canadian provinces, 15 from Mexico, and 10 from Cuba; also 1 each from the Bahamas, Netherlands Antilles, and R. Antilles. I live in an excellent area for DX'ing, a small-town, rural area, 100 miles from the nearest large city (St. Louis), and in the "heartland of America", which KFPS in Cape Girardeau never gets tired of telling us, ha. I have received stations from such diverse areas as WBZ Boston to KNBR San Francisco and KGHL Billings, Montana, to WQAM Miami, FL. The states I have not DX'ed are WA and OR (probably never will), Idaho (still a chance here) in the Pacific Northwest, and Maine, New Hampshire, and Vermont in the Northeast (not too good of a shot here, either). I have done all of this on 2 radios, a Realistic TRF #12-655, and a GE Superadio 7-2880. So Paul, Mike, Sue, etc., keep up the good job you are doing running the real operation of our club, the "good old" NRC. Good luck and 73 to everybody. (Thanks for the kind words, Bill. Try for KOMO-1000 WA and KBOI-670 ID at SSS if you can get a null on your Chicago semi-locals; they sometimes blasted into Kansas in late fall especially -pls)

Ronald Purdue - Route #1, Box 224 - Byron, MN 55920

Time for another Musing. Finally got an FRT-7700 Antenna Tuner for the FRG-8800 a couple of weeks ago (Jan. 24). A slight improvement on MW and a moderate improvement on the longwave band. Even so, no definite loggings of TA's. However, on the 14th, a very weak het on WLS-890. Still suspect Algiers on 891. Used the Palmcr loop antenna and the ECSS mode on the FRG-8800, SIO only 111. Heard again on the 29th but abruptly left the air around 0100 GMT. On the 12th, WNOX-990 in Knoxville, TN was running "American Country-40 Countdown" with no ID's on the hour and half-hour. All I heard during those spots were Tru-Value Hardware Store ads. They were finally ID'ed at 2150 EST. I wish I could increase my LW antenna from 55 feet to 120 feet or so, but there trees in the way between my shack and a storage building out behind my shack. If I could make that feasible, I should pick up TA's more clearly on both long and medium wave. 73's.

Jammed station wins \$84,000

WASHINGTON, D.C. (AP) — A claim for a federal payment of \$84,000 to Miami radio station WIOD, which is being jammed by Cuban radio signals, was certified Friday by the Federal Communications Commission.

The money would reimburse the station for the cost of changing its transmission facilities to override the effects of radio interference by the Cuban government.

WIOD is the third station authorized to receive the money authorized by Congress when it set up Radio Marti to beam news and entertainment to Cuba.

After certification, the commission forwards the claim to the U.S. Information Agency for payment.

Joe O'Connell, a USIA spokesman, said none of the stations has been paid because Congress has never appropriated any money for that purpose. The Reagan administration did not ask for any money for the fund in its 1987 budget request sent to Congress this week.

"We are still trying to figure out a way to address the issue," O'Connell said.

The FCC said it discovered that WIOD, which operates at 810 on the AM dial, "receives widespread Cuban interference throughout the northwestern, western and southwestern regions" of the area it serves in the daytime.

VIA DOG BEARD

DES MOINES SUNDAY REGISTER ■ Feb. 9, 1986 / 3B

VIA DOG BEARD

Information from the National Weather Service and Tripp-Moore Weather Center
National Weather Service 24-hour recorded report (515) 286-8988

Magnetic storm hits

BOULDER, COLO. (AP) — One of the strongest geomagnetic storms since 1978 disrupted communications across much of the northern United States on Saturday, a spokesman at the National Oceanic and Atmospheric Administration said.

The disruption of the Earth's normal magnetic field meant problems for satellites, radios and aircraft, but also meant a "northern lights" display much farther south than usual, a spokesman at NOAA's Space Environment Services Center said.

The spokesman, Bill Brennan, said this week's storms — the worst of which started at mid-afternoon Saturday and was expected to last 24 hours — were linked to a series of powerful solar flares this week.

In a geomagnetic storm, a surge of energy from the sun enters the earth's magnetic field and causes all sorts of electrical interferences.

While such a phenomenon can also mean

difficulties with power distribution and phone lines, engineers monitoring such systems can make adjustments to deal with the problems, Brennan said.

The aurora borealis from Saturday's storm was expected to be overhead in the latitude that encompasses both New York and Chicago, Brennan said.

In fact, the storm's intensity meant that "if the skies are clear, you will be able to see an aurora from almost anywhere in the United States," Brennan said. Unfortunately, a storm system meant cloud cover over much of country, he added.

"We're told that above 40 degree latitude, radio communications people are experiencing real problems," Brennan said.

The atmosphere becomes denser in such a storm and causes satellites to stray from perfect orbits. Adjustments must be made to continue the same level of service from the satellites, Brennan said.

