



DX NEWS

*the magazine of the
National Radio Club*

— SINCE 1933 —

VOLUME 52 ISSUE 8 November 26, 1984

We are looking for volunteers that would be willing to put *DX News* onto tape for we have been receiving lately quite a number of requests for such from Blind radio listeners. Those interested contact us here at HQ and we will fill you in with the rest of the details. Along the same lines, we are also looking for someone who has the time as well as access to a braille machine. Again contact us here at HQ for the rest of the details.

All those that have ordered the 1985 Calendar in the past few weeks, they have been mailed and should be in your paws within the next week.

Now, onto a subject that I'm not all that familiar with, but do know a good reference book when I see one, I'm talking about *THE SHORTWAVE GUIDE* published by the Larry Miller Publication gang. Having had a chance to look it over & use it, I've found it to be quite accurate with its schedules and useful as far as just plain reading goes. It's done quite professionally with a 4 color cover! Type is large to read, especially at nite with a dim light on over the radio! And has articles in it that are useful for AM! as well as any part of the spectrum really. 12 Issues go for US\$19.95 Call 800-368-3270 (MC & Visa on phone orders only) or mail (check payable to: Miller Publishing): 424 W. Jefferson St., Media, PA 19063. Outside Canada & US add US\$12 for airmail postage. And don't forget tell them you read about it in *DX News*.

Those of you that have ordered **Membership Certificates** from Malcom, they will be shipped within the week, so don't write him or us, okay. The certificates were here at HQ and not at Malcom's, our fault here.

Radio Earth? where are they? To answer all your calls and letters at the same time, the latest information we have, just getting off the phone with Jeff, is, According to Jeff, "that Radio Earth is back on at 0300z on 11.700, plus look for us from 1700z to 2400z on **Sundays** on 11.700 KHz. The sunday transmission is new for Radio Earth and we encourage listeners to let us know how the signal is coming in." The address is: Radio Earth, Box 92-2, Santo Domingo, Dominican Republic. Or listen to their program and listen for the telephone number to call them at.

CPC TESTS: Times are Eastern Local Time

The following two tests/stations would appreciate a signal comparison report on these tests as they are making a study on skip conditions and skywave patterns on the stations.

Dec 31 WETB-790 Johnson City, TN 00030-0130 w/Tones, Rock Music, ID's. Reports to: Monday C.W. Williams, WETB, Box 1716, Johnson City, TN 37603. Arranged by: Dave Schmidt

Dec 31 WJSO-1590 Johnson City, TN 0200-0300 w/5000w Non-DA, w/ regular programming Monday from Transtar Network (Adult Contemporary) - Reports to: Paxton Durham, WJSO, Box 1588, Johnson City, TN 37605. Arranged by: Dave Schmidt

Correction to Time slot below (thanks to Tom Connaster)

Dec 17 WLS-890 Chicago, IL. 0100-0600 will be off the air for maintenance & other things. Monday Arranged by Al Resnik, CE, WLS and NRC member!

THE WORLD'S OLDEST AND LARGEST ALL MEDIUM-WAVE DX CLUB

LOOK INSIDE:

- | | | |
|-------------------------------|----------------------------------|--------------|
| 2...AM Switch | 4...DQXD | 10...IDXD |
| 13...RT-1 Remotely-Controlled | Antenna Tuner | 19...MUSINGS |
| 23...HAP Page | 24...Your Name and NRC Addresses | |

Jerry Starr
c/o WHOT Radio
401 N. Blaine Ave.
Youngstown, OH 44505

CALL LETTER CHANGES

Old call:	New call:	Old call:	New call:
590 *New FL Clewiston	WAFB	1390 KJJZ CO Denver	KPPL
710 WNRB VA Christiansburg	WFNR	1450 KGCA ND Rugby	KZZJ
740 WBAM AL Montgomery	WLWI	1470 KRBC TX Abilene	KFXQ+
1080 WUFO NY Amherst	WBEB	1500 WQMS AL Alabaster	WGTT
1240 *New AL Gadsden	WMGJ	1550 WTHB GA Augusta	WFXA
1370 WVFJ GA Manchester	WFDR	1570 WOKZ IL Alton	WBGZ

+ KRBC-1470 had previously been granted this call change. However, they failed to change to the new call in the allotted time and the new call was cancelled. They have now reapplied for this change so it looks like they do intend to eventually change calls to KFXQ.

APPLICATIONS FOR NEW STATIONS

680 KY Shepherdsville: 500 D3
760 TN Spencer: 1000 D1
870 IL Sadorus: 250 D1
890 PR Ceiba: 250/250 U1
TN Frayser: 1000 D1

GRANTS FOR NEW STATIONS

590 FL Clewiston: 1000 D1
750 MN LaCrescent: 10000/1000 U4
760 NY Champlain: 25000 D3

APPLICATIONS FROM EXISTING FACILITIES

710 WUFF GA Eastman: power to 2500
790 WTSK AL Tuscaloosa: power to 5000 D1
880 KJJR MT Whitefish: night power to 1000 U2
940 KSWM MO Aurora: power to 1000 D1
990 WPIK AL Flomaton: power to 2500/1000 U2
1130 KBMR ND Bismarck: move to Lincoln, ND with 50000/5000 U4 ++
1190 WKKE MS Pearl: power to 50000/500 U2
1290 WJBR DE Wilmington: power to 2500 D1
1300 KLER ID Orofino: power to 5000/1000 U2
1350 WLLY NC Wilson: power to 5000 D3
1540 WPJM TN Adamsville: to 960 kHz with 500 D1
1560 KLLV CO Breen: to 1490 kHz with 1000/250 U1
1580 WMTL KY Leitchfield: to 870 kHz with 500 D1

++ Even though this facility is already listed in the new Log please note that it is only an application (reapplication actually) and that KBMR is currently 10000 D1 here.

GRANTS TO EXISTING FACILITIES

910 WKCN SC North Charleston: 500/500 U2, moves to Dorchester Terrace-Brentwood, SC (clarifies last week's listing)
930 WKXY FL Sarasota: 5000/5000 U4
1010 KDJW TX Amarillo: relocate XR
1060 WKKQ MN Hibbing: to 650 kHz 10000/500 U2 in Nashwauk, MN +++
1340 KSKI ID Hailey: relocate XR
1390 WDOT VT Burlington: relocate XR
1450 WHRY WI Hurley: relocate XR, still a CP
1460 WXRQ TN Mount Pleasant: power to 1000
WVAB PR Juncos: to 770 kHz 1000/1000 U4
1470 KVIN OK Vinita: relocate XR
1510 WAVB PR Lajas: relocate XR
1520 WRSL KY Stanford: to 1000 D1
1590 KWXX AR Springdale: to 2500 watts

+++ Since there was some confusion about the status of WKKQ-1060 we called the station and spoke to the manager. They are presently doing some test broadcasting on the new frequency but no nighttime operation yet, that should come before the end of the year. When the switch to 650 kHz becomes permanent, their address of Box 1060 will become obsolete, address will be West Townline Road, Hibbing, MN 55746.

OTHERNESS

820 CO Manitou Springs: application for new station returned by FCC
970 HI Waimea: application for new station returned
1040 CO Monument: application for new station DISMISSED
1080 WBTZ TN Oliver Springs: construction permit CANCELLED, scratch this one from the Log, call letters deleted
1230 WSMM TN Gatlinburg: construction permit cancelled, call deleted
1400 WNBG TN Waynesboro: application for daytime on 890 kHz CANCELLED

The economic woes continue to have an impact on more new stations, note that two above never got past the Construction Permit stage before they folded. And so it goes.

73 and Good DX,

DJMY & BKP

Jerry Starr & Buffalo K. Foonman

WVLIX • 540AM

RAR/Friday, November 9, 1984

THIRTEEN STATIONS HIT

FCC Issues \$40,500 In Radio Station Technical Fines

FCC Chairman Mark Fowler apparently wasn't kidding when he vowed before the Texas Association of Broadcasters that the Commission intends to punish "spectrum slobs" and to "never be asleep at the switch when it comes to protecting the integrity of signals" (R&R 11-2).

In the month of October, the Commission issued a total of \$40,500 in fines against 13 radio stations, including three in the top 50 markets, for violations of its technical rules. Several of the actions had been announced earlier, but were completed by the Commission staff after the stations were given a chance to respond to notices of "apparent liability for forfeiture."

Victims of the Mass Media Bureau actions were:

- KWOD/Sacramento, fined \$10,000 for building and operating a tower at an unauthorized height, failing to get permission to move an auxiliary station, and for causing spurious emissions and overmodulation.
- KFFB/Fairfield Bay, AR, fined \$10,000 for failing to cease operation during a remote control system malfunction, failing to install control and monitoring equipment, failing to calibrate instruments, and failing to ensure accurate entries in station logs.
- WYAB/Virginia Beach, VA, fined \$10,000 for exceeding its authorized post-sunset power limit.
- WLAC-FM/Nashville, fined \$4000 for unauthorized operation.

- KCCN/Honolulu, fined \$2000 for failing to respond to an FCC notice of violation within ten days.

- WBBN/Bufalo, fined \$600 for breaking rules that require a partial proof of performance measurement at least once each third calendar year.

- KGVN/Guyton, OK, fined \$600 for breaking rules that require a partial and skeleton antenna proof of performance measurement.

- WZXM/Gaylord, MI, fined \$500 for failing to make required equipment performance measurements.

- KMED/Medford, OR, fined \$500 for failing to report an ownership change to the FCC within 30 days.

- WOVO/Glasgow, KY and KLIK/Jefferson City, MO, fined \$500, and KCLR/Rails, TX, fined \$800, for failure to submit annual equipment performance measurements. KCLR was also charged with failure to maintain operable remote control equipment.

- KKCC/Clatsop, OK, fined \$500 for inaccurate logs and improperly-graded meters.

KHJ's new "car radio" format designed to drive ratings up

by Gary Lycan - The Register

KHJ 930 AM knows it has nowhere to go but up. Its new campaign — "Car Radio 93" — may steer some motorists its way, but will it drive up the ratings? "For AM to succeed, it's got to have a reason for people to listen. Just having a great format isn't good enough anymore," program director Rick Scarry recently told Billboard magazine.

According to Scarry, research showed 60 per cent of the cars in Los Angeles only have an AM radio. Luxury cars in several car rental places didn't have FM, he added. Thus, the idea emerged to appeal to listeners on the road.

Scarry promises traffic reports every 10 minutes, or after every two records. The format will be current hits, no oldies. It is no coincidence the campaign is getting under way during the Olympics.

Joining KHJ as vice-president and general manager

is Ron Thompson, ex-WHBQ Memphis. The idea originated with RKO (KHJ's owner) consultant Walt Sabo. Former newsman Jeff Hillary is replacing Danny Martinez, trade reports say.

Neither Scarry nor Thompson was available for comment at press time. KHJ has gone from country to "boss radio" over the last several months. The question is, how many drivers will have rating diaries, and how many will remember to record their drivetime habits?

You'll be seeing a lot of promotion for K-KAR radio in the weeks ahead. But it will be awhile before the 540 AM station goes on the air.

"We still have a lot of construction to do yet," said owner Saul Levine. The station will occupy 168 acres of land and have 3,000-foot-high towers in Hesperia. Best guess is late this year.

The format will be local news and traffic. CNN Radio and Metro Traffic reports will be included. "Our signal will cover Orange County," assured Levine, who also operates FM jazz station KKGQ.

Item from The Morning Call (Allentown, PA) Oct 6th via Kermit Geary

Radio station damage to insulators \$7,000

Someone who was apparently attempting to disrupt the signal of Radio Station WAEB damaged porcelain insulators at the base of two 326-foot towers, causing an estimated \$7,000 in damage, Whitehall Township police said.

A station spokeswoman said yesterday the station was broadcasting as usual.

If the vandal had succeeded in badly damaging the insulators, the station's signal would have been disrupted, police reports indicated.

The damage occurred sometime over the weekend, police said.

As Kermit mentions, "What won't a DXer do to hear the WETB-790 Test?!"

WHOT RADIO

1801 GRAND AVENUE
DES MOINES, IOWA 50308

Here is the official NRC column which matches the excitement of the story on the history of Windsor, CT. When sending your items in, please type or neatly write, leave some space between items, EST, one side of the paper, and all that. And away we go:

SPECIAL -

860 KLTQ UT SALT LAKE CITY - 10/26 0845 w/ID u/KTRB, weather and "K-Light" ID, KVVA far under, ads and light rock music, ID again at 0857 as KLTQ, listed KLTZ is in Glasgow, MT. (DKK-CA) (BW-OK)

970 KAKC OK TULSA - 10/30 2130 w/full ID into religious program, ex-KAKC.
1270 WXYT MI DETROIT - 10/30 2050-2130 very strong w/tele-talk, AI news and weather on hour, ID's as News/Talk Radio, ex-WXYZ. (KG-PA)

1290 KLIQ OR LAKE OSWEGO-PORTLAND - 11/1 0130 now on fulltime, noted w/promo for comedy, Portland hockey, was formerly a daytimer in Portland. (WOOD-HI)

1400 KEZC AZ YUMA - 10/30 0503-0600 w/ID w/mention of KJOK-FM 93.1, in/out all AM, ABC news on hour, rock music, ex-KVOY. (DKK-CA)

1570 KGCR OK PRYOR - 10/31 1817 long spiel about new studios, about making station worth listening to, Green Country Radio slogan w/anc'd CW format, ex-KMYZ. (BW-OK)

1590 KDLB OK HENRYETTA - 11/3 1626 w/AM-FM ID and CW music, dual ID as Henryetta-Okmulgee w/PM 99 mentions, ex-KHEN. (BW-OK)
KTCR OK WAGONER - 11/3 1757 w/Town and Country Radio slogan, CW music, ex-KWOK. (BW-OK)

DX TESTS -

790 WETB TN JOHNSON CITY - Not heard. (WCM-ND) Heard. (KDF-IL)
1260 WNRK DE NEWARK - Not heard. (WCM-ND) Fairly good thru WWDG/WBBG w/tones, pop music, frequent ID's. Not heard. (JM-PA) Heard. (KDF-IL)

1300 WQPM MN PRINCETON - Not heard. (JM-PA, JB-NY) Some very brief periods of tone noted between 0100-0115 but way u/WFBR/WAVZ, not ID'ed. (DS-DE)

1590 WJSO TN JOHNSON CITY - Not heard. (WCM-ND)

MIDDAY - MIDNITE -

550 WSWA VA HARRISONBURG - 11/4 1636 good w/weather and ID way o/local pest WGR. (JB-NY) Decon works good on pests! (DS)

560 KLVI TX BEAUMONT - 11/3 1834 u/KWTO w/anc'd "Another Gulf Coast Broadcaster." (JE-MO)

600 WSOM OH SALEM - 11/4 1632 very good w/political ad, weather, jingle/ID, MoR music. (JB-NY)

630 KIDO ID BOISE - 11/2 2003 national news, ID, local weather, noted w/fair signal. (JW-OR)

680 WRKO MA BOSTON - 11/4 1625 very good w/political ad, ID. (JB-NY)
690 WELD WY FISHER - 11/4 1625 xlint in CBP null w/political ad and religious music, good day conditions today! (JB-NY)

700 WCAT MA ORANGE - 11/4 1630 fair w/jazz til s/off. (BC-RI)
720 KDWN NV LAS VEGAS - 11/2 2011 very strong w/ID, local ads. (JW-OR)
730 KWRE MO WARRENTON - 11/3 1901 full data s/off, signal fair and about even w/CKAC. (JB-NY)

750 WPDY WV CLARKSBURG - 11/4 1622 xlint w/ID during break in locker room show after Steelers football game. (JB-NY) It was so brisk it even smelled like a locker room! (DS)

810 WPED VA CROZET - 11/4 1600 good in WGY null w/CW music, ID. (JB-NY)
850 WJAC PA JOHNSTOWN - 11/3 1849-1852 noted for some strange reason as running audio from WYNY-FM (NYC) but returned to regular programming at 1852 when WYNY went into a spot. (JB-NY) If they're still on the NBC net, NBC uses WYNY audio as "filler" betwixt network feeds....falls in the "screw up" category. (DS)

860 CKVL PQ VERDUN - 11/1 1742 good o/WHDH w/news in French, ID. (BC-RI)
WAOY WV OAK HILL - 11/1 1712 w/religious music, Voice of Praise. (JK-MD)
KTRB CA MODESTO - 11/2 2020-2035 fair w/talk in Spanish then to English w/ID then CW music. (JW-OR)

CBH NS HALIFAX - 11/1 1725 o/u CJBC w/CBCnews. (BC-RI)
870 WHCU NY ITHACA - 11/1 1745 w/Evening Report news program, simulcast w/WHCU-FM. (BC-RI)

880 WRPD OH COLUMBUS-WORTHINGTON - 11/4 1647 heard u/WCBS w/CW music, ID, Ohio weather. (BC-RI)

900 KCLW TX HAMILTON - 10/30 1844 noted again w/ID then ads, nice to hear this little pea-shooter twice in the same month! (BW-OK) If that's the thing your into....(DS) (JB-NY)

WKDW VA STAUNTON - 11/4 1649 on top in CHML null w/CW music, weather.
KBIF CA FRESNO - 10/29 2029 very good w/religious program then faded, again 10/30 2024 good w/The Voice of Prophecy program, noted o/u XEW/KGRB. (LHC-CA)

910 WKCX SC N CHARLESTON - 11/6 1722 good w/stock report, local news, gone at 1730 pattern change. (JM-PA)

920 KYFR IA SHENANDOAH - 11/3 1520 anc'd leaving the air for testing and equipment work, was off 1520 to 1535. (JE-MO)

CBO ON OTTAWA - 10/29 1800-1830 good w/CBC news, Booktime program w/short stories. (RKZ-IL)

CJCH NS HALIFAX - 10/31 2150-2158 way o/all w/pop music, news. (KG-PA)
WMMN WV FAIRMONT - 11/4 1615 strong w/ID during break in Steelers football game. (JB-NY)

930 WKCT KY BOWLING GREEN - 10/31 1804-1814 xlint w/local news, "News 93" ID, ads, weather, 1st time noted, evidently on U4 now. (JM-PA)

940 WNRG VA GRUNDEY - 10/31 1900 good at tail end of s/off w/mention of "The best in music, news and sports." (JM-PA)

950 WXLW IN SPEEDWAY - 10/31 1829 good w/religious program, PSA, ID. (JM)
960 KMA IA SHENANDOAH - 10/31 1810-1841 good w/WTKN-970 splash w/political ad, National weather, high school football promo, stock report, ID, PSA, no sign of WPIR. (JM-PA) Nice one, John! (DS)

970 KYTE OR PORTLAND - 10/24 2300 w/ID and Music of Your Life mention, CBS news, KPWA was off on one of its frequent lengthy break-downs. (WOOD-HI) We should be so lucky-hi! (DS)

980 KMBZ MO KANSAS CITY - 10/31 1819 fair in mess w/WTKN-970 splash w/weather, news, ID. (JM-PA)
WPHG VA BRISTOL - 10/31 1750-1752 faded up w/political ads, jingle, Top 40 music. (JM-PA)

1020 WJEP GA OCHLOCKNEE - 11/4 1740 tune in to brief s/off w/Joy Radio slogan then gone. (BW-OK) You expected them to play Lawrence Welk records? (DS)

WCIL IL CARBONDALE - 11/4 1745 s/off on top w/PM 101.5 mention, Radio 10-20 slogan, lost them when my wife yelled at me! (BW-OK) No comment....hi! (DS)

1050 WADC WV PARKERSBURG - 10/31 1700-1710 very strong in WHN's null w/news, political ad and ID then MYL. (KG-PA)

KMIS MO PORTAGEVILLE - 10/30 1830 s/off w/PM 106.3 mention. (KVJ-GA)
WDZ IL DECATUR - 10/30 1854-1900 w/slogan "Your listening to Central IL power point, WDZ" ID then s/off. (KVJ-GA) 6 minutes to say that? They must be in low gear! (DS)

1070 WDIA TN MEMPHIS - 11/4 1755 on top w/ID, news, w/KPDI very weak under them. (BW-OK)

CBA NB MONCTON - 10/29 1900-1930 poor w/CBC news, Mostly Music program w/classical selections. (RKZ-IL)

1080 KRLD TX DALLAS - 10/21 1800-1830 fair w/NFL game. (RKZ-IL)
KNDK ND LANGDON - 10/31 1835 w/WTIC w/end of news, weather, young female anc'r, poor. (CAC-WI) How do you know? She may own half the state-hi! (DS)

1100 KKLL MO WEBB CITY - 11/4 1815 nice s/off u/WWWE/KDRY, seemed to be weaker than anc'd 5000 watts. (BW-OK)

KDRY TX ALAMO HEIGHTS - 11/4 1828 actually faded up o/WWWE w/full ID in address for local fire and brimstone preacher into time check and local weather, gospel music. (BW-OK)

1130 KLSR TX MEMPHIS - 10/29 1914-1915 o/KWKH w/full data s/off and invite to tune in KLSR-FM. (WCM-ND)

WISN WI MILWAUKEE - 11/4 1706 w/Million Dollar Weekend, oldies on the Billy Boondoggle show, ID's as Radio 11. (KVJ-GA)

1140 KATT OK OKLAHOMA CITY - 11/4 1806-1829 Album rock format w/Your Rock Connection slogan, noted til s/off. (KVJ-GA)

1150 WNDB FL DAYTONA BEACH - 10/29 1805-1809 strong in WDEL's null w/news, weather, ID by female anc'r. (KG-PA) (BC-RI)

WRUN NY UTICA - 11/1 1715 good o/u WHUE w/PSA and Mohawk Valley ment.
1170 KLOK CA SAN JOSE - 10/23 2133 fair w/weather, ID. (LHC-CA)
1180 KOPI MT KALISPELL - 10/31 1935 noted w/local ads, promo for Bobcats Football, o/WHAM. (CAC-WI)

1230 KMRS MN MORRIS - 10/22 1947-1957 o/KDIX w/PSA, CW music, sports report from Mutual network. (WCM-ND)

WKBO PA HARRISBURG - 11/4 1605 good w/ID after NBC news then into pop music selection. (JB-NY)

1240 WKOY WV BLUEFIELD - 11/4 1758 MoR selection, dual ID w/WKMY-FM in Princeton into rock music. (DS-VA)

WOCB MA W YARMOUTH - 11/4 2206 w/ID at end of news, weather. (JK-MD)
1260 WBBG OH CLEVELAND - 11/4 1654 surfaced briefly w/ID "trying hard to be your favorite station". (DS-VA)

1280 WPXY NY ROCHESTER - 10/30 1952-2003 very good w/local ads, rock music, ID as 98-PXY and "your #1 station." (JM-PA)

1290 WKLB KY MANCHESTER - 10/30 1855 xlt w/KY network news, CW music.(JM)

1330 WADJ PA SOMERSET - 10/28 1729 good w/"13 DJ" slogan up to news. (JB-NY)

WTRX MI FLINT - 11/2 1838 in o/WHOT/WRIE w/ID, rare here. (JK-MD)

1360 KZUN CA MODESTO - 10/27 2230 barely noted u/KPOP w/ID. (LHC-CA)

WKMI MI KALAMAZOO - 10/30 1817-1902+ very strong thru WIXZ apparently on late power/pattern change, KMI Sports program on MI football, ads, MoR music, faded during news, do I have a shot on a verie on this? (JM-PA) Yeah, start it like this..."Hey you dummies...I heard your screw up this evening...." (DS)

WCHL NC CHAPEL HILL - 10/27 1924 Tarheel Review program, ads. (JK-MD)

KUIK OR HILLSBORO - 11/2 2102-2115 fair w/ID, election ad, sports news, high school football game. (JW-OR)

1370 KDFH IA DUBUQUE - 11/3 2005 w/Talknet, NBC news u/KGNO. (JE-MO) 10/30 1826 weak w/ID and Election Watch, CNN News. (JM-PA)

1380 WIZO TN FRANKLIN - 10/30 1849 good w/end of Univ. of TN football, ID and CW music. (JM-PA)

1390 CJOY AB MEDICINE HAT - 10/31 2242 w/phone # w/calls, rock music requests, temp. check, ads. (WOOD-HI)

1400 KART ID JEROME - 11/1 2005 good w/ID, local news, talk on agri. problems, election ads. (JW-OR)

1410 WIZM WI LACROSSE - 11/3 2015 ads, ID popped up in clear then quickly faded down. (JE-MO)

1420 WACK NY NEWARK - 11/3 1822 ID as "Your Star Station". (JK-MD)

1430 WNJR NJ NEWARK - 11/1 1924 strong w/WNAV w/PM talk program, ads.(JM)

1470 KWRD TX HENDERSON - 11/3 1816 s/off noted w/SSB. (JE-MO)

WTKO NY ITHACA - 10/30 1729 good w/local ads, news, item from local bank president on affirmative action in school district.(JM-PA)

WSAN PA ALLENTOWN - 11/4 1639 xlt w/Top 40 music, Beatles promo, ads, live remote from local McDonalds. (JM-PA) Owner of station runs about 5 or 6 of them in A-town area. (DS)

1480 WNKY KY NEON - 10/30 1759 heard portion of full data s/off w/local of studio and transmitter location. (JM-PA)

WSAY VA SALEM - 11/3 1710 MYL type format, ID as Your Station of the Stars, local ad for Roanoke. (DS-VA)

1520 KTRO CA PORT HUENEME - 10/23 2130 noted at pattern/power change then mixing w/KOMA. (LHC-CA)

KMAV ND MAYVILLE - 10/31 1825 fair w/ads, CW music w/slight trace of KMPL. (CAC-WI)

1530 WDJZ CT BRIDGEPORT - 11/1 1705-1715 s/off good in WCKY's null w/oldies, partial data s/off and SSB, 45 min overboard. (KG-PA)

1540 WSMI IL LITCHFIELD - 10/30 1810 fair at s/off w/no SSB, invited listeners to tune to FM 106. (CAC-WI)

KNGL KS MCPHERSON - 10/29 1900-1902 in KXEL null w/full data s/off and SSB. (WCM-ND)

1550 WVAB VA VIRGINIA BEACH - 10/28 1800+ fair w/rock music, ad, ID. (JM-PA)

1570 WPGM NC DANVILLE - 11/3 1720 fair w/Community Calendar program.(BS-VA)

WNCA PA SILER CITY - 10/26 1840-1845 s/off strong w/weather, closed w/Thank You For Being a Friend and no data s/off. (KG-PA)

WTWB FL AUBURNDALE - 10/27 1844 on top w/religious program promo.(KG-PA)

WKOL NY AMSTERDAM - 11/1 1715-1730 putting in a tremendous signal on PSSA power (unknown) w/rock music, ABC news, anc'd they would be on til 1800. (KG-PA)

WKXS KY VANCEBURG - 11/1 1818 xlt w/local ad, CW music. (JM-PA)

WPGM PA DANVILLE - 10/28 1758 in clear w/full data s/off. (JB-NY)

WOKG OH WARREN - 10/29 1743 xlt on car radio w/full data s/off.(JB-NY)

WQZW PA LATROBE - 10/28 1740 good w/oldies and "Solid Gold 16 Q" slogan, ID. (JB-NY)

1580 WFGC MD MORNINGSIDE - 10/28 1800 full data s/off w/owner mention.(JM-PA)

WCCP FL PUNTA GORDA - 10/27 1850-1900 in clear w/MYL type music, news by female anc'r, s/off by different female w/promo for 92.7 FM, SSB. Remember, Punta Gorda means PAT POINT! (KG-PA) OK!

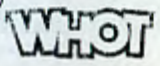
WBGB FL MOUNT DORA - 10/27 1900 in clear after WCCP's s/off w/closing anc't by woman, no data s/off w/advise to tune to 107.7 FM "for continued listening pleasure", no SSB. (KG-PA)

1590 WOCL MS JACKSON - 11/1 1820 tentative w/MYL (as on my local KBBJ), ad cluster w/MS mention, no ID heard but remember mentions noted in trip to MS last month, quickly faded, (BW-OK)

KGAS TX CARTHAGE - 11/3 1716 w/sports show mention of many TX schools, time check then gone at sunset. (BW-OK)

WASY ME GORHAM - 10/30 2035 fair w/Portland harbor weather, request line promo, u/WQQW. (BC-RI)

WPLW PA CARNEGIE - 10/28 1740 good w/ad, gospel music up til full data s/off at 1745 w/religious anthem. (JB-NY)



1600 KUBA CA YUBA CITY - 10/30 2033 fair o/u KWOW w/news, weather. (LHC-CA)

CHNR ON SIMCOE - 11/1 2140 alone w/MOR music, PSA, ID, good signal. (CAC)

MIDNITE - MIDDAY -

550 KOAC OR CORVALLIS - 10/30 0207, 10/31 0249, 11/1 0256 poor all 3 nites w/classical music w/s/off 0300 w/KOY/KMVI/UNID. (LHC-CA) We on the east coast should be that unlucky at least once! (DS)

UNID 11/1 0243 poor w/CW music, noted w/KOY/KOAC/KMVI, possibly KAFY. (LHC-CA)

560 *KSFO CA SAN FRANCISCO - 10/29 0323 noted off this AM. (LHC-CA) Oh wow! No wonder I missed them this AM! (DKK-CA)

WHBQ TN MEMPHIS - 11/4 0055-0100 w/Talk Net, ID, AP news, ID w/slogan "News-Talk Radio." (KVJ-GA)

600 CFCH ON NORTH BAY - 10/30 0603-0610 o/all w/news, sports, weather and time check. (KG-PA)

620 KWFT TX WICHITA FALLS - 11/4 0104 s/off w/choral SSB after news.(KVJ)

710 *KMPC CA LOS ANGELES - 10/29 0312 noted off this AM. (LHC-CA)

720 *KDWV NY LAS VEGAS - 10/29 0351 noted off this AM. (LHC-CA)

790 KGHL MT BILLINGS - 11/5 0725 fair w/ID, CW music, trip promo. (JW-OR)

800 KXIC IA IOWA CITY - 11/4 0900 CW music, news, weak u/splash from KCMO-810. (JB-MO)

CKOK BC PENTICTON - 10/31 0013 w/time check, ad, impossible w/usual PJB/XEROK/CHAB until 1200' LW went up. (WOOD-HI) Yes, things like that do help just a little now and then-hi! (DS)

850 CKRD AB RED DEER - 10/25 0155-0215+ o/thru KOA w/pop music, ID, KOA is seldom nullable here. (DKK-CA)

CKVL PQ VERDUN - 10/26 blasting thru w/French talk, ID. (JM-PA)

880 WRPD OH COLUMBUS - 11/1 0645 s/on w/ID and anc't to listen to daily religious programming. (JE-MO)

930 *KHJ CA LOS ANGELES - 10/29 0402 noted off this AM. (LHC-CA)

WSOC NC CHARLOTTE - 10/29 0100 very good w/The Best of King, Hits 93 in Stereo ID, Mutual news. (JM-PA)

WJAX FL JACKSONVILLE - 10/22 0331+ good u/WBEN/CKNS w/Magic 93 ID's, weather, request line #, B/Sol music. (JM-PA)

950 KPRC TX HOUSTON - 11/4 0214 s/off after college football w/"we end our broadcast week" AN w/one silent period a week? (KVJ-GA)

WAKM TN FRANKLIN - 10/25, 10/26 0704-0725 good w/local ads, news, weather, CW music, Halloween promo. (JM-PA) PS-Boo! (DS)

970 WDAY ND FARGO - 11/1 0724 talk, ads, ID then faded. (JE-MO)

990 CBW MB WINNIPEG - 10/30 0612 nice surprise w/news, ID as "CBC-Winnipeg" in local break. (KVJ-GA) A generic ID! (DS)

1010 KXEG AZ TOLLESON - 10/23 0856-0901 in clear but weak w/Praise 100 slogan and gospel programs. (WCM-ND)

1050 CPYN ON SAULT STE MARIE - 11/1 0625 very good w/MoR music, and promo w/mention "your sunshine station". (JM-PA)

1060 WPHC TN WAVERLY - 10/31 0700 very weak w/s/on. (KVJ-GA)

1090 WBAL MD BALTIMORE - 11/2 0645 atop suddenly as w/a power/pattern change, ID w/sports. (KVJ-GA) Probably was....(DS)

1130 WCXI MI DETROIT - 10/29 0656-0701 o/KWKH w/local news, sports, weather and ID, Mutual news on hour. (WCM-ND)

WKED KY FRANKFORT - 11/3 0723 in well w/ID, political ad. (KVJ-GA)

1140 WSAO MS SENATOBIA - 11/4 1100 tentative w/many mentions of "the new WSA-" and mentions of "Hwy 310", WKZF phased out. (KVJ-GA)

1170 *WVVA WV WHEELING - 10/26 0035-0130+ noted off this AM leaving only KWOO w/CW music. (KG-PA)

1200 KPNW ND WEST FARGO - 10/31 0750--0759 u/WOAI then atop w/contemporary christian music, local talk by female anc'r, ID well atop freq., UPI news, still atop 0837 w/religion. (DKK-CA) Often heard at sunset in these parts, very regular. (DS)

1230 WKHT CT MANCHESTER - 10/27 0718-0721 strong in WEEZ's null w/CW music, ID, CW news item and weather, ID's as "K-Hit Country". (KG-PA)

1240 WVOS NY LIBERTY - 11/3 0100 on top w/ID, MYL type music. (JB-NY)

WHUM PA READING - 11/5 0259 very good w/WBAX w/weather, ID. (JM-PA)

1250 *WTAE PA PITTSBURGH - 11/5 0045 after 2 months of NSP, these guys go off this AM, TT on/off then carrier off 0230, plan to check into this to find out schedule, if any, on SP. (JM-PA)

KNEU UT ROOSEVELT - 10/28 0847 w/CW music, MST time check, local traffic and news reports, bad KOIT-1260 splash, trying for over a year on this one. (DKK-CA) Sorry, I missed it! (DS)

1260 KOIT CA SAN FRANCISCO - 10/30 0129 fair w/vacation contest promo.(LHC)

1270 WILE OH CAMBRIDGE - 10/25 0750 faded up w/ID thru WCBC. (JM-PA)

WTJZ VA NEWPORT NEWS - 11/5 0100 just barely noted s/off u/WXYZ w/MYL music, ID's as "AM 12-70". (JM-PA)

KCOK OR GRANTS PASS - 10/28 0955 atop w/ID into news, also 10/31 0945, am sure it's a pest w/anyone 20 miles away from KOIT-1260.(DKK-CA) A pest it may be BUT we've never heard it here! (DS)

1290 WKLB KY MANCHESTER - 10/31 0559-0623 mostly atop w/SSB, full data s/on and weather, into CW music, clustered ads. (KG-PA)

- 1290 KDMS AR EL DORADO - 10/24 0803-0806 o/KOIL w/newswatch, sponsored weather w/car ad. (WCM-ND)
- 1310 KLIX ID TWIN FALLS - 11/5 0855 good w/ID, ads, talk of high school football awards program. (JW-OR)
- WNAE PA WARREN - 10/24 0730+ strong but fading w/news, ads, weather, MoR music, UPI sports, w/WRRN-FM ID, regular in AM. (JM-PA)
- 1320 KBUG UT SALT LAKE CITY - 11/5 0850 poor w/ID, AM stereo mentions, mild rock music. (JW-OR)
- 1340 KMAX CA PRESNO - 10/30 0132 barely audible w/severe fading, ID only thing noted. (LHC-CA) We should be so lucky! (DS)
- CKDK ON WOODSTOCK - 11/5 0036 strong, all alone w/rock music, ID.(JB)
- 1350 KSRO CA SANTA ROSA - 11/5 0842 poor w/ID, election ad. (JW-OR)
- 1360 KOHU OR HERMISTON - 10/27 0234 solid atop w/ID, CW music, stayed there till 0259 s/off, KEEN-1370 splash down this AM. (DKK-CA)
- KUIK OR HILLSBORO - 10/27 0244-0247 o/KOHU w/race results, soon lost to KOHU/KAMT. (DKK-CA)
- *WEBB MD BALTIMORE - 11/5 0200+ strong w/mixture of blues, CW, rock music, "Making Baltimore sound good" ID, format change? (JM-PA) Nah, anything goes on an ET! (DS) (JM-PA)
- WGEE WI GREEN BAY - 11/5 0200 noted w/WEBB w/CW music, ID, ABC news. 10/29 0130-0210+ BT w/various tones, no ID, strong signal o/WSPD/WFEA, WXXI on BT? (KG-PA)
- 1400 KVOF TX PLAINVIEW - 10/29 0726-0732 o/mess w/news, ad, weather, ID including KATX. (WCM-ND)
- KUNA CA SAN LUIS OBISPO - 10/30 0443 w/ID atop din w/local KRE on very rare SP, Had BFL/EZL format, in/out till my s/off 0630.(DKK-CA)
- 1420 WVJS KY OWENSBORO - 10/22 0146 w/WHK on TT, fair w/rock music, ID.(JM)
- WBSM MA NEW BEDFORD - 10/22 0236 popped atop w/ad, Talknet then quickly faded. (JM-PA)
- KUJ WA WALLA WALLA - 11/5 0820 fair w/ID, The Place For Your Favorites slogan, talk on computers in libraries. (JW-OR)
- 1430 KLO UT OGDEN - 11/5 0814 strong w/ID, sports news, ads. (JW-OR)
- WNJR NJ NEWARK - 10/22 0157 good w/s/off w/address. (JM-PA)
- WIVE VA ASHLAND - 10/24 0600 fair w/full data s/on, mentioned serving Richmond and 5 other towns. (JM-PA)
- 1440 WJL NY NIAGARA FALLS - 9/30 0600 fair/good w/s/on, ID. (KDF-IL)
- 1450 KOWN CA ESCONDIDO - 10/28 1130 very good w/Spanish program. (LHC-CA)
- 1490 *WPAK VA FARMVILLE - 11/1 0145 very strong w/TT, muffled ID's, ID'd thru phonetic ID's given. (JM-PA) And what if they didn't give them and yelled at you? (DS)
- 1510 WAHT PA LEBANON - 10/30 0615 s/on w/The Music You Love Best slogan w/ID, female anc'r. (JM-PA)
- 1520 *UNID 10/31 0104 someone o/u WKBW w/CW music cutting off w/ID, either KOE or POE....help? (JM-PA) Or IBG? (DS) (JW-OR)
- KOMA OK OKLAHOMA CITY - 11/5 0752 fair w/ID, local weather, CW music.
- WSVL IN SHELBYVILLE - 11/5 0700 finally got a positive ID on this u/WKBW. (JK-MD)
- 1550 WSES NC RALEIGH - 10/22 0642-0700 lively religious program w/ID u/CBE. (JK-MD).....11/1 0600 catching part of s/on w/ID and programming religion, soon faded. (JM-PA)
- WSER MD ELKTON - 10/25 0720 fair w/sports promo, again 10/26 0630 mistakenly on w/full power w/ABC news, news w/female anc'r, PSA, school lunch menus. (JM-PA)
- 1560 WYZD NC DOBSON - 10/24 0630+ AM regular w/s/on into bluegrass music, ID, ads, local and NC weather. (JM-PA).....10/13 0645 fair w/several ID's, phone # but not s/on. (KDF-IL)
- 1580 WTYO NJ HAMMONTON - 11/1 0620-0625 going atrong w/rock music and ad, still on Oct. s/on as Nov s/on is 0645, also 11/2 0620!(KG-PA)
- WANB PA WAYNESBURG - 11/1 0628-0635 good in WTYO's null w/news by female anc'r, weather, MoR music, also still on Oct. s/on as Nov. s/on is 0700 for them. (KG-PA) Computer foul-up-hi! (DS)
- 1590 KLIV CA SAN JOSE - 10/28 1121 good w/editorial then faded, again 10/30 0940 poor w/traffic report. (LHC-CA)
- KMTI UT MANTI - 10/27 0829 w/ID about even w/KLIV. (DKK-CA)

PIRATES -

- 840 ---- 10/28 0140+ local noted w/WHAS far under, hard rock music w/Halloween theme, no ID's heard but did into one song as K-Ghoul. (DKK-CA)
- 1632 KFRI 11/4 1830 w/rock music, ID as "Free Radio Int'l" said on 7425 khz but not sure as program was recorded, said formerly KQRP, request for reports to Box 982, Battle Creek, MI 49016. (JE-MO)

ADDRESSES -

1040 WBTW TN POWELL - Per verie, Box 1985, 1707 Depot St., 37849. (KG-PA)

1380 WTVR VA RICHMOND - 3314 Cutshaw Ave, per prepared card. (JM-PA)

RANDUMS -

KARL JETER asks what's up w/WAMB-Donelson, TN....noted 11/4 1334-1351 on 1160 WMYL but giving freq. as 1170. 1170 here has just semi-local WHNE booming in!

JOHN MALICKY is looking for an address on WABQ-1540, got any info to help that lad out?

DAVE SCHMIDTwring out!

OUR TUNERS THIS GO-ROUND -

JM-PA/John Malicky, Pittsburgh, PA/Aiwa AR158
 LHC-CA/Les Carpenter, El Toro, CA/R2000, LW
 JK-MD/Joe Kureth, Uniontown, MD/SX43, LW
 JB-NY/Jerry Bond, Rochester, NY/HQ140X2, Loop
 JW-OR/Jack Woods, Corvallis, OR/XCR30, Hot Rod Loop
 CAC-WI/Craig Cook Milwaukee, WI/FRG-7, Mini Wedge
 RKZ-IL/Rick Krzemien, Carol Stream, IL/R600, TRF, Loops
 KDF-IL/Karl Forth, Chicago, IL/HQ160, ICR70, ICF55W, Loops, LW
 BW-OK/Bruce Winkleman, Tulsa, OK/R390, Dipole
 KG-PA/Kermit Geary, Walnutport, PA/HQ180, R389, LW, SM2
 DS-VA/Dave Schweikart, Fairfax, VA/FRG7, LW
 JE-MO/Jeff Elson, Brookfield, MO/Kenwood R2000, LW
 KVJ-GA/Karl Jeter, Stone Mountain, GA/HQ150, phased beverages
 BC-RI/Bruce Conti, West Warwick, RI/R70, LW
 WOOD-HI/Richard Wood, Hilo, HI/R1000, LW
 DKK-CA/Don Kaskey, San Francisco, CA/HQ140X, SM2
 WCM-ND/Bill Moser, Wishek, ND/Zenith K731, Loop
 DS=DS/Who?

73's - Good DX!

JDE

Harold's calls haunt live broadcast

Harold, if you're still out there, you are no longer welcome at KBSM-AM in Blue Springs. Not even as a listener. They are so fed up with you they would prefer that you listen to some other station. Any other station.

Yes, they're still riled about those phone calls, the ones you made Wednesday night while KBSM was at Rockhurst High School, broadcasting the playoff game between Rockhurst and Blue Springs.

Mike Nichols, KBSM sports director, said the problems with Harold started a few minutes after 8 p.m., early in the second quarter of the football game. Because the game was played at Rockhurst, it was too far away from the station to use a high frequency radio band. Instead, KBSM rented a phone line for one night to transmit the broadcast back to the station.

Early in the second quarter, a telephone operator's voice came over the line and through the radio receiver of everyone listening to the game on KBSM: "I have an emergency telephone call from Harold. Would you please surrender the line?"

"The first time I was so confused, I said, 'OK,'" Mr. Nichols recalled. At that point, the line between the broadcaster and the station was disconnected and absolute silence occurred where an

account of the football game should have been.

Realizing what had happened, Mr. Nichols called the station again and was back on the air within 45 seconds. They were the longest 45 seconds of his broadcast career.

Once returned to the air, it took only five minutes for Harold to strike again. "I have an emergency call from Harold. Would you please surrender the line." The voice of the operator was different but the words sounded terribly familiar.

"I said, 'No, I won't. This is not the number Harold wants and you're on the air,'" Mr. Nichols said. That put an end to Harold's second attempt, as any KBSM listener could hear.

But Harold was not to be taken lightly. He was persistent, particularly where emergencies are concerned.

He tried a third time, just as the second quarter was coming to a close. Just as Blue Springs fumbled the ball at a crucial moment in the game.

"I have an emergency call from Harold," began the voice of a third operator. She got no further with the message.

"I said, 'Look, operator, this is not supposed to be happening.'" Mr. Nichols said. Quickly, he had become experienced at how to dodge Harold's emergency calls. He regained the line just in time to broadcast the closing moments of the first half.

Halftime offered no sanctuary from Harold. A few minutes into

the midgame revelry, a fourth operator intruded on the line—and the broadcast—again to inquire as to whether KBSM would surrender the line for Harold.

Mr. Nichols declined to do so as vigorously as possible, given the limitations on language placed on radio stations by the Federal Communications Commission. Then he moved to a station break or a commercial or a public service announcement—he has since forgotten which. Mr. Nichols called the station on another line and asked for someone to call the phone company and speak with a supervisor, someone who would have authority over Harold and his emergency messages.

The supervisor was told of the situation and asked to instruct all operators to disregard Harold's pleas for emergency connections, Mr. Nichols said.

That did it. Either that or Harold had finally given up. He was not heard from during the second half of the game, which resulted in a victory for Blue Springs.

Yet, the threat of another call from Harold filled Mr. Nichols with the sort of dread a coach experiences when he is 2 points up at the end of the game and the opponent has the ball within field goal range.

"I was a little apprehensive for the rest of the game," Mr. Nichols said. Just knowing Harold is out there still gives him chills.



Times are GMT For ELT subtract 5 hours. Deadline: Monday

530. COSTA RICA TICAL R. Rumbo, Cartago 0255 10/23 fair man announcer w/EE pop mx, ID as "Esta es Rumbo", ID promo mentioned onda corta, checked but 6075 QRM'edd. (Frodge)
- 535 GRENADA noted back on the air 11/13 eve. (Stutterheim)
- 550 CUBA Pinar del Rio Rebelde net playing only FF songs 0345 11/1. Threw me for a second. (Thomas)
- 610 HONDURAS Tegucigalpa R. America good w/SS commentary 0350 11/1. Many of the Hondurans have increased in strength lately; CIA tweaking the tx's, hi? (Thomas) The only way they know how to tweak xmtr's is with a bomb, hi-CH
- 620 NICARAGUA Managua Sandanista stn fair at 0356 11/1 w/ID and Woody Woodpecker sound effects. (Thomas)
- 630 CUBA CMHA/CMJN Camaguey R. Rebelde la Habana with man and woman fair o/u CFCO 0400 10/9. (Frodge)
- 630 HONDURAS R. America very strong w/nx and many ID's around 0400 11/1. (Thomas)
- 655 EL SALVADOR 0151 10/9 man announcer w/canciones de amor to 0200, ID's, nx to 0204 then variety of EE and SS vocal mx, fair. (Frodge)
- 670 VENEZUELA Caracas YVLL 0217 10/9 man with many promos, ID's, beisbol promo, pop and MoR LA vocals, more talk than mx. Fair. (Frodge)
- 680 CUBA CMIC/CMJN Ciego de Avila 0227 10/9 man w/MoR and pop vocals, beisbol promo // 690 u/WPTF. Fair. (Frodge)
- 720 COLOMBIA HJAN Barranquilla 0309 10/23 fair, man with much talk, variety of LA mx, ID "Emisoras Unidas la fabulosa" o/u WGN. (Frodge) 0125 10/8 man with ads, nortena mx u/WGN, fair. (Frodge)
- 774 UNID not sure who this was; male and mx sounded SS. Poor/fair at 0525 11/1. Looped TA. (Thomas)
- 805 HONDURAS Camaguey R. Corporacion fair w/nx 0348 11/6 and many ID's. (Thomas)
- 810 COLOMBIA Bogota HJCY 0332 10/25 man with nx to 0333 then musical news promo, news of Colombia to 0336, commentary to 0339 and world news to 0343 then ads u/WGY. Poor. (Frodge)
- 819.5 COLOMBIA Cali CARACOL off freq w/nx of Colombia 0015 10/24. Good level. (Thomas)
- 834 UNID still a mystery here. In nightly but never strong enough for audio. (Thomas)
- 845 UNID remains unknown despite nightly appearance. Very weak SS male sometimes audible but not readable. Seems to disappear after 0400. WRTN lists Ecuador and Bolivia. (Thomas)
- 855t SPAIN Murcia possibly the one with soft spoken male in unid lang and EZL mx 0537 11/1. (Thomas)
- 855.3 UNID fair carrier next to Peru 0355 11/6. HCG87? (Thomas)
- 895 COLOMBIA Santa Marta 0311 10/9 good with "Radio Galeon le gusta del pueblo", man with LA vocals, QRM de WLS. (Frodge)
- 914 SURINAM Nieuw Nickerie likely the one 0028 10/24 w/martial mx and female in unid lang. Fair signal. (Thomas)
- 945 FRANCE Toulouse in and out 0545 11/1 w/FF male. (Thomas)
- 950 CUBA Sancti-Spiritus Radio Reloj detected way under the hash 0034 10/24. (Thomas)
- 1035t PORTUGAL Lisbon presumed the one with male that sounded like PP. LA-like mx 0439 11/1 fair. (Thomas)
- 1040 COLOMBIA HJAI Barranquilla 0325 10/19 fair with "esta es Caracol, cadena radial en Colombia", news promo w/horse race trumpets, news to 0330, light mx at 0333 after promos o/u WHO. (Frodge) Who? CH
- 1040 COLOMBIA HJAI Barranquilla "Informativo de la hora" promo, ad for "el banco de Colombia", man with sports including US playoff results o/WHO, good. (Frodge)
- 1044 MOROCCO Sebaa-Aioun fair 9443 11/1 w/rhythmic mx and AA male. (Thomas)
- 1062t PORTUGAL San Salvador likely the one w/garbled PP-like male 0446 11/1. (Thomas)
- 1127 COSTA RICA TISRHB 0125 10/9 poor with Sonido Once Veinte ID, MoR SS vocals, severe QRM de WCX1 1130. (Frodge)
- 1163 HONDURAS El Paraiso 0204 10/25 poor with man and LA vocals, ID with sound effects, one with Woody Woodpecker laugh, QRM de CRL-1165. (Frodge)
- 1230 CUBA Australia R. 26 very poor but audible w/upbeat and // 1220, 0515 10/17. Local WNNY-1230 off. New here. (Thomas) About time you heard Australia-CH
- 1255 HONDURAS Paraiso R. Latina fair w/rapid-fire SS male and slow LA mx 9956 10/24. Good ID at 0100. (Thomas)

- 1260 MEXICO Mexico City R. Capital, XEL rising atop K6BX and others during WNRK DX-test try. ID's tend to be shouted. This 0520 10/29. (Thomas) Hey, all that shouting could have been Schmidt!! Hard to tell Schmidt and the Mexicans apart!! CH
- 1270 CUBA CMHD Camaguey 0212 10/16 poor with only "RR" in CW audible u/WXYT. (Frodge)
- 1302.8 HONDURAS La Lima fair w/many mentions of Honduras 0104 and non-descript LA mx. R. Rumbas ID tentatively heard. This on 10/24. (Thomas)
- 1394.5 UNID just a male voice in unknown lang barely audible 0525 10/30. Looped TA, Albania? (Thomas)
- 1404 GUINEA Conakry poor w/weird male singing 0526 10/30. This one used to be much better here. (Thomas)
- 1503 UNID poor male singing noted here 0529 10/30; looped TA, Dunno. (Thomas)
- 1510 UNID a time pip stn here 0310 10/24 and not // Cuba's Reloj net (also no "RR" in CW at top of hour). Is HTA500 Radio Minuto a time stn? (Thomas) I don't have any idea, I don't hear that guy unless he has been masquerading under the calls "WLAC"---CH
- 1555 GAYMAN ISLANDS Gun Bluff noted with s/off at 0434 10/23 w/GST0. (Thomas)
- 1557 UNID fair to poor audio 0535 10/30. Mx and male in unid lang (didn't sound FF). Looped TA. (Thomas)
- 1574 UNID poor TA carrier here 0535 10/30. Who's still on this freq? (Thomas) I have only an LA on 1574 here-CH

Thanks to Matt Stutterheim for calling his Grenada thing in. Otherwise, not a whole lot happening around here. Having no remarks of great import, I think I'll just sign off here.....

Harold Frodge-Midland, MI DX302, 185' NW-SE inverted L
Gerry Thomas-Pensacola, FLA R70, Superloop

And some other loose stuff.....

From Don Moman comes this DX report. The 9/7 stuff is from 7 Mile Flats 300 km south of Edmonton using the R71 and Beverages at 2000' NE, 1000' NW, 1000' SW and 600' N. The 9/18 logs are from Black Nugget Lake 80 km east of Edmonton using the R71 and 80' LW and 1000' SW Beverage.

A TA bandscan 9/7 from 0340-0350 showed 693, 747, 756, 774, 837, 873, 882, 891, 1008, 1017, 1026, 1035, 1044, 1125, 1152, 1161, 1188, 1197, 1206, 1215, 1233, 1251, 1278, 1296, 1314, 1332, 1341, 1377, 1413, 1431, 1458, 1467, 1494, 1503, 1521, 1539, 1548, 1566 and 1575.

- 200 England 9/7 0417 poor BBC programs.
- 218 UNID 9/7 0419 poor singing u/beacon QRM.
- 227 POLAND 9/7 0420 man in Polish.
- 702 AUSTRALIA 9/18 1314 fair jazz trumpet mx.
- 828 AUSTRALIA 9/18 1210 3GI Sales fair ABC news.
- 830 HAWAII 9/8 0654 good, in early tonight.
- 870 HAWAII 9/18 1310 KAIM good, religious program.
- 882 WALES BBC 9/7 0426 fair w/BBC style man, pop music.
- 990 UNID Canada 9/8 0507 poor u/CBW heard sports game including CFL Ottawa/Winnipeg game that was played earlier that night. Sounded very Canadian but who.....
- 1017 WEST GERMANY 9/9 0331 fair light instrumental music then man in German, very soft spoken. Good audio but didn't stay long.
- 1040 HAWAII KIFH 9/18 good, ID at 1300.
- 1044 EAST GERMANY 9/7 0404 fair with woman talking.
- 1197 WEST GERMANY UDA Munich 9/7 0406 poor with faint talk by man.
- 1314 NORWAY 9/7 0355 fair 1 KHz test tones, 0358 R. Norway IS and woman s/on at 0400. Faded quickly but nicely readable.
- 1332 ITALY Radio One 9/7 0409 poor, faint talk, could be II.
- 1377 FRANCE Lille 9/7 0410 poor with woman in FF.
- 1467 MONACO? unid 9/7 0355 fair, faded before 0400, 0418 with piano music.
- 1593 WEST GERMANY 9/7 0402 poor with man talking.

And a little note from Jim Renfrew regarding his vacation near San Diego this August says the following stations were not listed in WRTN or had a slogan not listed there.

- 950 Tijuana R. Todo
1270 ? R. Seta Trece (spelling? CH)
1310 ? XEC
1380 Tecate? XEKC La Vacara

LOCAL CHANNEL RADIO STATION IN THE STATE OF UTAH

Loc= Location	Talk=Talk Programming	FM=FM Sister Station
Call=Call Letters	Net=Network Affiliation(s)	Sports=Sports Programming
Add=Mailing Address	Shed=Schedule	CL Sig=Call Letter Significance
For=Format	Auto=Automated Programming	Logo=Audio Logo
News=Newscasts	AMS=AM Stereo	Rpt=DX Report Verifier

1230 KHZ.

-Loc=Murray, Call=KLAF, Add=4874 S. State, Murray 84107, For=Comedy, News=None, Talk=None, Net=None, Sched=24 Hrs NSP, Augo=None, AMS=No, FM=None, Sports=None, CL Sig=KLAF/Laugh, Logo=Resurrection Radio, Rpt=General Manager, Comment=Not a very friendly station.

-Loc=Price, Call=KOAL, Add=Box AC, Price 84501, For=Popular, News=Net @ 30(5), Local @ Drivetimes, Talk=None, Net=Ac, Sched=24 Hrs NSP, Auto=Fulltime, AMS=No, FM=KARB, Sports=U of UT, Col of E UT, High School, CL Sig=KOAL/Coal, Logo=Your 24 hour source for music & entertainment, we are 12-30 K-O-A-L, Price, Rpt=Tom Anderson, (f/c 4th MM 0300-0315 ELT) Comment=Hope this station offers moe when they move to 750 (by 5-85). May be difficult to verify.

1340 KHZ.

-Loc=Heber City, Call=KLVR, Add=23 W, Center, #4, Heber City 84032, For=Popular plus Oldies, News=1000, 1400, 1900(5) They have no news machine/they read the local newspaper, Talk=None, Net=None, Sched=0800-0000 Mon-Sat, 0900-1100, Auto=Fulltime(semi-assist), AMS=No, FM=None, Sports=None, CL=KLVR/Clever, Logo=Mountain Radio, Rpt=Doug Pope, Station Mgr., Comment=This is a very friendly station. They asked for more information about the clubs etc.

1400 KHZ.

-Loc=Provo, Call=KFTN, Add=1396 W. 400 North, Orem 84057, For=Mod Country, News=Net @ 60, Local @ Drivetimes only, Talk=None, Net=AI, IMN, Sched=24 Hrs NSP, AMS=No, Auto=None, FM=KBHV, Sports=L.A. Raiders, L.A. Express, B.Y.U., High School. CL Sig=None, Logo=14 K F-T-N Provo, America's most exciting country music radio station, Rpt=Engineer, Comment=This station is programmed well but it is not the most exciting.

1450 KHZ.

-Loc=Moab, Call=KMOB, Add=Box 1296, Moab 84532, For=Popular plus Oldies, News=Net @ 60(5), Local @ Drivetimes, Talk=None, Net=AI, IMN, Sched=0800-0000 Mon-Sat, 0900-2100 Sun (May go to 0200 when new owner takes over), Auto=Live assist 1400-s/off, AMS=No, FM=None, Sports=High School, CL Sig=KMOB/Moab(KURA/Uranium), Logo=Your music station with the eclectic taste, Rpt=Christine Robbins, Station Mgr., Comment=A very friendly station.

-Loc=Provo(not Provo-Orem), Call=KEYY, Add=Drawer KEYY, Provo 84601, For=Popular plus Oldies, News=Net @ 60(3-1/2), Local @ 57(3), 30(4) Drivetimes only, Talk=Sports Talk Mon-Wed-Fri 1800-1900 & L. King, Net=M, Sched=24 Hrs NSP, AMS=No, Auto=None, FM=KRMO, Sports=None, CL Sig=KEYY/Key, Logo=Key Radio, Rpt=Larson Bennett, GM, Comment=Friendly GM asked for info on Ant.

-Loc=St. George, Call=KDXU, Add=Box K, St. George 84770, For=Popular, News=Net @ 60(5), Local @ Drivetimes, Talk=Opinion Please Tues & Thur 1205-1235, Net=AI, IMN, Sched=0800-0200 Mon-Sat, 0900-0000 Sun, Auto=Live Assist(Fulltime), AMS=No, FM=KZEE, Sports=Dixie College, High School, CL Sig=KDXU/Dixie Utah, Audio=Hit Radio for Southern Utah, Rpt=L. John Miner, GM, Comment=The friendly and knowledge GM hopes to be on 890 KHZ by 1/85.

1490 KHZ.

-Loc=Ogden, Call=KJQN, Add=1506 Gibson, Ogden 84404, For=Popular plus Oldies, News=50(5) Local with network actualities, Talk=Dialog Sun 0000-0200, Net=UPI(only), Sched=24 Hrs NSP, Auto=Live assist(fulltime), AMS=Yes(Kahn), FM=KJQN-FM, Sports=Weber State U, CL Sig=None, Logo=Rpt=Tom Greenly, GM, Comment=The GM was very knowledgeable about DXing etc.

All stations are unlimited hours with non-directional antenna & 1000 watts day/250 watts night. Aith all of Utah is in the Mountain Time Zone, the time used above is ELT. No stations on 1240.

Corrections welcomed by the compiler - David Lewis, 3429 Forest, Kansas City, MO 64109



KMIS AM-FM
1000 RADIO • STEREO 106
P. O. BOX 250 PORTAGEVILLE, MO. 63873

WAGL Radio
P. O. Box 28
Lancaster, S. C.
29720

KOKO RADIO
1450
P. O. BOX 398
WARRENSBURG, MISSOURI 64092

WGOW
radio 1150
RADIO CHATTANOOGA, INC.
P. O. BOX 11292
CHATTANOOGA, TENNESSEE 37481

RT-1 REMOTELY-CONTROLLED ANTENNA TUNER

Article 1: An Initial Description

Mark Connelly, WALION

24 OCT 1984

In response to Ken Cornell's mention of varactor diode tuning in the October 1984 Lowdown, and as a follow-up to my article "Varactor Diode Applications for DXers" (earlier this year in DX News & DX Monitor), I feel that it's about time to take the wraps off a project that's been developed here at WALION DX Labs. This project, dubbed Remote Tuner 1 (RT-1), allows the remotely-controlled tuning of a loop or a wire antenna from distances of at least 50'/15 m. and possibly farther.

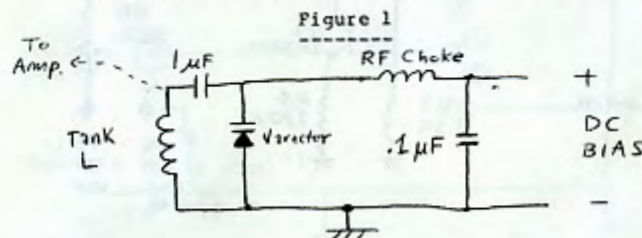
The heart of the tuner is an MVAM series (Motorola) varactor diode. I've used both the MVAM108 and the MVAM115 with equal success. Both diodes have a Cmax to Cmin ratio of about 15:1 and maximum capacitance of about 500 pF. The MVAM108 uses a bias of about 1 to 18 volts DC and the MVAM115 operates at a bias of 1 to 20 volts. Capacitance-wise, these varactors can perform admirably as stand-ins for the traditional "broadcast-variable" tuning capacitor.

It is in the realm of strong-signal handling that one must use varactors with care. Overdriving these devices can produce nasty mixing spurs, so city-dwellers beware.

I obtained my limited supply of varactors from surplus junked PC boards of an obsolete satellite TV receiver. I'd guess the price of them to be in the \$5 range but I can't immediately point the potential experimenter to a retail source.

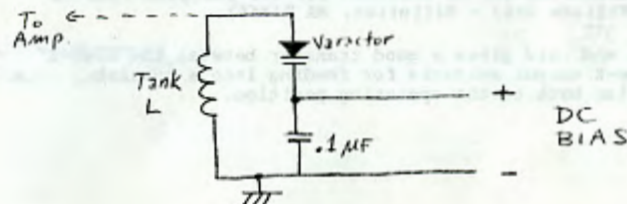
The MVAM series of varactors is described in newer editions of Motorola's RF Data Manual.

Ken Cornell suggests using the schematic of Figure 1:



If you realize that you can obtain DC ground from either end of the tank inductance, you can see that the circuit of Figure 1 can be re-cast in the form of Figure 2. This permits the elimination of one of the capacitors and of the RF choke. In Figure 2 the cathode of the varactor is at DC high / RF ground and the anode is at DC ground / RF high.

Figure 2

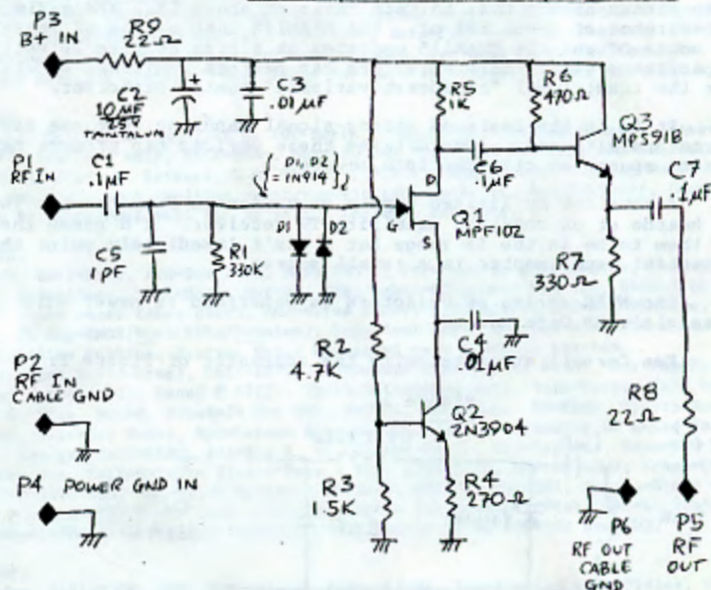


14 The DC bias is typically brought in through a resistor in the 1K to 20K range. (Remember that the varactor draws very little current, therefore, voltage drop across input resistors in this range is quite low.) The resistor, in conjunction with the .1 μ F capacitor of Figure 2, acts to filter out any RF which may be riding into the tuner on the control-voltage line.

The aforementioned circuits are all well and good, but how does one get a useful signal out of this tank back to the "shack" where the operator, control box, power supply, and receiver are located? Remember that a parallel-tuned LC network has a very high impedance (Z) at synton, or resonance. An FET-input / bipolar-transistor-output amplifier at the tuner is a common-sense solution. The following circuit (Figure 3), dubbed Front End A (FE-A) works very well for me.

Figure 3

FE-A Front End Card Schematic



NOTES: Q1 (nominally MPF102) may also be 2N5404, 2N4416, or U310.

Component designations on this subassembly are a separate entity from the designations of components on the main assembly into which the FE-A card is installed.

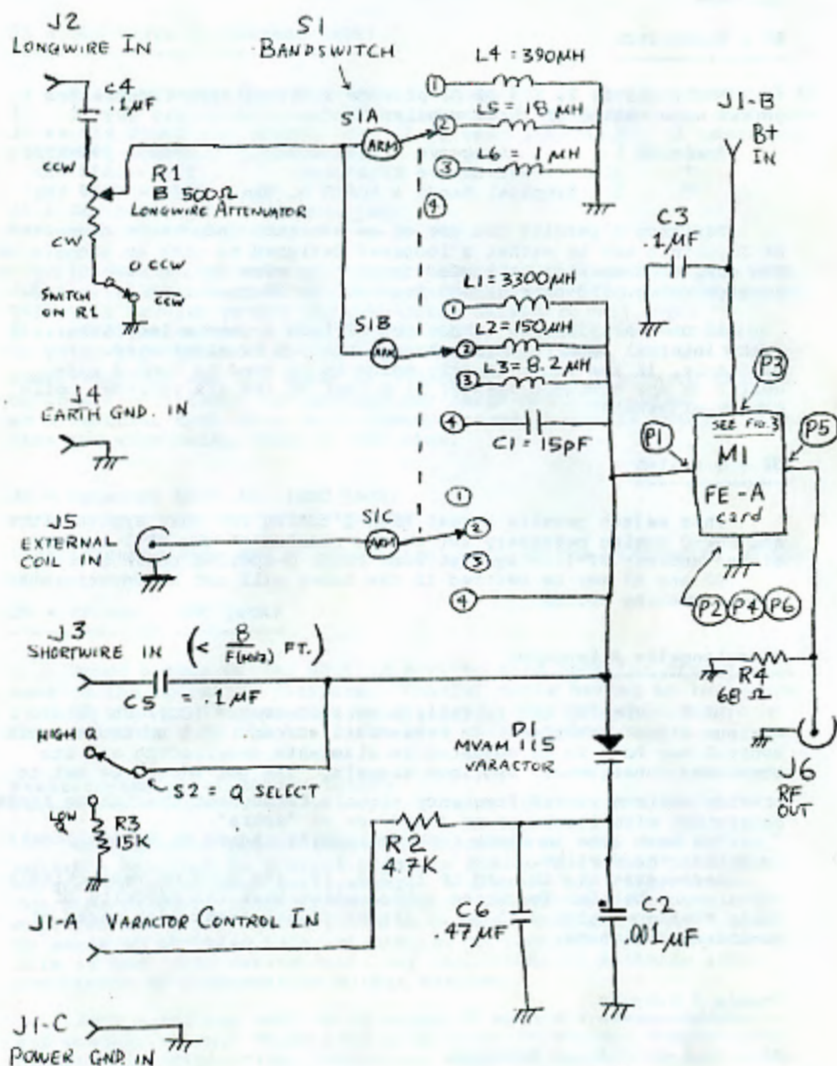
FE-A is assembled on a 1.4" X 1.4" vectorboard with chassis-mounting hardware at four corners of a 1" X 1" square. Assembled FE-A card subassemblies may be obtained for \$15 postpaid from me (address = 30 William Road - Billerica, MA 01866).

The front end card gives a good transfer between the high-Z input and a low-Z output suitable for feeding into a coaxial transmission line back to the operating position.

Prior to a full discussion of design concepts and features of the RT-1, it is worthwhile to present the full schematic of the tuner so that the reader will have a drawing for later reference. The RT-1 schematic is shown in Figure 4.

Figure 4

RT-1 Remote Tuner Schematic



RT-1 Operating Features, Design Concepts, and Limitations

Three controls on the RT-1 must be preset at the remote tuner box site (or on the box prior to "field installation"). These are S1, S2, and R1. A much more complicated remote tuner design could have been developed to adjust the functions of these three controls remotely; however, an article describing such a tuner would not be suitable as an introductory exposition of remote tuner concepts.

IN THE FOLLOWING DISCUSSIONS, REFER TO FIGURE 4.

Controls

S1 = Bandswitch

Positions 1, 2, & 3 of S1 provide internal tank inductances to permit wire tuning of three popular bands:

Position 1	Longwave Broadcast	140 - 300 kHz
" 2	Mediumwave Broadcast	520 - 1630 kHz
" 3	Tropical Bands & 80/75 m. Ham	2300 - 6300 kHz

Position 4 permits the use of an external inductance connected at J5. This may be either a loophead designed to pick up signals on its own, or a smaller coil used to provide wire tuning capability on a range (e. g. 160 metres) not provided by S1 positions 1, 2, & 3.

If one only intends to use the RT-1 as a remote loop tuner, S1 & the internal inductors (L1 through L6) may be eliminated. Similarly, if the tuner is only going to be used to tune a wire aerial on one frequency range, S1 & four of the six internal coils may be eliminated.

S2 = Q switch

This switch permits normal High-Q tuning for most applications and Low-Q tuning necessary for stable phasing of the RT-1 against either another RT-1 or against some other Q-spoiled tuned source.

S2 and R3 may be omitted if the tuner will not be incorporated into a phasing system.

R1 = Longwire Attenuator

R1 is normally set to fully counterclockwise (CCW) to permit maximum signal transfer. In areas with strong local stations, this control may have to be adjusted to eliminate overloading and its unwelcome consequence, spurious signals. The pot should be set to provide maximum wanted-frequency signals throughout the tuning ranges, consistent with little or no incidence of "spurs".

The best time to check for overloading caused by MW BCN locals is during the daytime.

Decreasing L4, L5, and L6 to 270, 12, and 0.60 uH respectively may also be helpful for those anticipating that the majority of their RT-1 operation will be in strong-signal areas with wires of considerable length.

Inputs / Outputs

J1 = Control / Power Cable In

J1 is a stereo phone jack having two "hot" pins and a ground. The control / power cable (two conductors plus a shield) terminates in a stereo phone plug which mates to J1.

Pin A of J1 accepts the varactor control voltage; this should

be adjustable from +1 volt DC to +20 volts DC. (Maximum capacitance - lowest frequency is at 1 volt; minimum capacitance - maximum frequency is at 20 volts.)

Pin B of J1 accepts B+ (power): a regulated, filtered supply of +8 volts minimum, +16 volts maximum should be used.

Pin C (ground) of J1 accepts return ground / minus-sides of the power supply and the varactor control voltage source.

J2 = Longwire In (banana jack)

A wire of length greater than (8/F) feet (where F is frequency in MHz) may be connected to J2. Adjustment of signal level coupled to the RT-1 from this jack is accomplished by using R1.

J3 = Shortwire In (banana jack)

Wires shorter than the specification for J2 may be connected to J3. If you are in an area of very strong TV & FM signals, don't use J3 as mix spurs may result: use J2 instead & tweak R1, if necessary, to remove spurious signals.

J4 = Earth Ground In (banana jack)

It is wise to connect a local ground at the remote tuner site, especially if more than 50'/15 m. from the operating "shack" ground. This will provide proper coaxial cable shielding and local electrical noise reduction. Ground rods, copper plate, AC mains or water-pipe ground (if available) should be used. If the RT-1 is tower-mounted, use the tower as a ground. Other imprudent grounds of lesser efficiency can include any large metallic object, such as a vehicle, tool shed, or a "dummy ground" longwire antenna other than the wire being tuned at the time.

J5 = External Coil In (BNC jack)

(See references to use of an external coil in the discussion of S1.)

J6 = RF Out (BNC jack)

Tuned output of the RT-1 is sent to this jack for transferral back to the operating position. Coaxial cable having an impedance from 50 ohms to 75 ohms must be utilised. The RF cable should be terminated in a 50 ohm to 75 ohm load at the receiver end.

Weatherproofing of Remote Tuners

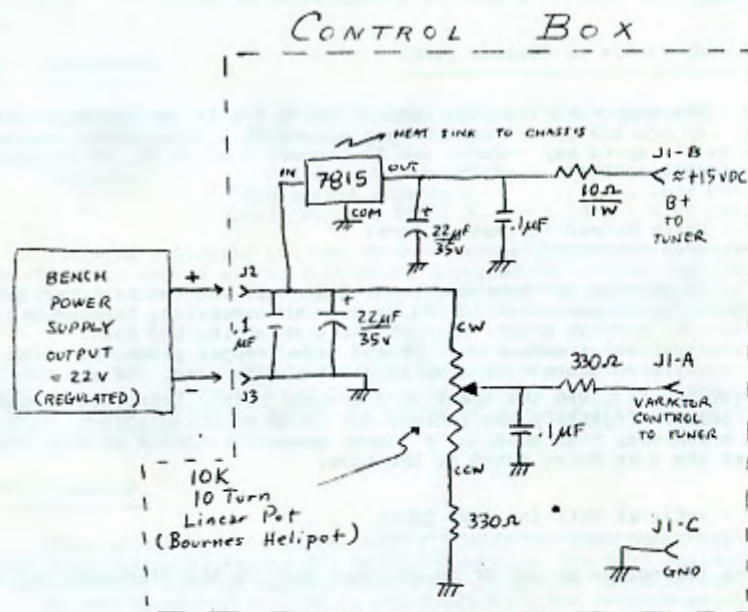
When outdoor remote tuners are considered, one must devise suitable housings to prevent moisture damage and other problems related to an outdoor environment. A plastic box with cutouts for antenna wire, control/power cable, and RF-out cable may be employed if, after assembly, it is rendered suitably watertight by means of caulking material similar to that used on bathtubs. This is best done during cool, dry conditions to minimise later occurrence of condensation within the box.

Such a box may suffice in areas of moderate temperatures and precipitation. Those living in areas of extreme temperature, humidity, precipitation, pollution, and wind conditions will have to use a good deal more ingenuity in the construction of protective housings. Some form of heating may be necessary in cold areas (this could consist of a large power resistor connected to its own power supply through a heavy-gauge cable).

The control unit for the RT-1 should provide the varactor control voltage necessary for remote tuning.

Figure 5 illustrates a sample "shack" operating position control unit.

Figure 5



A single-turn 10K linear pot may be used, but tuning is apt to be very touchy. If a single-turn pot must be used, think about using a vernier reduction drive knob (Mouser # 45KN100 or # 556S50)

Phasing applications mandate the use of a 10-turn pot.

Conclusions

Article 1 on the RT-1 remotely-controlled tuner is meant to introduce the concept of varactor-controlled remote antenna-tuning systems in some detail.

Article 2 (and possible other subsequent articles) will deal with matters such as construction of the RT-1 and a control unit. Phasing of two remotely-tuned aerials may also be considered.

The chief merit of remote tuners is that they (and the antennae they tune) can be located in areas with (1) less RF shielding from buildings or vehicles than the immediate vicinity of the operating position, and with (2) lower levels of manmade RF noise (from TV's, dimmers, etc.) than the immediate vicinity of the operating position. Those living in steel-frame high-rise buildings and those operating from recreational vehicles/boats/house trailers have much to gain by the utilisation of remote tuning methods.

The opinions expressed in this column are those of the individual writer and do not necessarily reflect those of the Editors, Publishers, or the National Radio Club, Inc., or its subsidiaries. Times are local per Muse.

And now, out of the lake for a moment for this issue of Musings, plus my own semi-useless Muse, and then it's back into the drink. I received only two Musings from New Englanders for this issue, but more Musings overall are in, some from infrequent Musers, and that's the name of the game! Remember - no lists of veries unless you've sent the information to Wayne Heinen (and, perhaps, sales items to Russ Edwards). One or two items are okay ... moderation is the key word. Deadline for #11 and the First-time Misers who've been NRC'ers more than a year is Dec. 1; for first-time Musers who've been members for less than a year Dec. 8 (#12 will be published on Dec. 31); and for the ladies and married DX couples, Dec. 15. I've no specific ideas for these issues after that, so send them in. On with it ...

Radio Roundup

Pete Kemp - P. O. Box 73 - Bethel, CT 06801 (pm 11-5; rec'd 11-8)
Greetings all and Happy Thanksgiving ... Big news in the Big Apple. Bob Grant is leaving WMCA, after 14 years of doing his talk show and is moving his act over to WABC, effective No. 15. Grant had been with the station since 1970. He antagonized his listeners for many years, but has mellowed just a bit. As soon as the news of his pending departure leaked out, he was immediately relieved of his on-air duties. His slot has been taken over on a temporary basis by veteran talkers Barry Gray and Barry Farber ... WOR has finally reached an agreement with NABET (National Association of Broadcast Employees and Technicians), this ending a ten-week strike. The employees get a 23% raise over four years and 30% increase in retirement bonnies ... Veteran Atlanta DJ Bobby Harper's days of platter-spinning has come to an end. He has recently moved on to WCNN, as a 1:00-4:00 talk show host ... KIRO has added another helicopter to its news-gathering capabilities; boy, Seattle must be a lucrative maret ... In the Hub City, Boston, WRE has give the ax to staff due to money problems. Formerly known as WME and WITS, the station is now programming a nostalgia format, using a semi-automated system; no announcers, just tape players ... December 15 will be a BIG day for many stations, as many little stations get to increase their power. In Norfolk, WPEX, WNOR, and WPCF will all gear up ... The Edward R. Murrow News Awards have been announced: Best Overall News, WEDH-Boston; Best Spot News, WKY-Cincinnati; Investigative Reporting, WGST-Atlanta; Best Continuing, KMOX-St. Louis. The awards will be presented Dec. 5 in San Antonio ... Andre Bureau, CRC (Canada's answer to the FCC) stated in a speech before the Atlantic Association of Broadcasters, that he favored de-regulation. He said, "Broadcasters are spending too much time and money in things that really have nothing to do with their service..." So much for now.

Robert Rush - 50 Pequot Road - Southampton, MA 01073 (pm 11-7; rec'd 11-5)
New loggings have begun to pick up in this DX'er's shack. These last few months have not been the greatest for the logbook! Oh, well, it is times like this which make new catches all the more precious. 10-31, WADJ-1330 at 5:36 pm and WABC-1600 at 5:31 pm. 11-1; WQMC-1230 at 5:34 pm and CHNR-1600 at 6:00 pm. With the addition of these stations, my logbook stands at 573 stations. Hopefully, I will be at or over 600 before the end of 984! The GE Superadio and Select-A-Tenna will see lots of use in the next several weeks, especially at sunset. My thanks to everyone who contribute to and produce DX News. Keep up the good work! Until next time, 73's from Western Mass.

Rick Krzemien - 814 Minnesota Circle - Carol Stream, IL 60188 (pm 11-2; rec'd 11-5)
Hi! I just joined the NRC recently, and this is my first Musing. I'm 28 years old, married, and am an electronics technician by trade. I hold a technician class amateur license - KA9IHK. Other than MW and SWBC DX'ing, I'm also an audiophile and budding amateur photographer. There are 4 new stations received here last week: CBO-920, CBA-1070, KRLO-1080, and XEEM-1580. QSL's just in from CISEL, KOFI, KOB, and WBT. Equipment used here: Kenwood R600, Realistic TRF, Sanserino amplified loop, SM-2. Total of 41 states heard with 39 of them verified. I'm interested in the new Sony SRF-A100 for stereo AM reception. Can anyone tell me if it has an external antenna jack for adding a loop? Any letters or comments on the SRF-A100 or the hobby in general would be appreciated. [My phone here is (312) 653-3057 after 8 pm CST.] As a final note - do we have any Dallas Cowboys fans out there? So long for now ... 73's and good listening.

Karl V. Jeter - 2115 Scarbrough Road - Stone Mountain, GA 30088 (pm 11-6; rec'd 11-8)
DX has begun to pick up quite a bit around here lately, with the new NW beverage working quite well. Together with the older W beverage, I can phase the two; however, I am not getting very effective phasing with this new arrangement. Being very non-technical, I am not sure why this is ... I do know that at one point the wires cross each other with a foot or so separating them, so I wonder if this might be creating a problem. Some of the DX I am about to report will be in the general NW direction from here: 10-30: while dressing, I had the rx tuned to 990, and was pleasantly surprised to hear CBW, ID'ing as "CBC-Winnipeg" at 0612. Though unnn here, hasn't been hrd in several years. That eve, a pair on 1050 not hrd in some time, KMIS with an 1830 s/off and later WDX in quite

well for a rare showing with a slogan, "Central IL's power point." Sat. morn, 11-4 was interesting, although nothing new: WBBQ-560 was on 0055 with Talk-Net and AP nx, so added to logbook. WMP-620 noted s/off 0104 after nx, with a choral SSB at end. Seems rare to hear an after midnight s/off any more, so I always stop, even when an unstation. KFI-640 made a brief showing same morn at 0128 with rar, at times topping Mr. Cuban ... I have a tape of KFI made last fall with them at almost local-like strength! The tape is so good it is now in my aircheck collection! KFI, at least around here is about the only regular and dependable WC'er. (Yep, it IS dependable, hi -pls) KPRC-950 noted also on 11-4 s/off 0214; in their annt they mention that this ends their broadcast week, so I wonder if this is a change from their listing in the new log? 1-4 eve brought in WISN-1130 very nice 1706 with oldies on the "Million Dollar Weekend". I did a little daytime DX'ing on 11-4 and got a few oddities; on 1140, at 1100, someone with cww, ment. "The new WSA-" and several ments of "Hwy 310". The only thing that would seem to fit is WSAO-Senatobia, MS, but nothing definite - not bad for a midday catch if indeed WSAO. On 1160, a good signal noted 1335 with "MOYL" turned out to be WMB; however, one ID mentioned 1170 kHz, so I am not sure if they have changed freqs (again) or I had some type of spur or image? The signal was consistent and at times quite strong. Recent veries in include a nice v/q from WFFB-910, v/1's from WBBW-1040, WFTN-1160, and WMMW-730. Time to get outta here! 73's.

Greg Ledbetter - Box 953 - Purvis, MS 39475 (pm 11-3; rec'd 11-8)

Greetings once again to all. I'd almost put Waynesville, NC up there at the top because that's where I was October 9-27. It was a work trip but I did get a chance to DX - mostly at night. Thanks go to **Dave Schmidt** for answering a question I have pondered for a while. Here at home I listen to KLOU-1580 at night, and until I heard a "WJSD" ID on 1590 with a similar type format, I thought KLOU had broken all kinds of barriers and come through. Informing as about the Transtar satellite programming (10-22 issue, DDXD column), helped, just like solving the "mystery" I had about WJWV and WFOR and "Country Coast-to-Coast" a while back. Thanks, Dave. 52 newies were heard (that can be ID'ed; I have two holdovers - a WZRG [?] around 1230 or 1240, and a WJVI or WJVI around 1530-1550 mentioning areas in the Carolinas. Any help on these would be appreciated). Some of the selections included WKNT-1390 TN; WANC-570 NC; WABV-1590 SC; WOIC-1320 SC; WHIO-1290 OH; WSJS-600 NC; WCHS-580 WV; WXY-1240 SC; WIS-560 SC; WANS-1280 SC. This trip brings my total to 1106 heard, number 1100 being WZGX-1080 Lenoir, NC at 5:49 EDT, 10-23-84 - almost two whole years to log another hundred. CHXL-900 became Canadian #3 (behind CKLW and CHLO), coming in from Maggie Valley. WFM-1580, Pascagoula, MS became Mississippian #4 to be received outside the state (behind WELI-930, WEP-940, and WOKJ-1550). KRNG-740 Tulsa, OK and WBAP-820, Dallas/Ft. Worth, would be considered westernmost extremes. I wish I could travel like this every year, after Las Vegas and Florida gave me 200 (estimate) new ones - I could log a hundred a year (maybe). I have heard almost everything in Alabama, Mississippi, Louisiana, and Florida. Smaller stations in a line from Columbus, MS to the Georgia line going north are all I lack in Alabama. WIRT-860 is still missing. I thought I might have had it under "Sunshine WYDE 85" but they wouldn't ID. While on "WDB-85" they have a religious-type format now. On 10-9-84 we were listening to oldies, but instead of oldies coming back through - voila! new format. That's about the third or fourth REL station in Birmingham on AM that I've noticed. Of that type format I usually tune to WJUC(FM) when I'm there. The AM band is usually silent between Meridian and Tuscaloosa as well, or so I've noticed. One disappointment I had in North Carolina was not being able to null WEL around sunset by pulling the Kannapolis, NC station in. My total for that state alone is 27. South Carolina is about the same. Not bad for a three-week trip, hi. I may be going back by the time this gets out. Whether I do or not, I would like to hear from DX'ers in eastern Tennessee, Western North Carolina, or the "Upstate" section (Greenville, Anderson, Spartanburg area) of South Carolina on your experiences. DX'ing in the mountains was a new experience for me and I'd like to hear others comment about their reception extremes and the like. More later on. 73.

Harley Ryan, Jr. - 4178 Chandler Dr. - Columbus, OH 42313 (pm 11-7; rec'd 11-9)

Hello again to everybody. This is my second Muse; being in the NRC only three years, I don't have much to add yet. I am a bachelor and will be 64 next month. have been in the TV and radio service business for a little over 40 yrs. Will pack it up in Dec. '85, then will hope to have time to listen a lot. Did a lot of listening from about 1936 thru 1948 then found other interests. Took it up again four years ago. I got into computers last year, so did no DX'ing at all. I have a Drake R7A, Sony MR9300W, 75-ft. LW, and Dymek Ampl. Vert. The only pests I have are WENS-1460 a mile away and WFTN-610 that splashes from 580 to 630. Except for limited ant. space I have it pretty good. I have all the parts for a 4-ft. loop and 20-ft. vertical helical. All I lack is the ambition to build them. My best catch so far has been WMMF-1600 in Key West, FL, 500 w. I've sent for a few veries but so far the results have been zero. I'll keep trying; even a blind pig finds an occasional acorn. While I was still in school about 1937-38 a local farmer named Snake asked me to fix his radio. He said it changed volume every time a light was turned on or off. The radios then all needed a long ant. and a ground. He had neither. Told him it needed an ant. What's that, he wanted to know. Told him it was a wire stretched from the

top of the barn to the house and connected to the radio. What's it do? I explained to him it picked up the signal from the station. No, it don't, he said, it comes in that wire, pointing to the AC cord. Was telling him that only supplied power for the tubes when he yanked the cord from the socket. Quit talking, didn't it? So did I. Good DX'ing - Harley. (I like both your attitude and your stories ... keep 'em coming! -pls)

William C. Moser - Box 245 - Wishek, ND 58495 (pm 11-6; rec'd 11-9)

My goal of doubling my OR veries was accomplished with the receipt of a v/1 and CM from KZZR in Burns. In his letter, Todd Mikkelsen lists the sked as 6:00 am to 11:00 pm FLT. Their format is cww. Here is a DX oddity; in one 24-hour period, without intending to do so, I logged KKAN, KANN, and KAAV! On November 4, KKAN-1490 was heard at 6:45 pm CST. This station is already verified. The following morning, I heard KANN-1090 from 8:37 to 8:44 am. I have heard this gospel station before, but didn't have enough to send a report until now. Then, from 4:40 to 4:50 pm CST on November 5, I taped KAAV-870, a station I had never heard before. This coincidence reminded me of a contest held during the first year of my NRC membership (in the fifties) in which DX'ers were to get as many stations as possible with DX in their call letters. I would like to nominate KFAM-700 as the station with the most effective directional pattern. I've been trying to pick them up for the contest, and before KRWV begins broadcasting, but no sign of them here so far. (They are fairly strong here -pls) Good listening to you all from Dakota Territory.

Niel Wolfish - 3900 Yonge St. #706 - Toronto, ON M4N 3N6 (pm 11-5; rec'd 11-9)

The above address will be in effect as of December 13. Moving, coupled with school work, has severely limited time for DX'ing. Logbook shows only two new catches this season thus far. WJLS-640 was heard at 1 am on September 29, and I finally caught WJEX-1580 on October 5 at 7:0 am with local nx and Billy Joel nx. I haven't spent much time trying for my favourite type of DX, sunset skip. Would like to log another daytimer from Oklahoma (to add to KVVU-1500), or just log any daytimer from Texas, Kansas, or farther west. Of course, it will take great conditions for this to happen. I have found in the past that good sunset skip days in Toronto will yield the Alabama, Arkansas, and Mississippi stuff on open frequencies (such as 1550 and 1580). However, as sunset moves farther west, either the Canadians appear on the frequency, or a Colombian appears for awhile. Another favourite spot to DX and listen to is 640. I'm trying to get YVOQ - "Ondas Porten[DS]" or Gadeloupe in long enough over WJLO and Cuba so that I can send a good reception report. On October 10, I had Gadeloupe dominating 640 between 9:48 pm and 10:10 pm. I sent a report, but it probably wouldn't hurt to send another one if I can get some more verifiable program details. I have also found KFI and TGW in fairly well on 640 right around sunrise. Unfortunately, local CPTX does a pretty bad destruction job on 640 with its splatter most of the time. For some reason, 650 and 660 are easier to listen to, even though they are closer to 680. I really enjoyed IDXD in the October 29 bulletin, especially the **Neil Kazaross** loggings. 73's.

Jim Paige - 15775 Nicolai - East Detroit, MI 48021 (pm 11-7; rec'd 11-10)

Greetings from Tigertown! I have been a member of the NRC for nearly two years now, and a DX'er for 11 years. I first became interested in radio when I was 8 years old and listened to WEL and Charlie Douglas. Since then I've heard close to 1500 BCB stations from 44 states, 8 provinces, and 28 countries. I'm looking forward to this DX season; last year I was able to pick up two new states, Maine and Washington. I hope to pick up a few more western states this year. I've had experience in radio myself from behind the "mic"; I worked at WIMO Winder GA, 1300, as a disc jockey, newsmen, production assistant, and just otherwise a jack of all trades. I stayed at WIMO for two years before moving back to Michigan in August of 1983. My air shift was 7 1/2 hours. Never a dull moment in Detroit radio; the latest ratings book has WJR at Number 1 with a 13.8. Other AM'ers have WXYT in 5th place with a 5.1, and WJW in 9th place with a 4.6. WJND ended up with a 2.3 share, while WJCI had a 1.7 share; CKLW suffered with 0.7. Major shakeup at CKLW/CFXX; the two stations have been losing 1 million to 2 million dollars annually, so the two were sold. 29 of the 80 employees are now unemployed, and the stations will be switching to an automated music of your life, easy listening format. Deano Day is back home at WJCI; his first day back was October 1, and CKI had an open house celebration. WJR's J. P. McCarthy is top morning dog in Detroit; his show pulled in a 14.8 rating. Radio history was made when after 54 years WXYZ became WXYT. On 9-10-84 at noontime, the new calls took effect, marked by a splashy lawn affair with limousines, champagne toasts, and a farewell salute poem read by the station's veteran general manager and new owner Charles Fritz. No changes are planned for the talk-formatted station. By the way, the target date for CKLW/CFXX to MOYL is November 24. Conditions seem to be improving in November, after a dismal October. May I propose a toast to the 1984-85 DX season and to the 1984 Detroit Tigers. Bless you, Boys!

Ed Kowalski - 3300 Chesterfield Road - Philadelphia, PA 19114 (pm 11-7; rec'd 11-10)

My last Muse was so many years ago, I thought it time to hit the typewriter. I'm 43, married, and have been DX'ing for 31 of those years. Having not been born with a silver spoon in mouth, or much money in my pocket, my early DX equipment consisted of

multi-and console radios, of '30's vintage, procured at the local thrift shops (those receivers would be valuable antiques, today!). Current equipment includes two HQ-180's, and a recently acquired R-390A for the BC8. The R-390A had been mishandled quite a bit by whomever owned it (NEVER believe anyone selling equipment at a hamfest! It's AS IS all the way.) At any event, after replacement of the 2 kHz mechanical filter (\$50 used), a TOTAL realignment, and several incantations over the beast, a receiver of great performance was had at a bargain price (total outlay: \$150.00). Another recent acquisition was a Radio West loop - a real improvement over my old DU-1 loop. Nulling out local KYW-1060 brought in the Dane on 1062, until pattern change after SS on 10-31 of KYW made reception impossible. Nulling out WOR-710 brought CJRN and CIPC, the evening of the same day. All I can say is, if you can afford it, get it. It's an outstanding loop! My job is as supervisor of electronics for the City of Philadelphia, being involved with radio communications and CCTV. I am always willing to offer repair advice to anyone on most pieces of receiving equipment (the older, the better). An SASE would be appreciated. Detailed questions, with copy of schematic, if possible. 73. (Thanks for the offer, B3 -pls)

C. M. Stanbury, II - RR #1 Ridgeway, ON LOS LNO (pm 11-2; rec'd 11-8

Some more info on that location which I thought (and still suspect) to be an alternate R. Marti site. It is definitely on Sugar Loaf (as I originally stated) rather than Saddle Bunches. There are only two towers: that third tower which shows up in the first picture is another installation entirely. The two towers are on a roughly north/south line. Assuming conventional engineering practice; this means that they are either beamed toward Cuba with a null in the direction of Louisiana/Mississippi (and Iowa) or visa versa. The latter is unlikely. In any event, the array doesn't seem to be directed at either Key West or Marathon. If this Sugar Loaf mstr is not intended for R. Marti, or some similar Cuban operation, and if someone knows who these towers really do belong to, then here is your chance to prove me wrong. I would certainly welcome the facts. Best.

Paul Swearingen - 7310 Ensign Avenue - Sun Valley, CA 91352

On hold here are Muses from NRC'ers in Mauldin, SC and Edelman, IL, awaiting the proper categorical Musings in a week or so. KRQQ-1500 still off as of 11-12. And now, back into the lake. Where's my rubber ducky, Sue? 73.

WRJZ returns to airwaves with new Christian format

By RHONDA GIBSON
Special To The Journal

April 28, 1984 was the day the music died for many Knoxvilleans.

That was the day WRJZ, 620 AM, Knoxville's only "solid gold" rock 'n' roll radio station, closed.

Six months later, however, WRJZ is back, this time as Knoxville's newest and most powerful Christian station.

The station closed when the operation went bankrupt. Dave Jones, new general manager for WRJZ, blames the previous format for the failure.

"The solid-gold programming was popular, but it needed more time to develop, and the whole thing just went under financially," Jones said in a recent interview.

The previous owners of WRJZ, Sherwood Hennes Broadcasting of Chicago, closed the operation and sold it to Tennessee Media Associates, the present owner.

Along with its new ownership, WRJZ acquired a new format, Christian programming. The station resumed transmission Oct. 1 and is currently broadcasting 24 hours a day.

"We wanted to find a void and fill it; that's why we chose this type of format," Jones explained.

Jones, former general manager of a rival Christian station in Knoxville, WITA, has been with WRJZ for only two months. He is currently serving as general manager and sales manager.

WRJZ's format now consists of about 55 percent religious programming and 45 percent contemporary Christian music. The religious programming features several broadcast ministries and instructional programs, Jones said.

He listed the "Focus on the Family" series by California psychologist Dr. James Dobson as the most popular show.

The station also devotes a large amount of time to Christian music. The emphasis is on contemporary Christian artists, such as Amy Grant and Tom Petke, but traditional hymns and instrumentals are also included.

WRJZ currently features a Southern Gospel Music show on Sunday nights. Other music broadcasts vary, but the station tries to concentrate music into the times when office workers are listening, mainly 10-11:30 a.m. and 1-6 p.m., Jones said.

WRJZ does not have a professional news staff. Nine disc jockeys handle the programming and often present short information spots, but no "hard-core" news is run, Jones said. Another duty of each DJ is to lead a prayer every hour, he noted.

Jones described the station's target market as the adult, 25-40 age group.

"We're competing with all stations, not just the other Christian stations," he said. "Truthfully, most Christians don't listen to Christian stations; they go for the secular music, so we have to compete with everyone," he added.

The new Christian format has been successful so far. "We've only been on the air for two weeks, but already we've had tremendous letter response. Our chances are excellent for getting a good share in this market as long as we work closely with the community," Jones said.

WRJZ is one of four Christian radio stations currently in Knoxville, but is the only one broadcasting 24 hours a day.

Rhonda Gibson is a journalism student at the University of Tennessee.

AKRON OHIO 44313
AKRON OHIO 44313
WHLO
2650 WEST MARKET

(Handicapped Aid Program)
Your bids and Orders for Direct Sale items go directly to the Address above, not to any of the NRC Addresses. Make your Checks and Money Orders out to "HAP". Do not send CASH thru the mail.

This Page brought to you as a Public Service of the NRC.

HAP BID ITEMS: ITEM #160: RTE Radio 2 (Ireland) sticker (3.5x6") m/c. #161: RTE Radio 2 T-Shirt (M) m/c - nice! #162: RTE Radio 2 T-Shirt (L) m/c. #163: RTE Radio 2 decal (over 5' long!!) white, red, orange. #164: RTE Radio 2 paper folder (8.5x13") m/c - nice! #165: RTE Radio 2 large plastic letter bag, m/c. #166: KEYH sticker in Spanish (3x13") m/c. #167: KLAT sticker in Spanish (3x12") m/c. #168: KLOL "Rock" sticker (3.5x12") m/c. #169: KFRD sticker (4x7.5") m/c - nice! #170: Radio Panda Milano (Italy) sticker (1.5x9") m/c. #171: RTE Radio 2 sticker (3x7") m/c. #172: WJOS plastic ID card (2x3.5") m/c. #173: KOSB (Pirate) QSL card and letter QSL, m/c. #174: KBPS 5 different studio photos - oldies! #175: Caribbean Beacon (Antigua) sticker (3x11") m/c - beautiful! #176: Radio Vigo (Spain) sticker (2x8") m/c. #177: Radio Vigo match book, m/c. #178: Radio Vigo cloth pennant 1959 era, m/c - very nice! #179: CPFL/CJSL sticker (4x13.5") red, blue. #180: CJWW sticker (3x8") blue, white. #181: CBC-Halifax QSL card (3.5x5.5") blue, B&W. #182: CBC sticker (3" cir) m/c - nice! #183: CKBS-TV sticker (2x6") m/c. #184: KIKR sticker (3x12") orange, green. #185: WTAW sticker (3x11.5") m/c. #186: KIOX sticker (3x11.5") blue, white. #187: KVLV reflective "Dallas Cowboys" sticker (3.5x4.5") m/c. #188: KPXE reflective "Dallas Cowboys" sticker (3.5x4.5") m/c. #189: KZEU sticker (4x8") m/c - beautiful! #190: KWDX/KKAS sticker (3x12") black, red, gold. #191: KORA sticker (4x7") blue, B&W. #192: KSAM sticker (6" cir) m/c - gorgeous! #193: KNAL sticker (3x11.5") m/c. #194: CKSW pen, blue, white. #195: CKSW paper folder (9x12") m/c. #196: RNE Radio 4 (Spain) sticker (2.5x4.5") black, red, yellow. #197: Catalunya TV-3 (Spain) sticker m/c - very nice! #198: Deutsche Welle cloth pennant with address (6x13.5") blue, white. #199: Radio Veritas (Philippines) paper pennant (3x5.5") black, red, blue. #200: KLVL pencil, B&W. #201: CKRD pen, black, blue, yellow. #202: Radio Sweden cloth pennant (4x9") blue, yellow. #203: WOBIS (Puerto Rico) decal (2x7") red, white. #204: Signal Radio (UK) decal (2.5x9") m/c. #205: CJBK sticker (4x6") m/c. #206: Radio Nacional de Venezuela decal (3" cir) red, white, blue - nice! #207: Radio Popolare (Italy) reflective sticker (3.5" cir) m/c. #208: DLF (FRG) sticker (6" cir) m/c - beautiful! #209: Radio Earth QSL card (3x5") B&W. #210: WBSB T-Shirt (XL) yellow, blue. #211: WKQQ hat, B&W - nice! #212: KLOS "Rock" T-Shirt (S) m/c. #213: Telecom France cloth bag, red, white, blue - useful! #214: Radio Genova (Italy) sticker (2x5") yellow, B&W. #215: Radio Italia sticker (4" cir) green, red, white. #216: Club DX Quebecois sticker (3" cir) blue, white. #217: KTAC "Seattle Sounders" poster, m/c - large. #218: WRIF T-Shirt (M) with black sleeves. #219: RFI (France) hat, red, white, blue. #220: YLPM T-Shirt (S) blue, black. #221: WRCK T-Shirt (M) blue, white, yellow. #222: DC-101 T-Shirt (M) m/c - nice! #223: Radio Sweden poster (12x17") m/c. #224: CJSH poster (17x20") red, B&W. #225: KMET large wall poster, m/c - beautiful! #226: WLLM sticker (4x14") red, orange, white. #227: Viking Radio (UK) decal (3x20") m/c. #228: CPTR sticker (3x9") m/c. #229: RFI plastic carrying bag (15x17") red, white, blue. #230: Radio Norway sticker (3x5") m/c. #231: RCT/CBC 11 different QSL cards! #232: CKUA "Choice" metal badge (2" cir) m/c. #233: CKUA "Access" metal badge (1.5" cir) orange, B&W. #234: WJOS plastic key chain, blue, white. #235: Radio Hallan (UK) metal badge (2" cir) m/c. #236: KLOX station balloon, m/c. #237: Radio Nacional de Venezuela cloth pennant (6x11") m/c - beautiful! #238: Voice of Turkey cloth pennant (4.5x8") m/c. #239: Radio Bucharest cloth pennant (4.5x7") white, orange. #240: Radio Italia sticker (3x4") m/c. #241: Radio Polonia pin, m/c. #242: Radio Northland (NZ) sticker (3x6") m/c. #243: Radio Earth sticker (3x12") B&W. #244: ADDX (FRG) sticker (4" cir) blue, gold. #245: Radio Forth (Scotland) coaster (4x4") orange, B&W. #246: Radio Peking "Mountain Village" paper pennant (5.5x10.5") m/c. #247: WHGR metal badge (1" cir) green, white. #248: WLLZ metal badge (1" cir) B&W. #249: WLLZ metal badge (1" cir) blue, white. #250: MTV sticker (4x4") m/c. #251: ORF sticker in French (5" cir) red, B&W. #252: KUHF sticker (3x7") red, white. #253: CFRC sticker (4x5") m/c. #254: Radio Bristol (UK) sticker (5" cir) red, white. #255: KPDX sticker (3x9") m/c. #256: WUVA sticker (3x11.5") red, B&W. #257: Radio Hallam sticker (1x12") orange, B&W. #258: UGAD (Puerto Rico) sticker (3x6") m/c. #259: KXYZ sticker in Spanish (3.5x11") m/c - nice! #260: Radio Nacional do Brasil sticker (3.5" cir) m/c. #261: Radio Moray Firth (Scotland) decal (over 4' long!!) green, white. #262: Radio Cleveid (Wales) decal (5" cir) m/c. #263: Northsound Radio (UK) decal (3x13") m/c. #264: Radio Devon decal (3x9") m/c. #265: HCLB sticker (3x8") B&W - nice! #266: Radio RSA sticker (3.5x5.5") yellow, black. #267: CFCN metal badge (1.5x3") red, B&W. #268: Radio Manchester (UK) cloth covered book, calendar (3x6") m/c. #269: Radio Fage (Italy) reflective sticker (2x8") orange, gold. #270: BBC Radio One (UK) match book, m/c. #271: Marcia Sound (UK) key chain, red, white. #272: KRVT metal badge (1.5" cir) red, white, blue. #273: Viking Radio newspaper, very nice! #274: RNE (Spain) soccer poster - large, m/c. #275: Viking Radio paper hat, m/c - sharp looking! #276: Marcia Sound decal (3x15") m/c. #277: Radio Earth pen, red, gold. #278: WWHI (Virgin Islands) sticker (3.5x5") blue, white. #279: Radio Evangile (Monaco) decal (2.5x3") red, white. ... Hope there is something for you in this selection... Sam.

ADDRESS: Please send your bids and orders for direct sale items to: Sam Barto, 47 Prospect Place, Bristol, CT. 06010 USA. ... Minimum order \$3.00 from overseas... please!

HAP DIRECT SALE ITEMS: The following stickers/decals are \$.25 each or any 5 for \$1.00. If your order exceeds \$5.00 you may select 7 for each \$1.00! New since last issue: BBC-WS, Radio Budapest (red) (blue) (small), KVLV, WBEW, IZB, Radio Break, CJOB (large) (small), KTAM, Radio Kuwait, CHNC, WCAL (large) (small), KKNX, WWSH, Capital Milano, KETX, KTXN, RTE Radio 2, CHAB, CJWW, KHUN (large) (small), KJCH, KTX, KDVE, KOGT, WGY, KQTI, CJME, CKND, CKOH (large) (small), RMI - FM, ARD-ZDF, Berlin Radio, Canale 5, Telecom-83, KGB, Sea Gull Radio, CFUN, RNE, Polskie Radio, Radio Highlands, Radio London, City-TV, RMI, RBI-DX Club, 4XD, Radio Caroline (black) (white), 2CH, Radio El Mundo, KALM, Radio West, RFI (large) (blue) (red) (cir), Radio 270, WQFM, KDKD, WNRV, WJNS, Signal Radio, Radio Bucharest, Radio Superstar, RTE 2, RBI (large) (gold) (silver), Telecom-Genève, DC-101, 101, Radio Newcastle, Radio Nottingham, BBC Radio 1, Radio Polonia, KBOI (large) (small), KWK, KKBX, CFMD, WMR, WDAE, Radio Bristol, Radio Rhema, KOME, KPNW, Radio Forth, Radio Victory, CFRA (red) (orange), KPLU, WPLJ, K-94, WRIF, WDR (rock), Radio Orkney, KROR, Radio Maddalena, CDDX, Radio Freedom, Amica Radio, WDFC (square) (pennant), Radio Kelly, Radio Masculinicity, WIBV, BBC Radio One, Radio 210 (large) (small), KROY (large) (small), WJMS, KWWR, WEMP, Disco-99, MTV, KZZB, 97-Rock,